

EXTA112



Collection: OLA

Finish\*:



00 - White

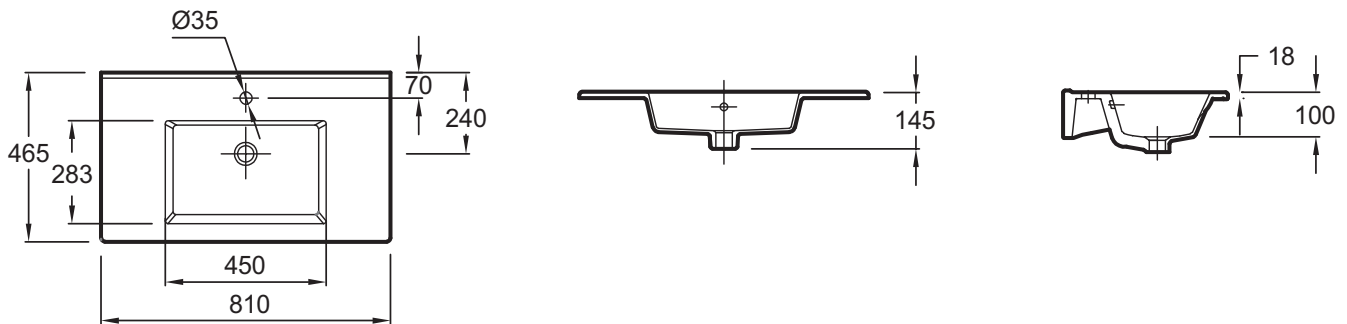
Features

- DIMENSIONS: 81 x 46.50 cm
- MATERIAL: Ceramic
- TAP DRILLING: 1 tap hole
- Non-self-supporting vanity top
- WEIGHT: 14.4 kg
- INSTALLATION TYPE: Countertop
- NUMBER OF VANITY BASINS FOR VANITY TOPS: Single basin vanity top
- Must be used with coordinating furniture

Consumer benefits

- FINENESS: Thin vanity top sits perfectly on the cabinet
- PRACTICAL: Practical wide ledge for daily use
- DESIGN: Geometric basin in a contemporary style

Technical drawing



Product Specification: Vanity top 81 cm. EXTA112. Collection: OLA. DIMENSIONS: 81 x 46.50 cm. WEIGHT: 14.4 kg. MATERIAL: Ceramic. INSTALLATION TYPE: Countertop. TAP DRILLING: 1 tap hole. NUMBER OF VANITY BASINS FOR VANITY TOPS: Single basin vanity top. Non-self-supporting vanity top. Must be used with coordinating furniture.

\*Due to possible variations in computer and printer calibrations, technical factors and certain finish characteristics, the colors you see may not accurately portray the actual colors and are provided as a guide only.