

Mixer Tap S1000 - Z85 8442 500

Mixer Taps

Code: 8442 500



DETAILS

Material Brass

Texture Chromed

Rotating angle 360°

Strengthening plate ø48mm

Cartridge With ceramic discs

Mixer hole ø35mm

Max worktop thickness 40mm

Mixer type Single lever mixer tap with rotating barrel.

FEATURES

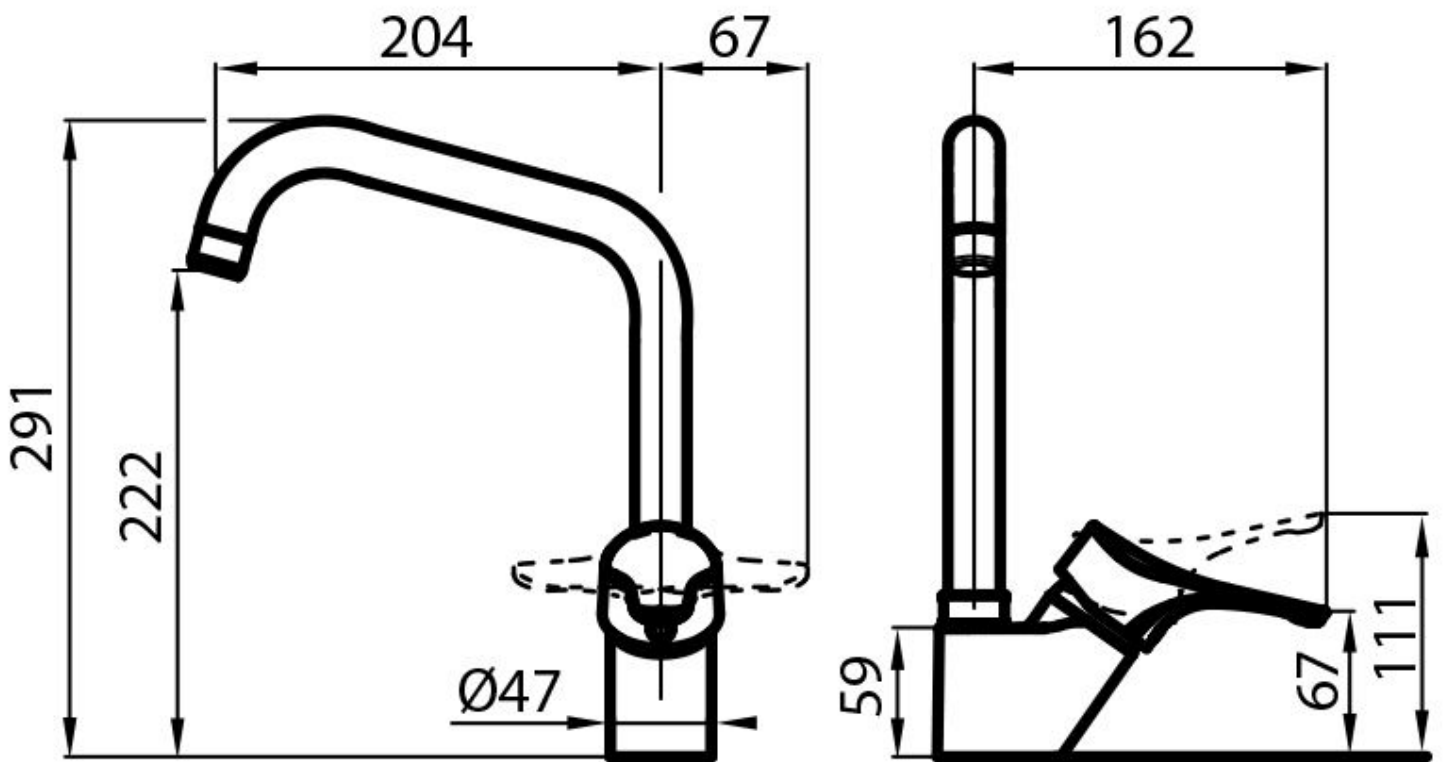
Rotating angle

All the taps have a wide angle of rotation. Some models even permit a full 360° rotation.

Strengthening plate

Foster's mixer taps are equipped with the strengthening plate that offers perfect stability on any sink.

TECHNICAL DATA



GALLERY

