

Features

- Single-speed whirlpool offers performance and value, with 6 fully adjustable jets.
- Hydromassage flow and direction can be controlled at each jet.
- Oval-shaped basin creates a graceful and spacious bathing experience.
- Molded lumbar support and armrests offer extra comfort while bathing.
- 60" (1524 mm) x 40" (1016 mm) x 17-5/8" (448 mm)

Material

- Acrylic.

Hydrotherapy

- Whirlpool.

Installation

- Reversible drain.
- Drop-in.

Recommended Products/Accessories

K-1491 Bath/Whirlpool Pillow
K-1601 Bath/Whirlpool Footstop
K-7213 27" Cable Bath Drain
K-7214 27" Cable Bath Drain
K-24916 Wireless Music Kit
K-23726 Drain treatment
K-23732 Tub & shower cleaner
K-7161-AF 1-1/2" adjustable pop-up drain above- or through-floor
K-37383 Rough-in cable bath drain, PVC, 30" cable with tubing
K-7265 Brass toe tap bath drain
K-37386 rough-in cable drain, PVC, 30" cable
K-7259 Brass toe tap bath drain
K-7166-AF Bath Drain



Codes/Standards

ASME A112.19.7/CSA B45.10
CSA B45.5/IAPMO Z124
UL 1795

KOHLER® Hydrotherapy Components Five-Year Limited Warranty




KOHLER® Plastic Baths and Shower Bases Lifetime Limited Warranty

See website for detailed warranty information.

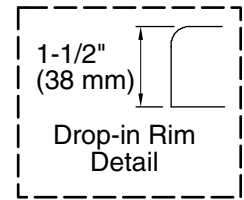
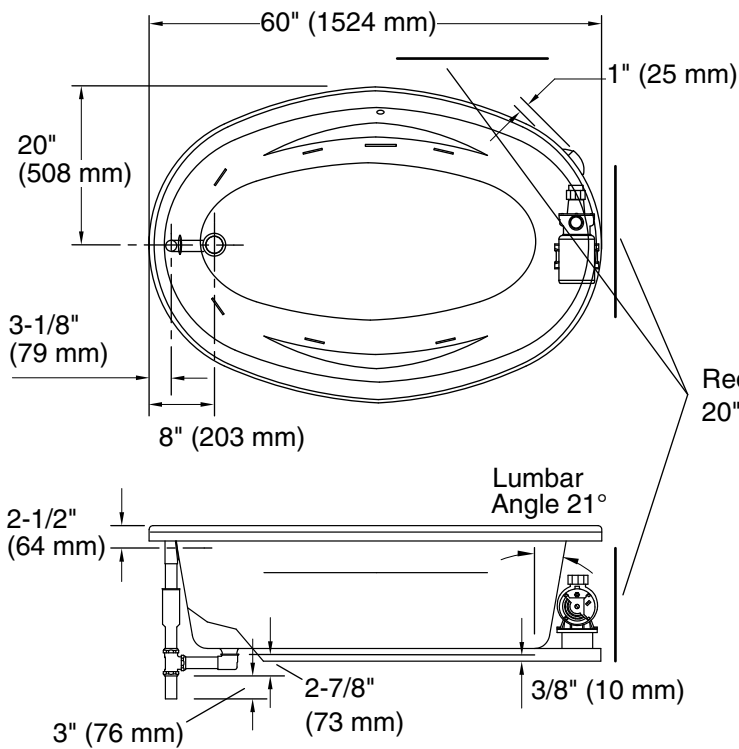
Available Colors/Finishes

Color tiles intended for reference only.

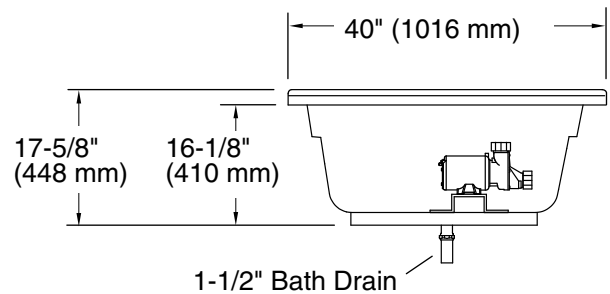
Color	Code	Description
-------	------	-------------

	0	White
	96	Biscuit
	47	Almond

No change in measurements if connected with drain illustrated. (K-11677)



Required Pump/Control Access
20" (508 mm) W x 15" (381 mm) H



Required Electrical Service

One dedicated circuit required, protected with Class A Ground-Fault Circuit-Interrupter (GFCI). Outside North America, this device may be known as a Residual Current Device (RCD).

Pump: 120 V, 15 A, 60 Hz

Technical Information

All product dimensions are nominal.

Installation:	Drop-in
Drain location:	Reversible
Basin area, bottom:	46" x 19" (1168 mm x 483 mm)
Basin area, top:	55" x 29" (1397 mm x 737 mm)
Weight:	56 lbs (25.4 kg)
Minimum floor load:	30 lbs/ft ² (146.5 kg/m ²)
Water depth:	14" (356 mm)
Water capacity:	54 gal (204.4 L)
Template:	Drop-in, 114859-7, required, included
Electrical component rating:	Pump: 120 V, 7.5 A, 60 Hz
Pump speed:	Single

Notes

Measure your actual product for rough-in details. Install this product according to the installation instructions.

The hot water supply should be 70% of the capacity of the bath or greater. Installations will vary.

The suction line extends 1" (25 mm) beyond the edge of the rim. The pump base extends 1-1/8" (29 mm) beyond the edge of the rim. Modify the framing as needed.