
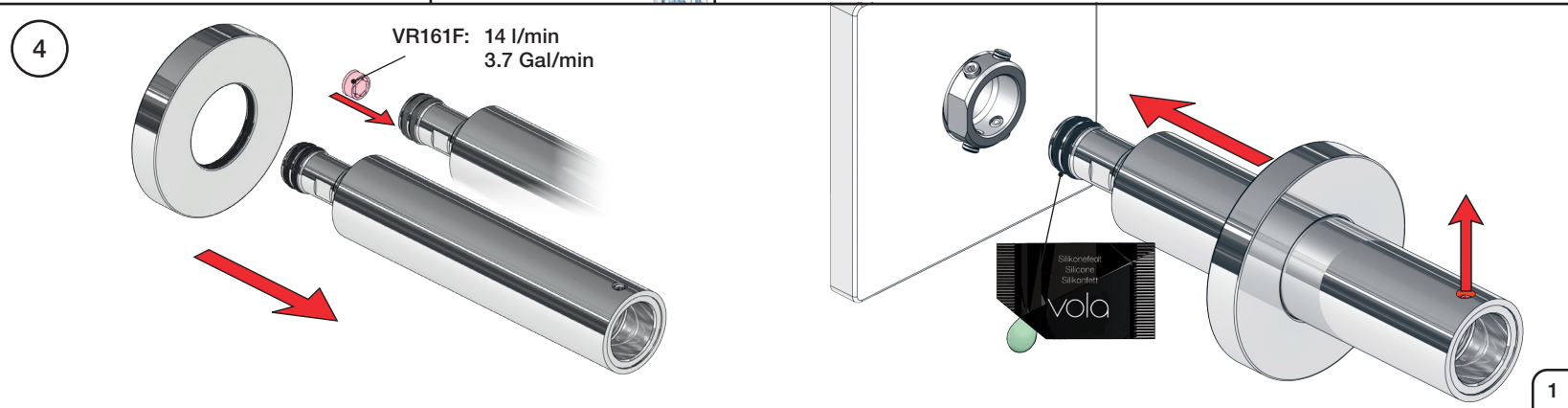
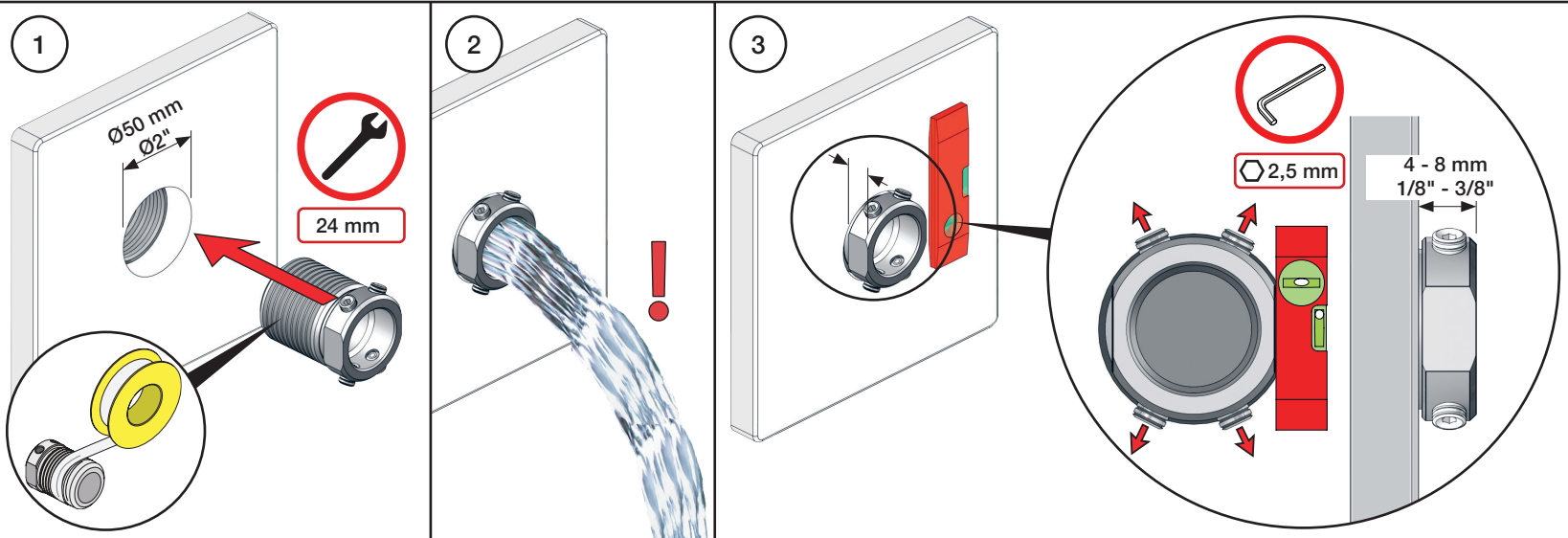
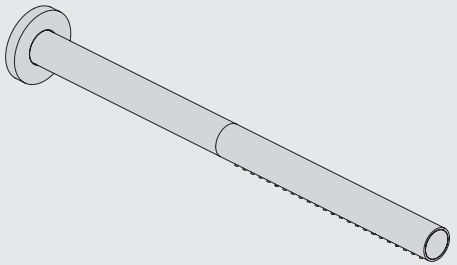
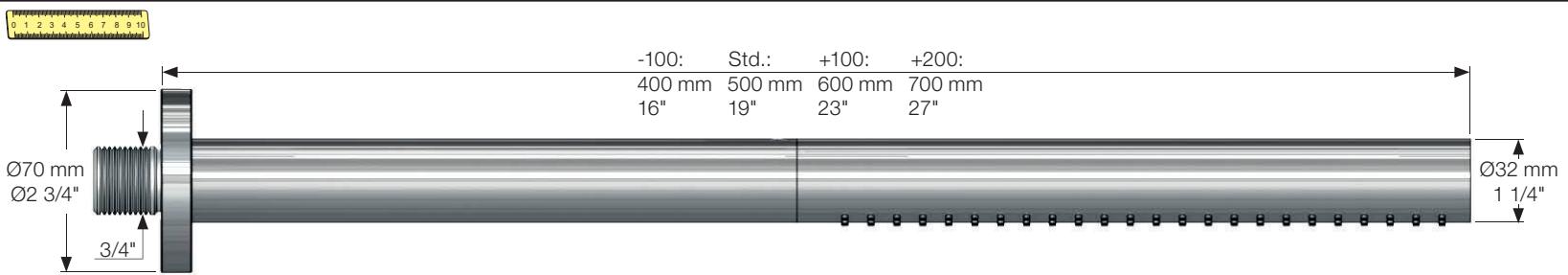
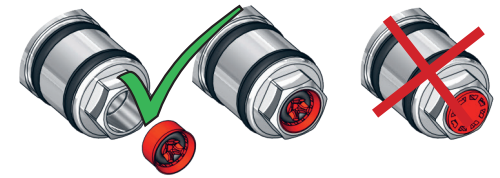


Data	Bar:	1	2	3	4	5
080ST	(l/min) (Gal/min)	14.4 3.8	20.4 5.4	25 6.6	29 7.7	32.3 8.5
	Max. 65°C, 150°F					

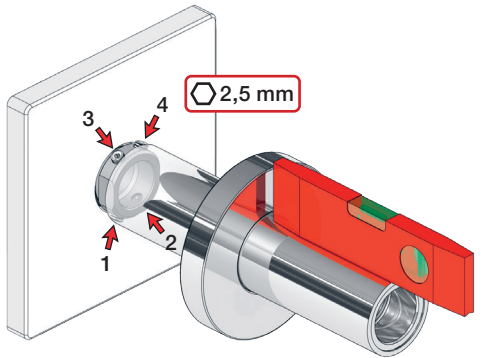


VR161:

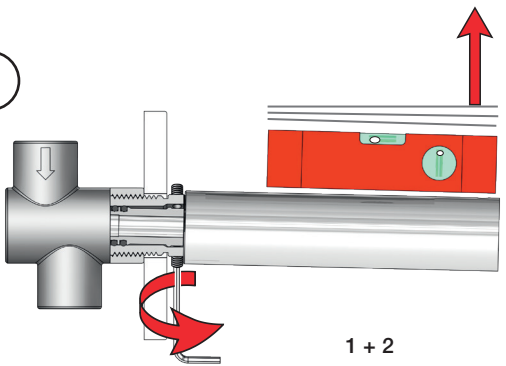
VR161K: 7 l/min - 1.8 Gal/min
 VR161D: 9 l/min - 2.5 Gal/min
 VR161F: 14 l/min - 3.7 Gal/min



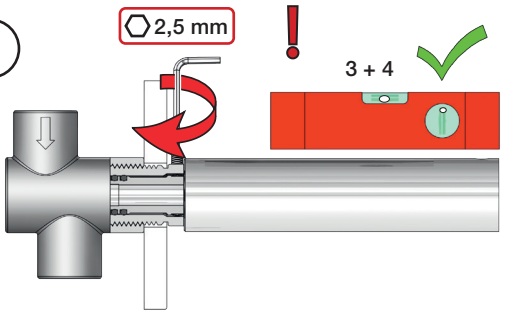
5



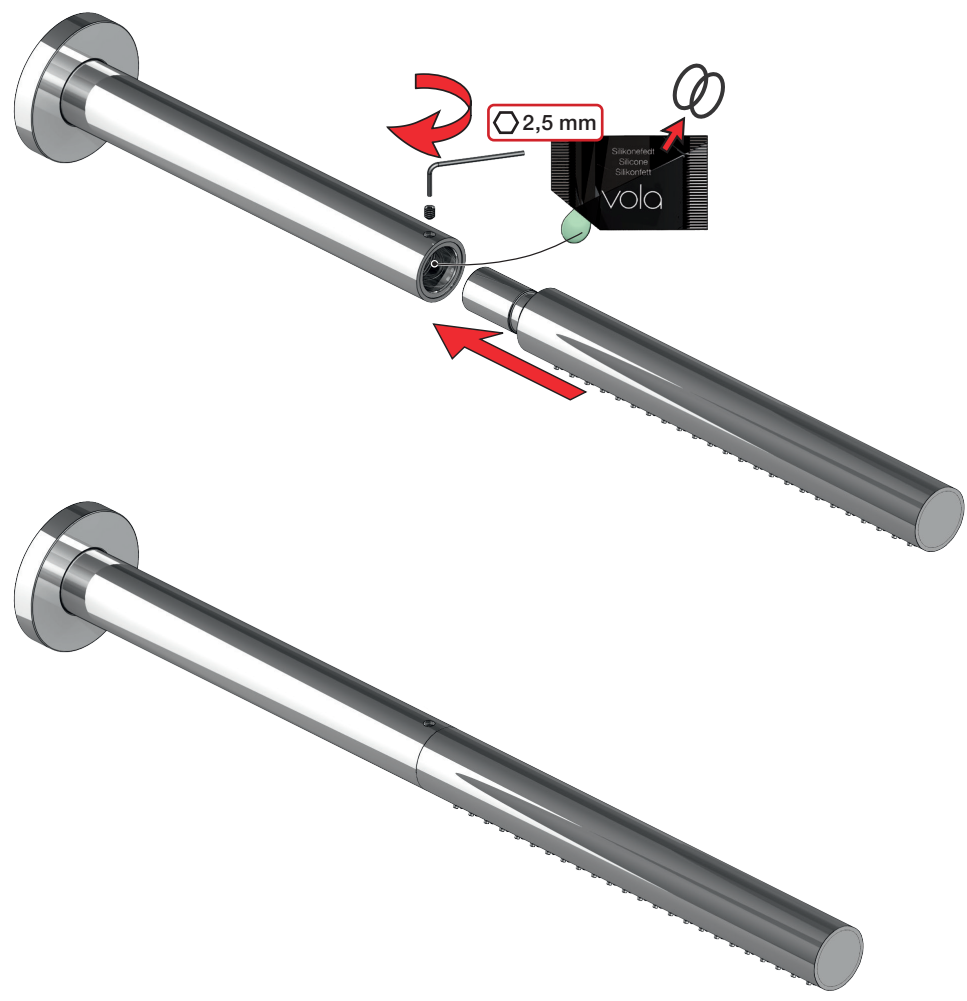
6



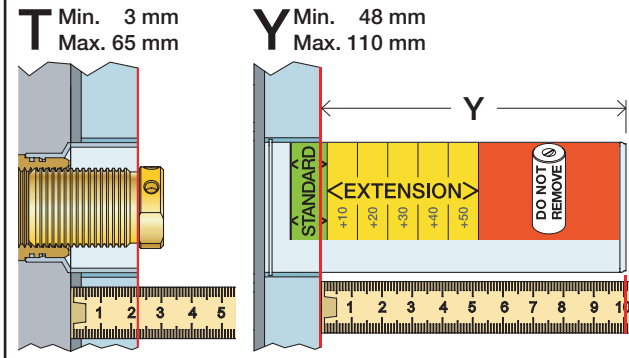
7



8

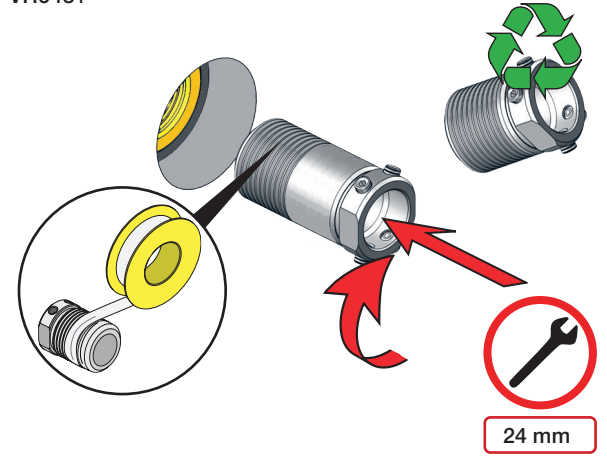


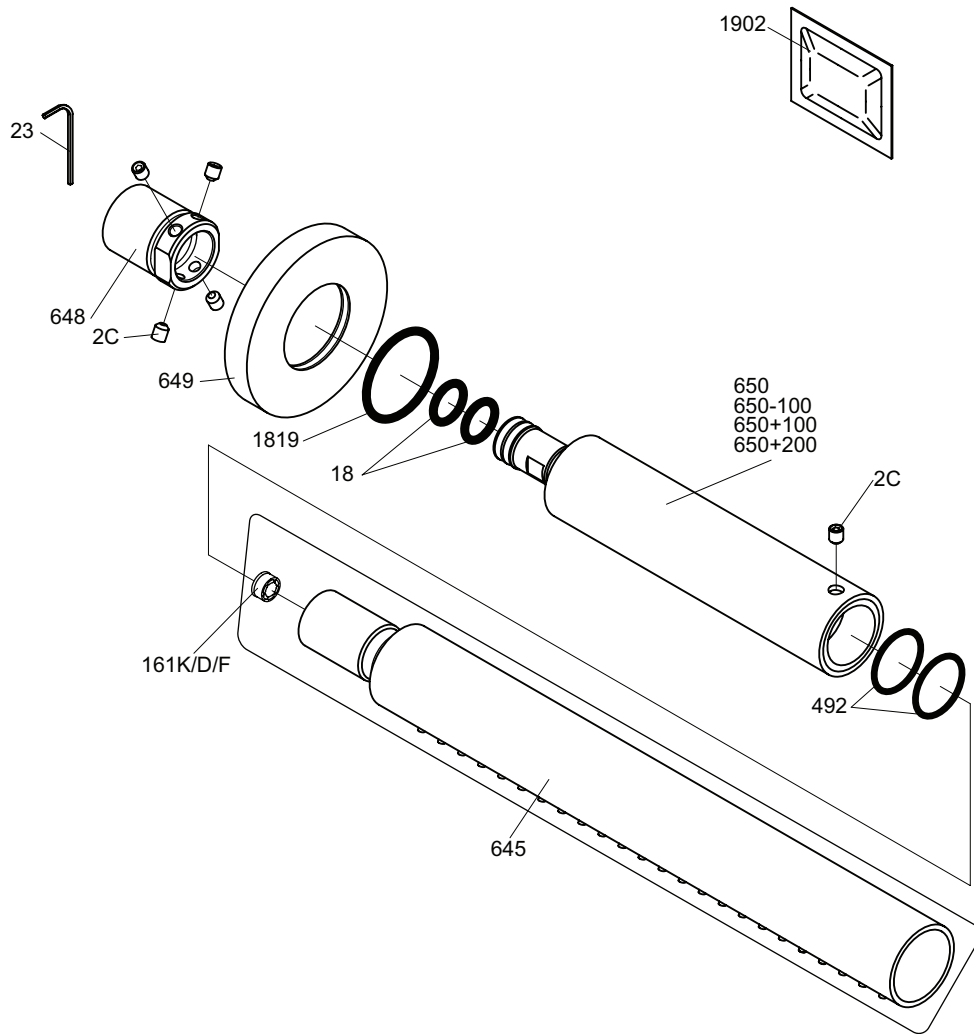
Extension Verlängerung Forlængerdele Förlängning Verlengstukken Modification



T: VR648	Y	
3 - 19 mm	110 - 98 mm	Std.
17 - 28 mm	98 - 88 mm	+10
27 - 38 mm	88 - 78 mm	+20
37 - 48 mm	78 - 68 mm	+30
47 - 58 mm	68 - 58 mm	+40
57 - 68 mm	58 - 48 mm	+50

VR648+





vola
 Lunavej 2
 DK-8700 Horsens
 Tlf : + 45 7023 5500
 Fax: + 45 7023 5511
 sales@vola.com
 www.vola.com

VOLA 080ST

Date
Oct. 16

Rev.
1

Sheet
SB 17.7