

Collection

MILANO TORINO

Article

MT706

Description

Exposed parts for bidet spray complete with mixer

Built-in body to be purchased separately INC206XXXN_19

Box Dimensions

350x270x75 mm

Weight

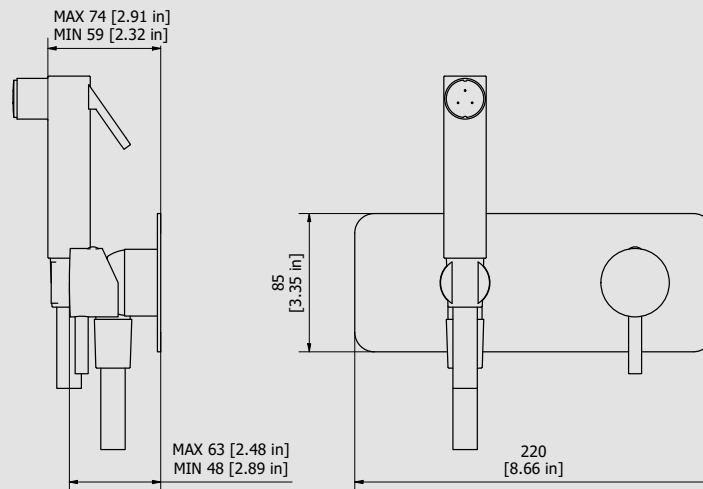
3.1 kg

Finishes

- **CC**
CHROME
- **PL**
PLATINUM
- **SS**
BRUSHED
NICKEL
- **ON**
NATURAL
BRASS
- **BO**
MATT
WHITE
- **NP**
MATT
BLACK
- **CF**
BLACK
CHROME
- **CS**
BRUSHED
BLACK
CHROME
- **II**
PALE
GOLD
- **IS**
BRUSHED
PALE GOLD
- **RS**
ROSE
GOLD
- **SR**
BRUSHED
ROSE GOLD
- **OO**
GOLD
- **OS**
BRUSHED
GOLD
- **RR**
ANTIQUÉ
COPPER
- **BB**
ANTIQUÉ
BRONZE



Dimensions



Cartridge

Ø35 Ceramic cartridge

Threaded fitting

G1/2" female

Aerator

Flow Rate (+/-10%)

1 BAR
2.1 l/m

2 BAR
3 l/m

3 BAR
3.6 l/m

Production

Main body is a single casted pieces

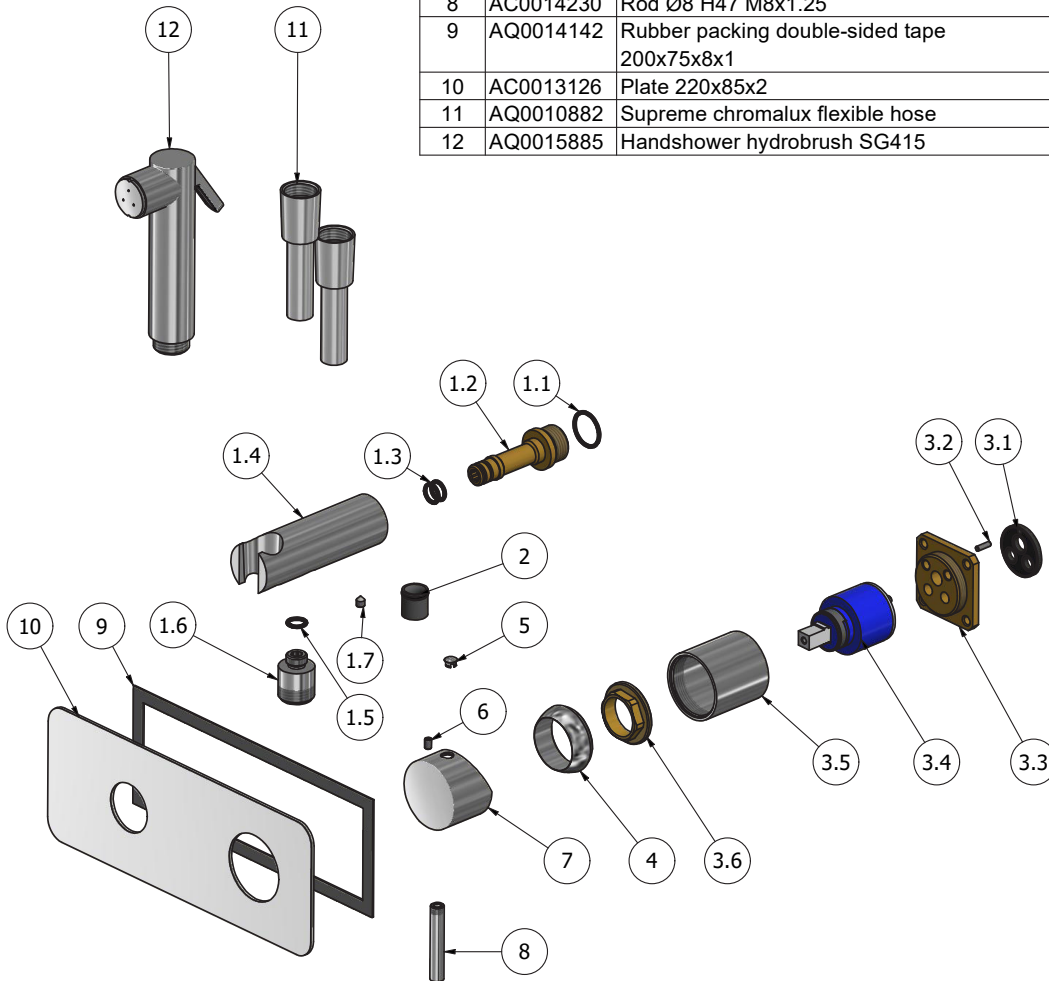
Material

BRASS
According to CuZn35Pb2Al-B (CB752S)
Max Lead content: 1.36%



WE ARE IB

Parts list			
ELEM.	CODE	DESCRIPTION	QTÀ
1	CPSUPCCX N 1	Handshower support Ø30 L95	1
1.1	AQ0004640	OR 18.77x1.78 NBR 70 SH	1
1.2	AS0013051	Bayonet coupling G1/2" M H64.9	1
1.3	AQ0004180	OR 9.25x1.78 NBR 70 SH	2
1.4	AC0013053	Hand shower's support Ø30 L94.8	1
1.5	AQ0001340	OR 8.73x1.78 NBR 70 SH	1
1.6	AC0013052	Reduction G1/2" M M12x1 M H20.5	1
1.7	AQ0014670	Grubscrew M5x6 cone point	1
2	AQ0013247	Flow reduction+CV Ø15 4L	1
3	CPIN206CC -19	Mixer 47x47 x recessed	1
3.1	AQ0015684	Gasket Ø31 H3.5 Ø7 Ø7.5	1
3.2	AQ0015357	Grubscrew M3x10 flat point	1
3.3	AS0013040	Insert 47x47 H11 M37x1.5	1
3.4	AQ0004095	Ceramic cartridge Ø35 9x9 (K35A)	1
3.5	AC0010445	Ring for recessed shower mixer	1
3.6	AQ0001040	Cartridge ring nut M37x1.5 H9	1
4	AQ0003630	Cartridge ring nut cover M37x1.5	1
5	AQ0006650	Plug cover Ø7	1
6	AQ0001081	Grubscrew M4x6 flat point	1
7	AC0011351	Handle Ø42 H30	1
8	AC0014230	Rod Ø8 H47 M8x1.25	1
9	AQ0014142	Rubber packing double-sided tape 200x75x8x1	1
10	AC0013126	Plate 220x85x2	1
11	AQ0010882	Supreme chromalux flexible hose	2
12	AQ0015885	Handshower hydrobrush SG415	1





WARRANTY

All IB Rubinetterie SpA products are warranted for 10 years from the date of purchase, for the following cases:

- Defects of casting, porosity and chrome plating.
- Operating defects caused by incorrect fabrication.

The warranty provides for repair or replacement of products with fabrication defects recognized by our technical office. There is no other type of compensation anche the merchandise must be returned FOB our warehouse. The warranty only cover surface defects (scatches, dings, etc.) on fitting that have not been installed and used, returned in its original packaging with all components. O-ring, gasket seals and components subject to wear proportional to use are warranted for 2 years.

The warranty is void in the following cases:

Error installing and putting the product into service.

Deterioration of finished surfaces due to use of cleaning products containing acids or abrasive substances. Deterioration of surface with finishes other than chrome plating. Their durability is, in fact, dependent on the user's care and gentleness of use.

Deterioration of the fitting due incorrect installation.

Improper repairs and maintenance performed without the company's prior authorization.

The warranty from IB Rubinetterie SpA is not renewable.

Cleaning

We recommended cleaning the finish surfaces with water and soap, using a soft cloth.

Do not use detergents that contain hydrochloric acid or abrasive substances.

