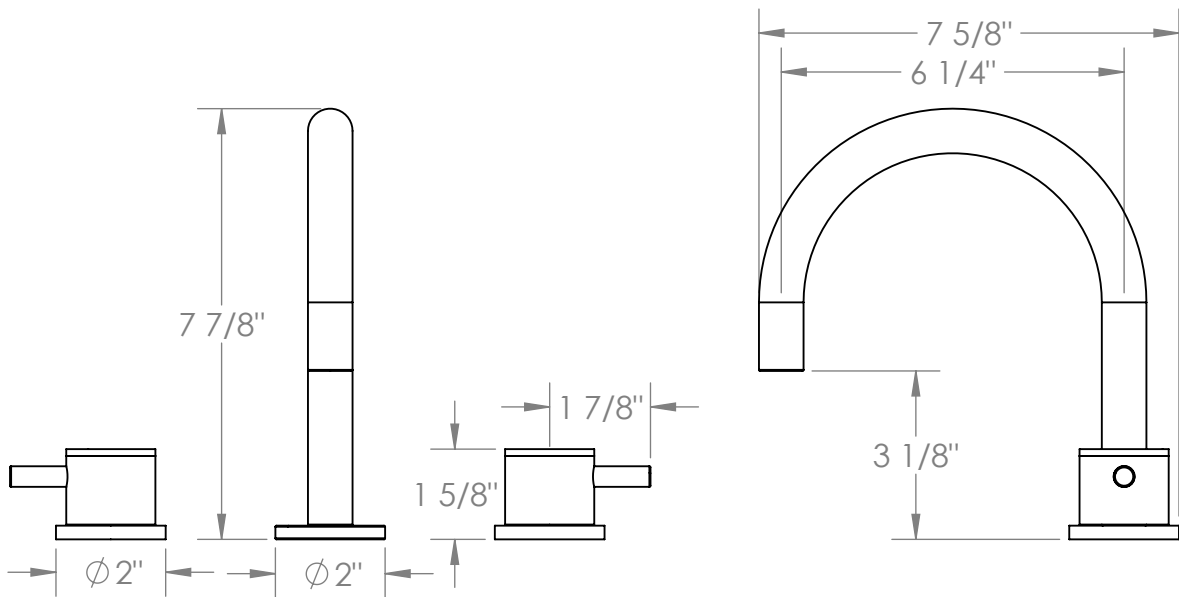


**22-2S-TIB**

Deck Mounted 3 Hole Lavatory Set  
Includes MPU5 Soft-Touch Drain with Overflow  
Flow Rate: 1.2 GPM



Meets the applicable requirements of ASME A112.18.1-2005/CSA B125.1-05, entitled "Plumbing Supply Fittings"