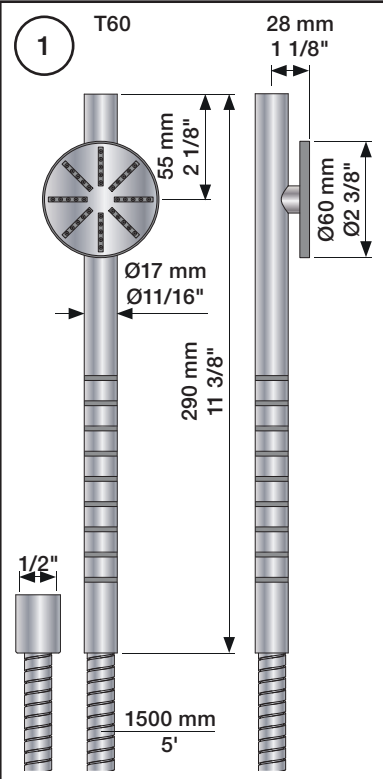
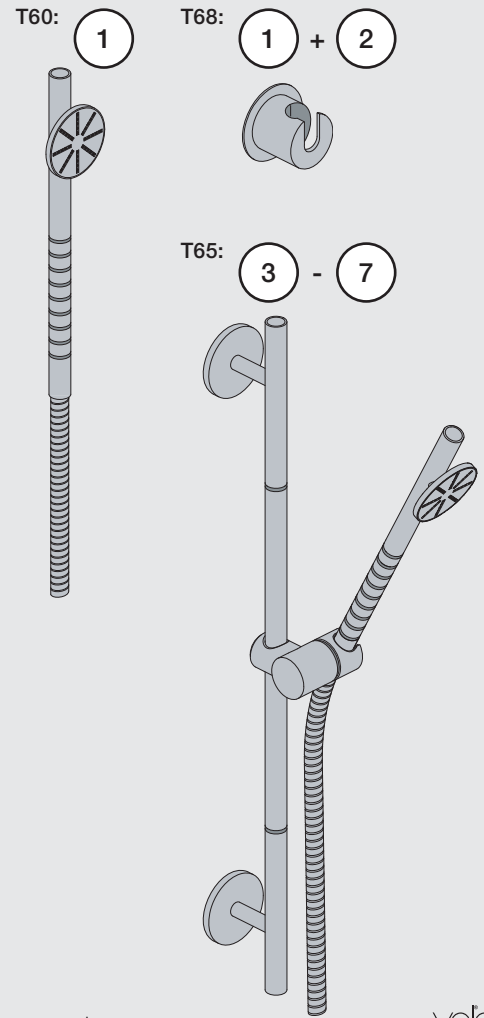


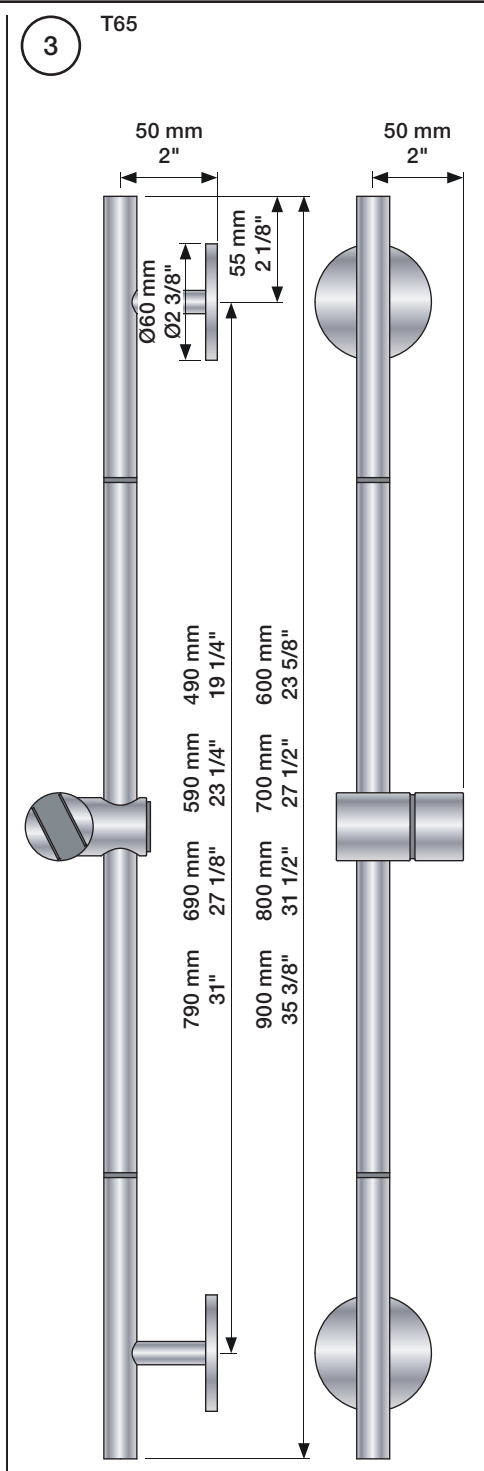
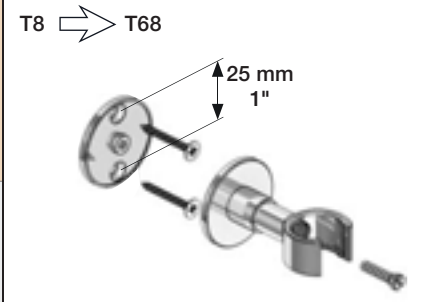
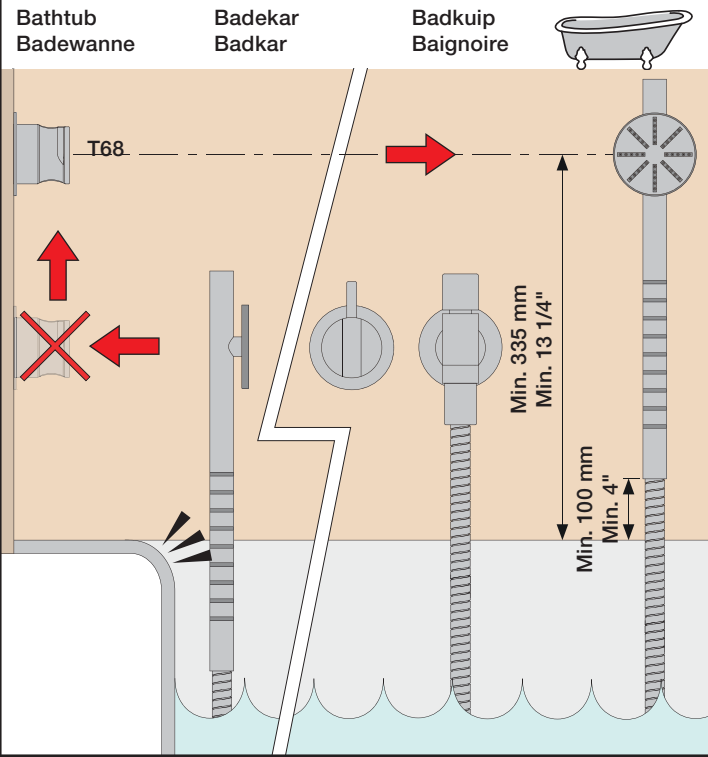
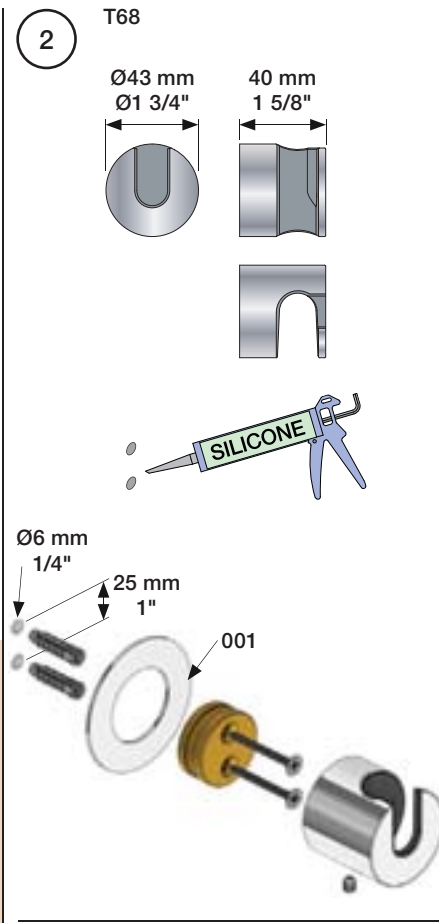
Fitting instruction
 Montageanleitung
 Monteringsvejledning
 Monteringsvægledning
 Montage hanleiding
 Manuel de montage

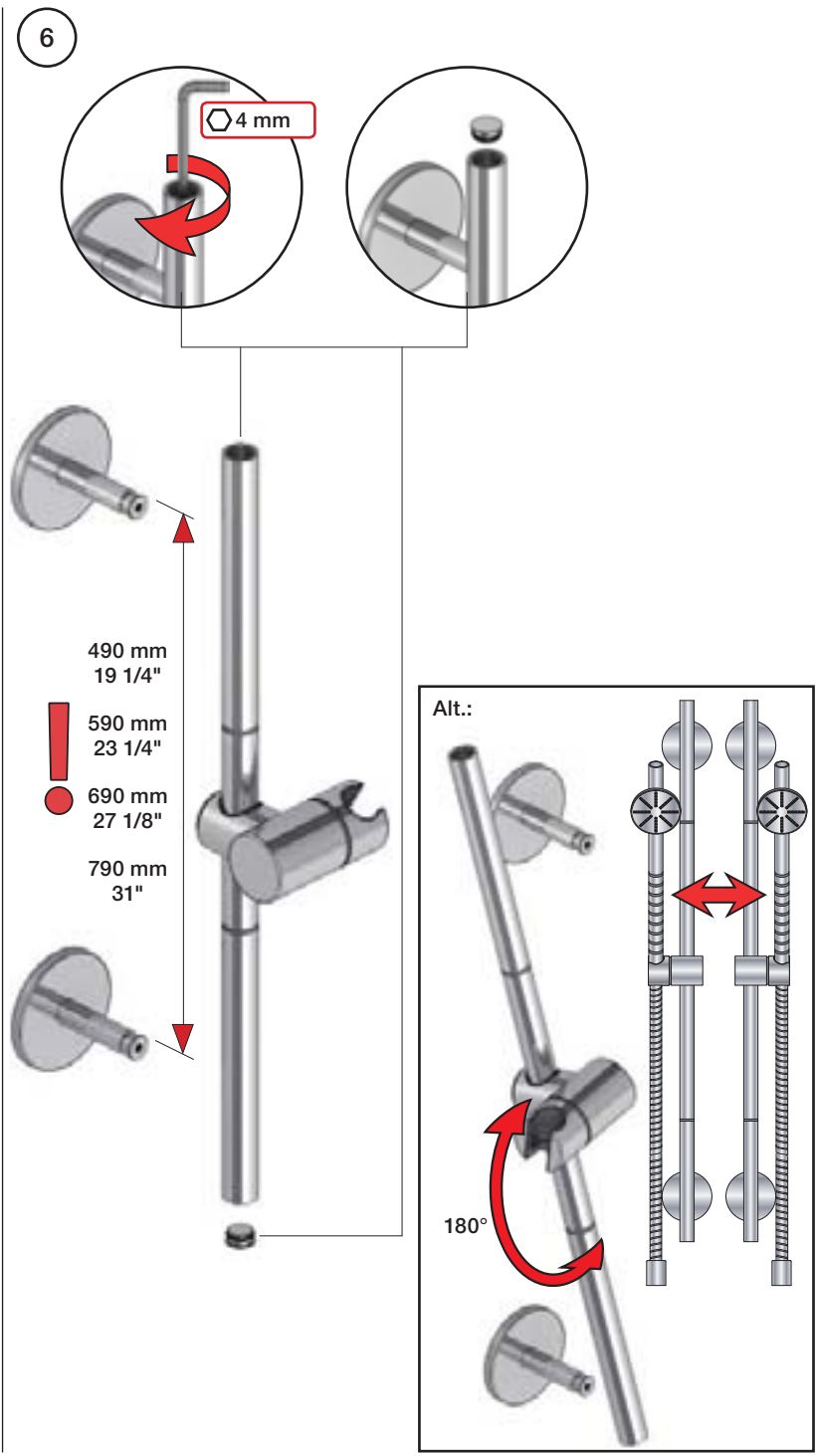
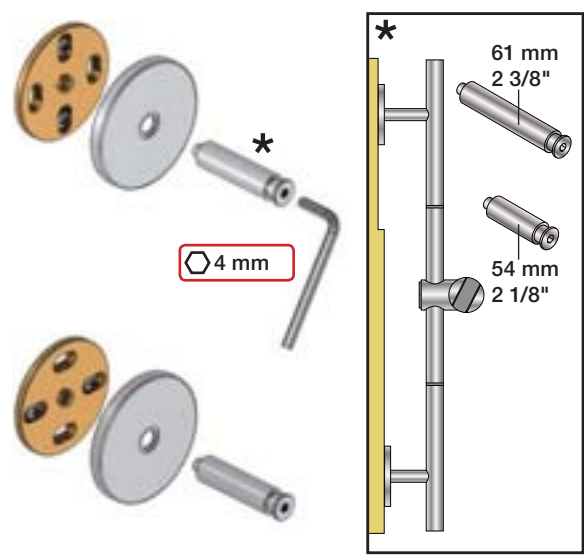
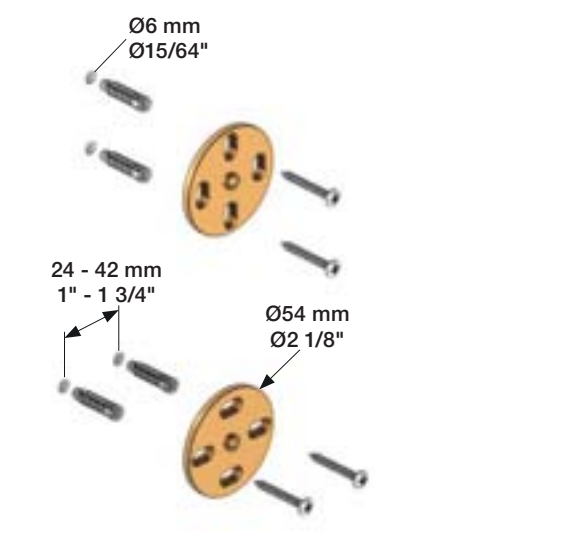
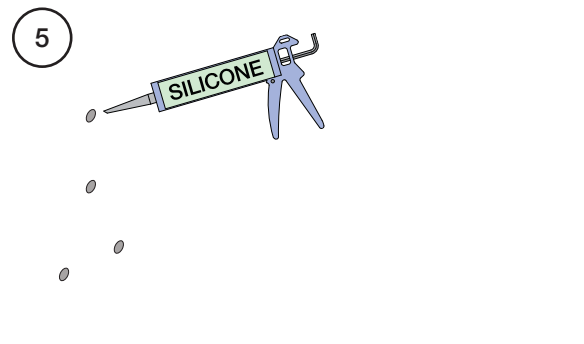
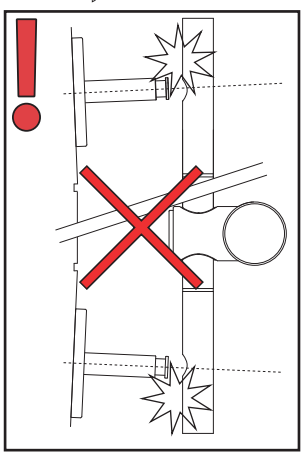
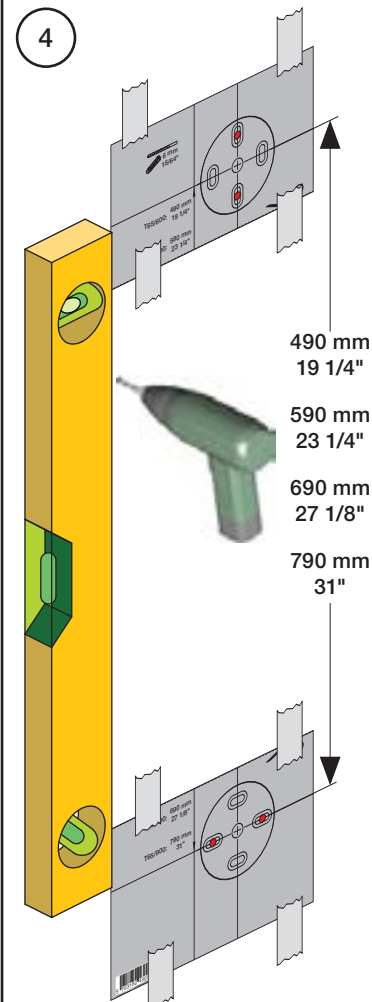


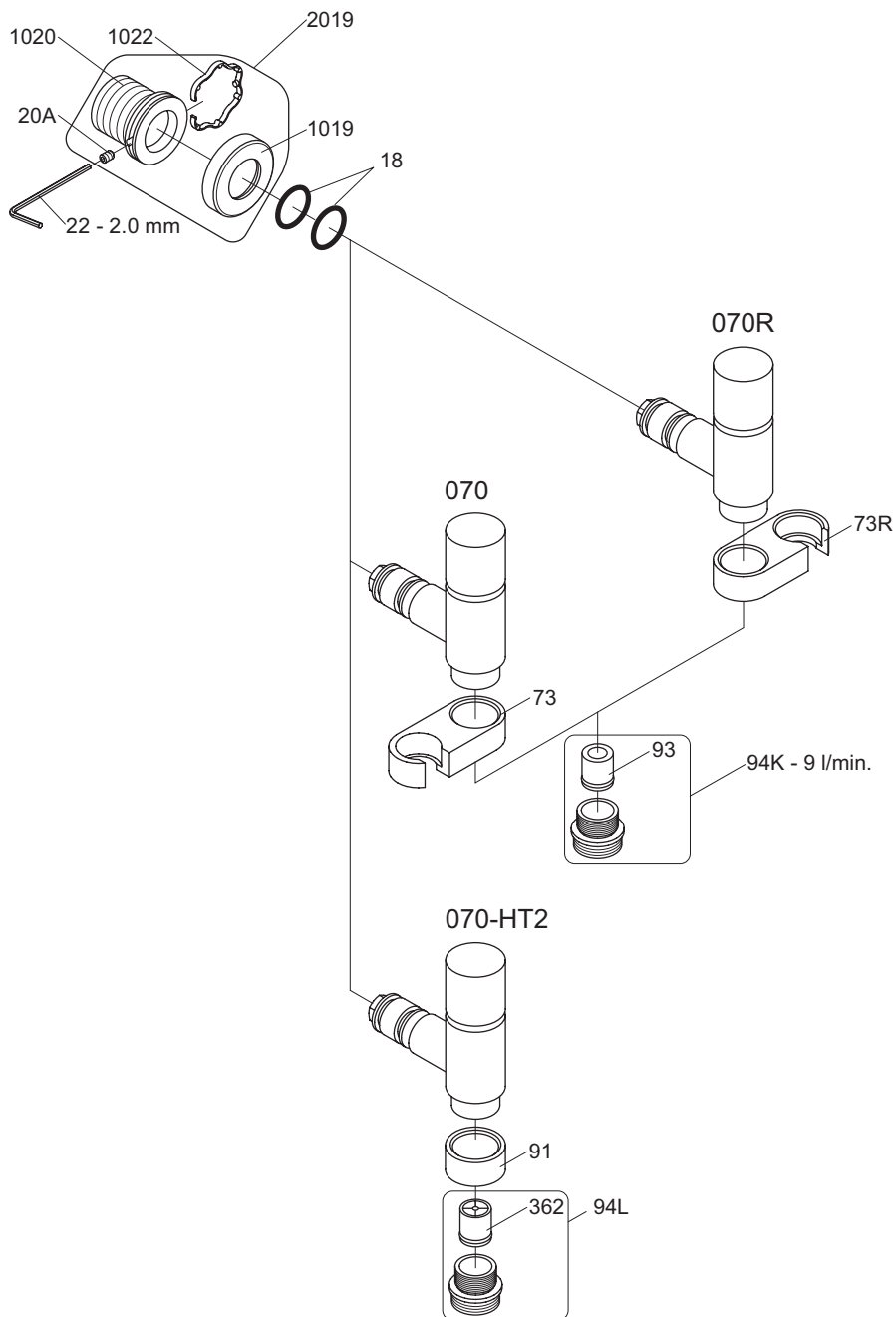
Data	Bar:	1	2	3	4	5
T60	(l/min) (Gal/min)	6.9 1.8	9.8 2.6	12 3.2	14 3.7	15 4.1
Max. 65°C. 150°F						

USA:
 Max. flow rate:
 2 Gal/min

Service - VR556







VR1020K: VR20A, VR22, VR1020, VR1022
 VR2019: VR20A, VR22, VR1019, VR1020, VR1022



vola
 Lunavej 2
 DK-8700 Horsens
 Tlf : + 45 7023 5500
 sales@vola.com
 www.vola.com

VOLA 070, 070R 070-HT2

Date
 Apr. 21

Rev.
 5

Sheet
 SB 16