

E4700



Collection: ODÉON UP

Finish*:



00 - White

Main features:



Features

- DIMENSIONS: 60 x 44 cm
- MATERIAL: Ceramic
- FAUCET DRILLING: 1 tap hole, 2 optional holes
- INSTALLATION: COMPACT
- PRODUCT INCLUDED: (Tap not included)
- WEIGHT: 15.4 kg
- INSTALLATION TYPE: Self-supporting
- TAP DRILLING: 1 tap hole
- OVERFLOW: With overflow hole
- RECOMMENDED TAPS: Aleo, a stylish, affordable range

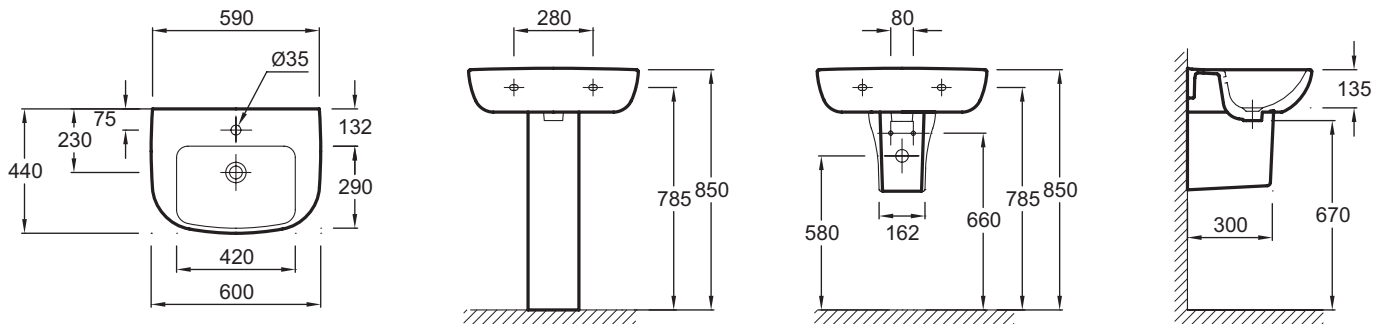
Consumer benefits

- DESIGN: Cleverly bold with a touch of elegance - a collection for the entire family
- COMFORT: Deep, spacious basin
- FUNCTIONALITY: Side ledges for optimal comfort of use every day
- EASIER CARE: Soft corners for fast, easy cleaning

Optional products

- 18565W: Pedestal
- 18566W: Semi-pedestal
- E4729: Towel rail

Technical drawing



Product Specification: Compact washbasin 60 cm. E4700. Collection: ODÉON UP. DIMENSIONS: 60 x 44 cm. WEIGHT: 15.4 kg. MATERIAL: Ceramic. INSTALLATION TYPE: Self-supporting. FAUCET DRILLING: 1 tap hole, 2 optional holes. TAP DRILLING: 1 tap hole. INSTALLATION: COMPACT. OVERFLOW: With overflow hole. PRODUCT INCLUDED: (Tap not included). RECOMMENDED TAPS: Aleo, a stylish, affordable range.

**Due to possible variations in computer and printer calibrations, technical factors and certain finish characteristics, the colors you see may not accurately portray the actual colors and are provided as a guide only.*