



IB RUBINETTI

Collection

SUPERBOX

Article

SB250

Description

Wall mounted bath filler

Box Dimensions

370 x 225 x 226 mm

Weight

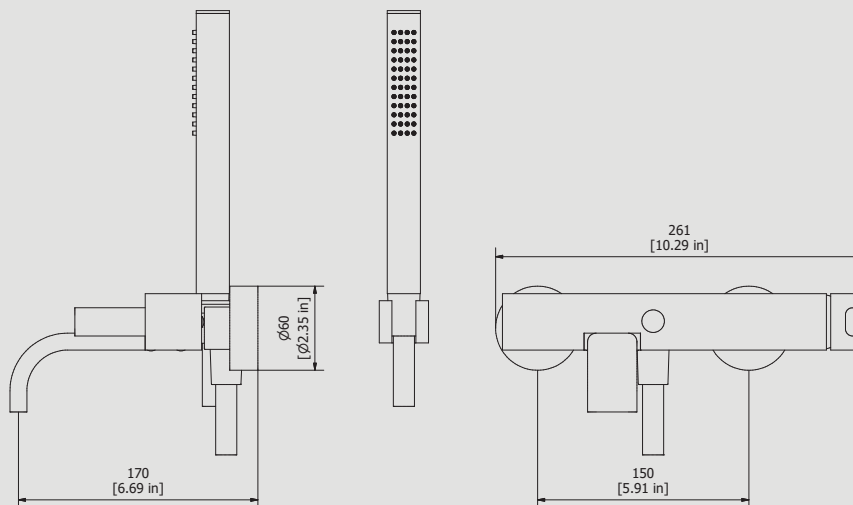
4.9 kg



Finishes

- **CC** CHROME
- **CF** BLACK CHROME
- **OO** GOLD
- **BB** ANTIQUE BRONZE
- **SS** BRUSHED NICKEL
- **CS** BRUSHED BLACK CHROME
- **BO** MATT WHITE
- **NP** MATT BLACK
- **IS** BRUSHED PALE GOLD
- **OS** BRUSHED GOLD
- **II** PALE GOLD
- **RR** ANTIQUE COPPER
- **RS** ROSE GOLD
- **ON** NATURAL BRASS
- **SR** BRUSHED ROSE GOLD
- **PL** PLATINUM

Dimensions



Cartridge

Ø35 ceramic cartridge

Threaded fitting

G1/2" male

Aerator

Flow Rate (+/-10%)

1 BAR	2 BAR	3 BAR
10 l/min	14 l/min	17 l/min

Production

Main body is a machined from a solid pieces

Material

BRASS
According to CuZn39Pb3 (CW614N)
Max Lead content: 2.5%

IB RUBINETTERIE s.p.a
via dei Pianotti 3/5
25068 Sarezzo (BS) - Italy -

T. +39 030 802101
F. +39 030 803097
info@ibrubinetterie.it

P.IVA 01785230986
capitale sociale
€420.000,00 i.v.

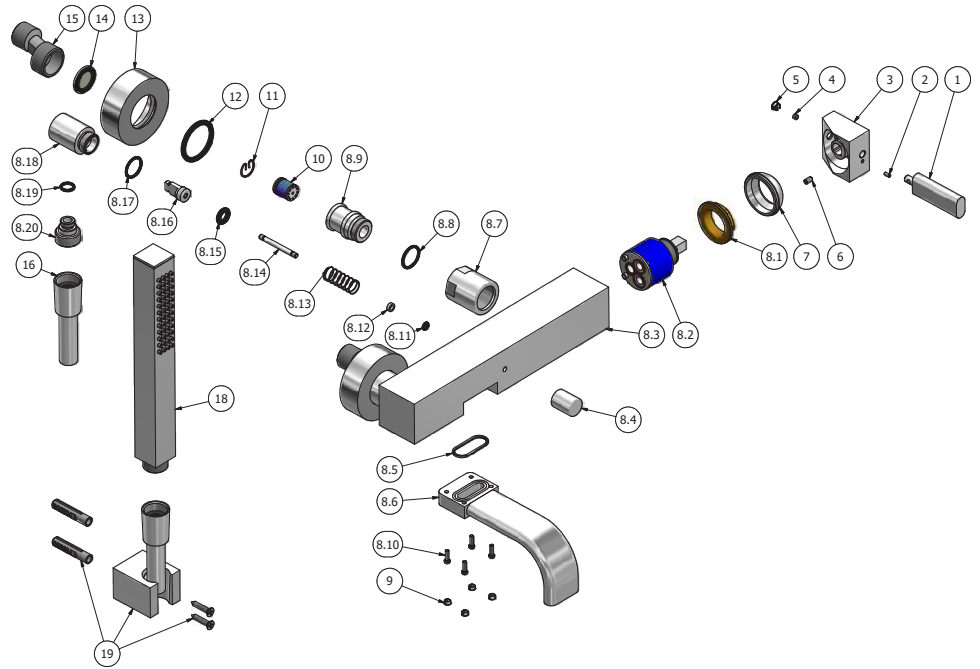
WWW.IBRUBINETTI.IT





IB RUBINETTI

Parts list			
ELEM	CODE	DESCRIPTION	QT
1	AQ0011251	Lever 61.5x20x10	1
2	AQ0012230	Inox plug Ø2.5x6	1
3	AC0011253	Handle 40x40 H23.5	1
4	AQ0001082	Grubscrew M4x4 p.c.	1
5	AQ0006650	Plug cover Ø7	1
6	AQ0006649	Grubscrew M4x8 cone point	1
7	AQ0012068	Chromed cover nut Ø38,2 M37x1,5	1
8	CPKSB250	Preassembled wall mounted bath filler CXC01	1
8.1	AQ0001040	Cartridge ring nut M37x1.5 H9	1
8.2	AQ0004095	Ceramic cartridge Ø35 9x9 (K35A)	1
8.3	AC0011201	Bath shower mixer body 40x40 L230	1
8.4	AC0010793	Knob for diverter Ø16 H20 M4	1
8.5	AQ0014198	OR 24x2 NBR 70 SH	1
8.6	AC0011256	Complete welded spout	1
8.7	AC0009990	Nut 3/4"G	2
8.8	AQ0004630	OR 17.16x1.78 NBR 70 SH	2
8.9	AC0010253	Seal 20X1 W/seat for valve	2
8.10	AQ0012206	Inox screw M3x10	4
8.11	AQ0007122	OR 3.69x1.78 NBR 70 SH	1
8.12	AQ0009727	Antifricion ring Ø7 H2.5	1
8.13	AQ0010322	Diverter's spring	1
8.14	AC0009716	Diverter's rod Ø4 M4 H41	1
8.15	AQ0009390	OR 7.52x3.53 NBR 70 SH	1
8.16	AC0009864	Diverter pan for bath shower Ø10.8 H22	1
8.17	AQ0004600	OR 15.6x1.78 NBR 70 SH	1
8.18	AC0010797	Elbow M18X1 M12X1	1
8.19	AQ0001340	OR 8.73x1.78 NBR 70 SH	1
8.20	AC0010794	Shower connection piece G1/2" M12x1 H20.5 CH12	1
9	AQ0012203	Plug	4
10	AQ0009090	Not return valve Ø14 (31.4114.00001)	2
11	AQ0009678	Elastic ring AISI 302	2
12	AQ0009368	OR 29.75x3.53 NBR 70 SH	2
13	AC0010020	Sliding rosette	2
14	AQ0010373	Rubber packing 3/4" H2 with filter	2
15	AQ0009886	Eccentric H.36	2
16	AQ0010066	Chromalux hose L150	1
17	AQ0012209	Shower support square ABS	1
18	AQ0013639	Square hand shower OnAir	1



WARRANTY

All IB Rubinetterie SpA products are warranted for 10 years from the date of purchase, for the following cases:

- Defects of casting, porosity and chrome plating.
- Operating defects caused by incorrect fabrication.

The warranty provides for repair or replacement of products with fabrication defects recognized by our technical office. There is no other type of compensation anche the merchandise must be returned FOB our warehouse. The warranty only cover surface defects (scatches, dings, etc.) on fitting that have not been installed and used, returned in its original packaging with all components. O-ring, gasket seals and components subject to wear proportional to use are warranted for 2 years.

The warranty is void in the following cases:

Error installing and putting the product into service.

Deterioration of finisched surfaces due to use of cleaning products containing acids or abrasive substances. Deterioration of surface with finishes other than chrome plating. Their durability is, in fact, dependent on the user's care and gentleness of use.

Deterioration of the fitting due incorrect installation.

Improper repairs and maintenance performed without the company's prior authorization.

The warranty from IB Rubinetterie SpA is not renewable.

Cleaning

We recommended cleaning the finish surfaces with water and soap, using a soft cloth.

Do not use detergents that cointain hydrochloric acid or abrasive substances.

