

## SPECIAL ARTICLES

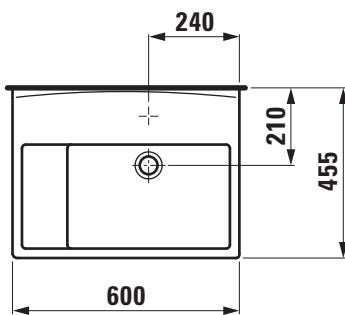
### School washbasin COLLEGE 85760.0



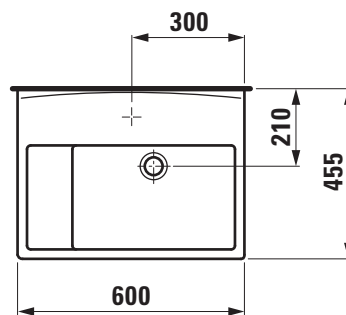
#### TECHNICAL DATA

Order no.	85760.0	Mounting acc. excl.	Mounting set, order no. 89988.2
Dimensions	600 x 450 mm	Colours	see colour table
Inside dimensions of the basin	550/430 x 270 mm		
Specification	without tap hole		
Special specification	Charge 104 – 1 centre tap hole Charge 503 – 1 centre tap hole middle basin		
Weight	20,5 kg		

#### TECHNICAL DRAWINGS / S 1 : 20



Charge 503



Charge 104

