

Mixer Tap Skin 8424 100

Mixer Taps

Code: 8424 100



DETAILS

Material AISI 304 stainless steel

Material Stainless steel AISI 316

Texture Satin

Rotating angle 360°

Strengthening plate ø50mm

Cartridge With ceramic discs

Mixer hole ø35mm

Aesthetics parts AISI 316 steel aesthetic parts

Max worktop thickness 40mm

Mixer type

Single lever faucet with rotating barrel and flexible head.

FEATURES

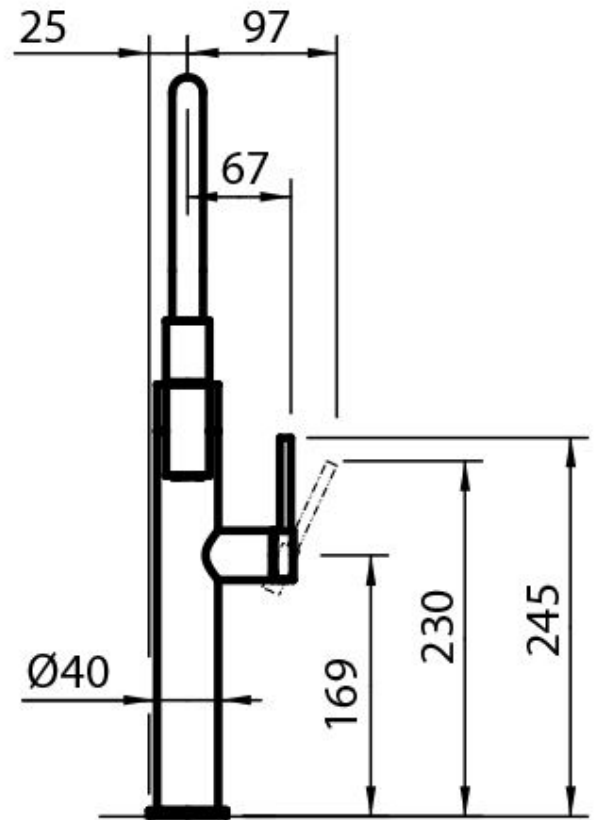
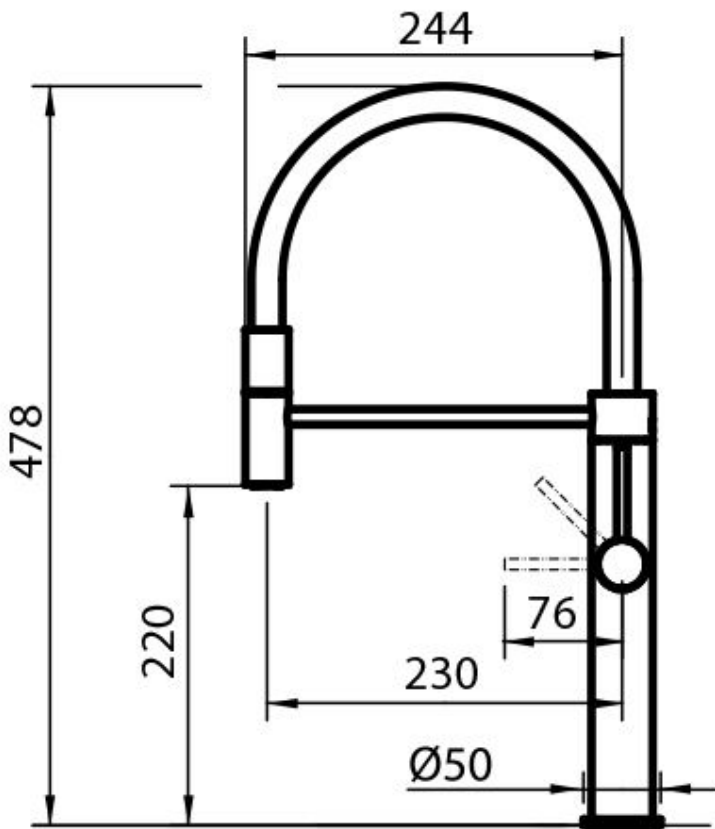
Rotating angle

All the taps have a wide angle of rotation. Some models even permit a full 360° rotation.

Strengthening plate

Foster's mixer taps are equipped with the strengthening plate that offers perfect stability on any sink.

TECHNICAL DATA



GALLERY

