

Sink S1000 1812 46x

Sinks

Code: 1812 46x

Code: 1812 461 DX (Sink on the right)

Code: 1812 462 SX (Sink on the left)



DETAILS

Finish Foster brushed

Material AISI 304 stainless steel

Texture Microfoster

Base 80-90 cm

Edge/Installation Type Standard (8 mm Edge)

Dimensions 1160x500 mm

Standard fittings Fixing hooks, gasket, drain, overflow and siphon, boxed packing

Mixer holes 1 standard hole - 2nd hole on request

Built-in hole 1140x480 mm

Drainer Yes

Width 116 cm

Bowl dimension 360x400mm

Number of bowls 2 bowls

Waste fitting 3,5" drain

FEATURES

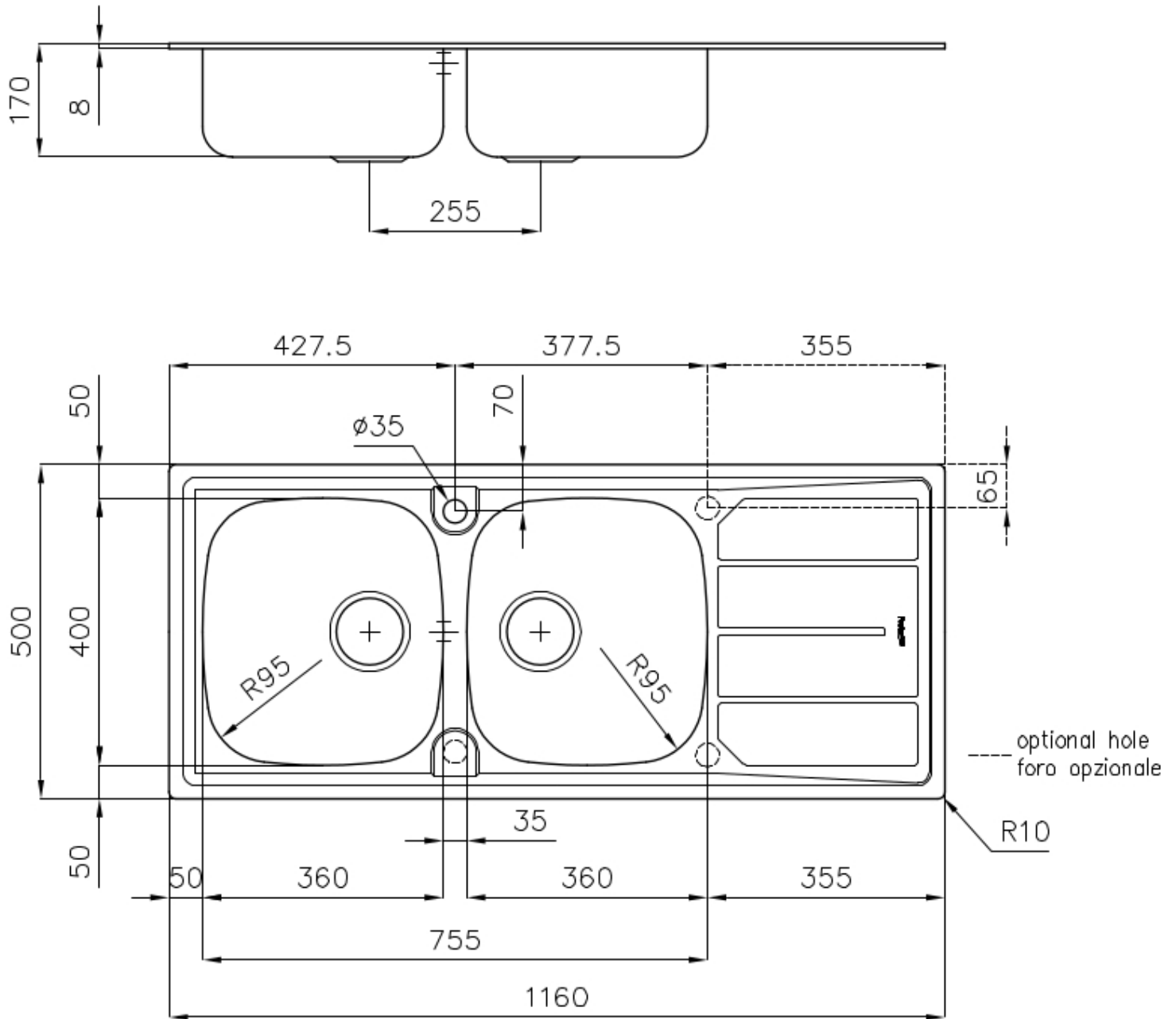
2nd / 3rd hole available The sink can be customized with the execution on request of additional holes, usable for double-hole mixers, for remote controlled drains or for the installation of soap dispensers. The positions are marked on the drawings with dotted line holes.

Added value Foster uses steel thicknesses higher than those used on average by other manufacturers. This is how, thanks to our long experience, we know how to make sinks of superior quality and with a better resistance to aging.

Basket 3,5" waste fitting The drain is equipped with a large 3.5" drain, with the practical basket cap that prevents the discharge of solid parts. The 3.5 "drain allows the use of the Foster waste-disposer, compatible with all models.

Sliding brackets

TECHNICAL DATA



OPTIONAL ACCESSORIES



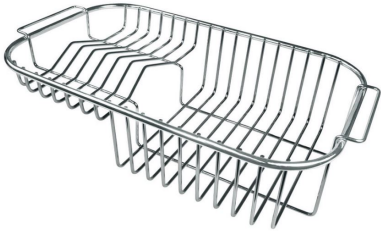
HPDE Chopping board 8657 001



Iroko-wood sliding chopping board 8643 000



Stainless steel basket 8611 000



Stainless steel plate rack 8100 301

RECOMMENDED PAIRINGS



Mixer Tap Lorenzo 8466 000



Mixer Tap S1000 - RO 8443 002

OPTIONAL AUTOMATIC WASTE FITTINGS



Automatic waste fitting 8407 000



Automatic waste fitting 8407 100



LIRA automatic waste fitting
8407 102



LIRA automatic waste fitting
8407 103