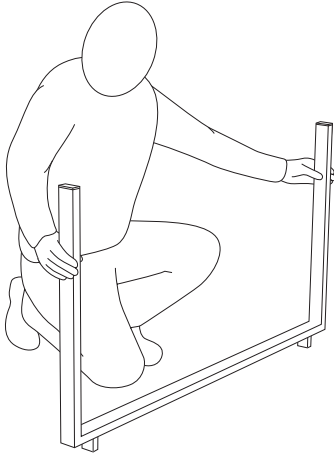


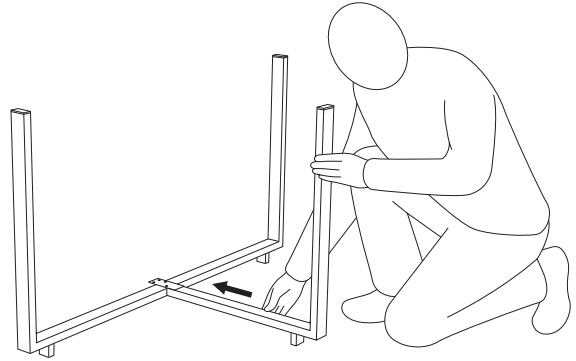
**BarlowTyrie**

**Mercury**  
**2MEC12.600 / .601 / .602**

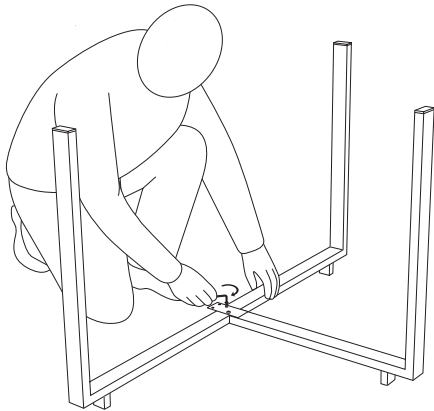
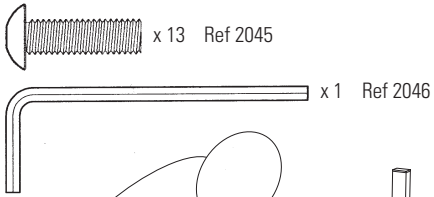
**1**



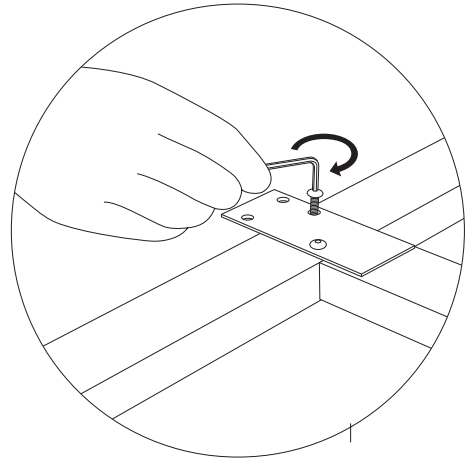
**2**



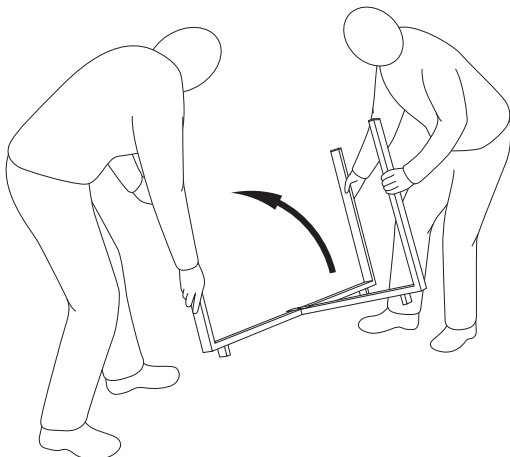
**3**



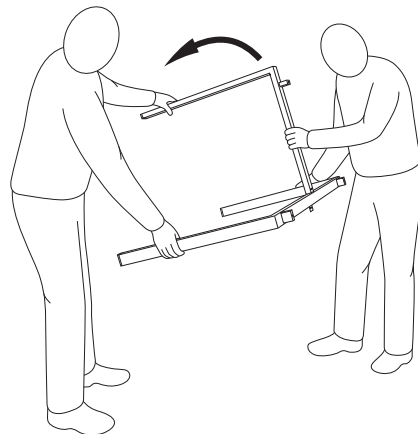
**4**



**5**



**6**

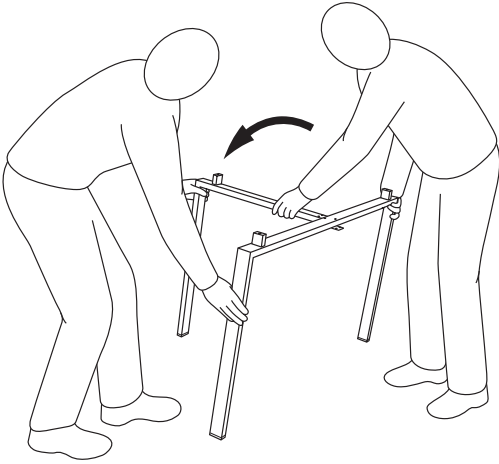




**BarlowTyrie**

**Mercury**  
**2MEC12.600 / .601 / .602**

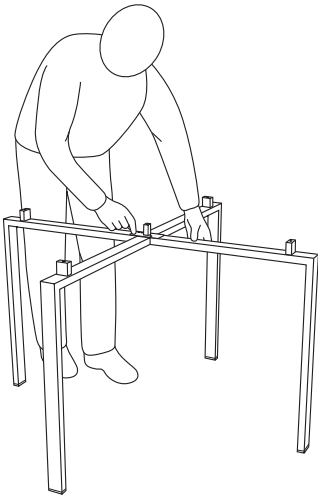
7



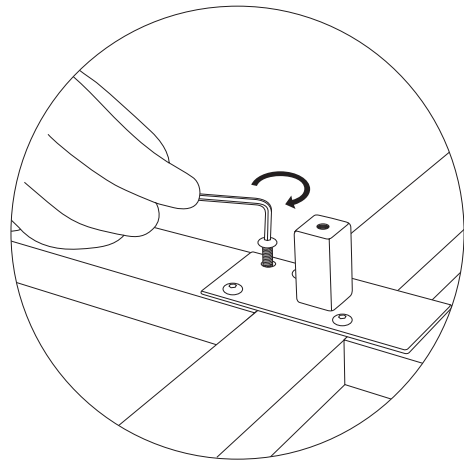
8



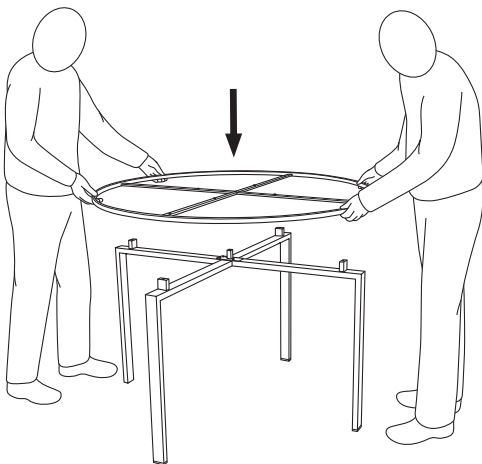
9



10

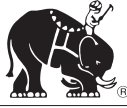


11



12

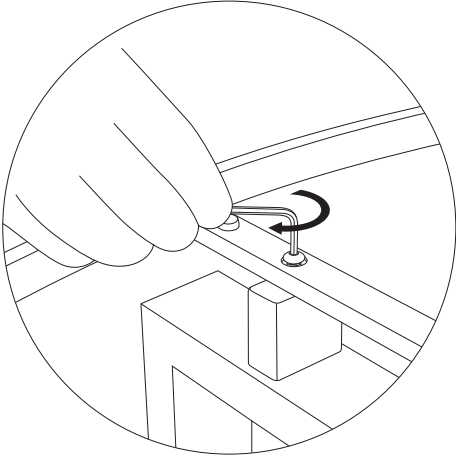





**BarlowTyrie**

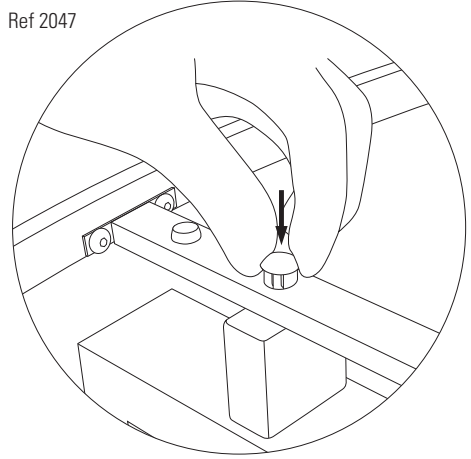
**Mercury**  
**2MEC12.600 / .601 / .602**

13

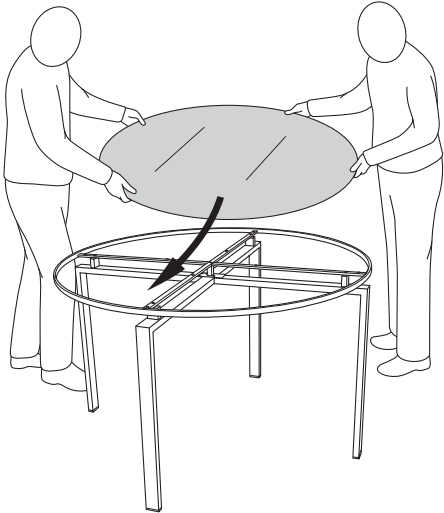


14

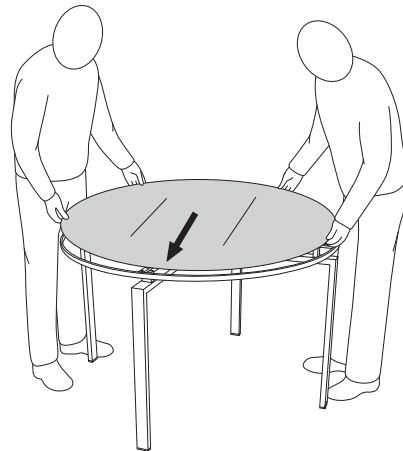
 x 5 Ref 2047



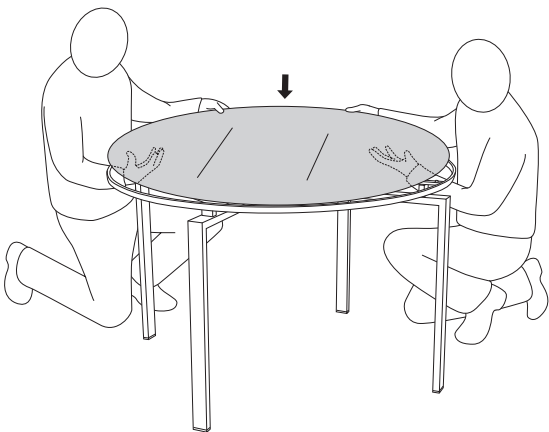
15



16



17



18

