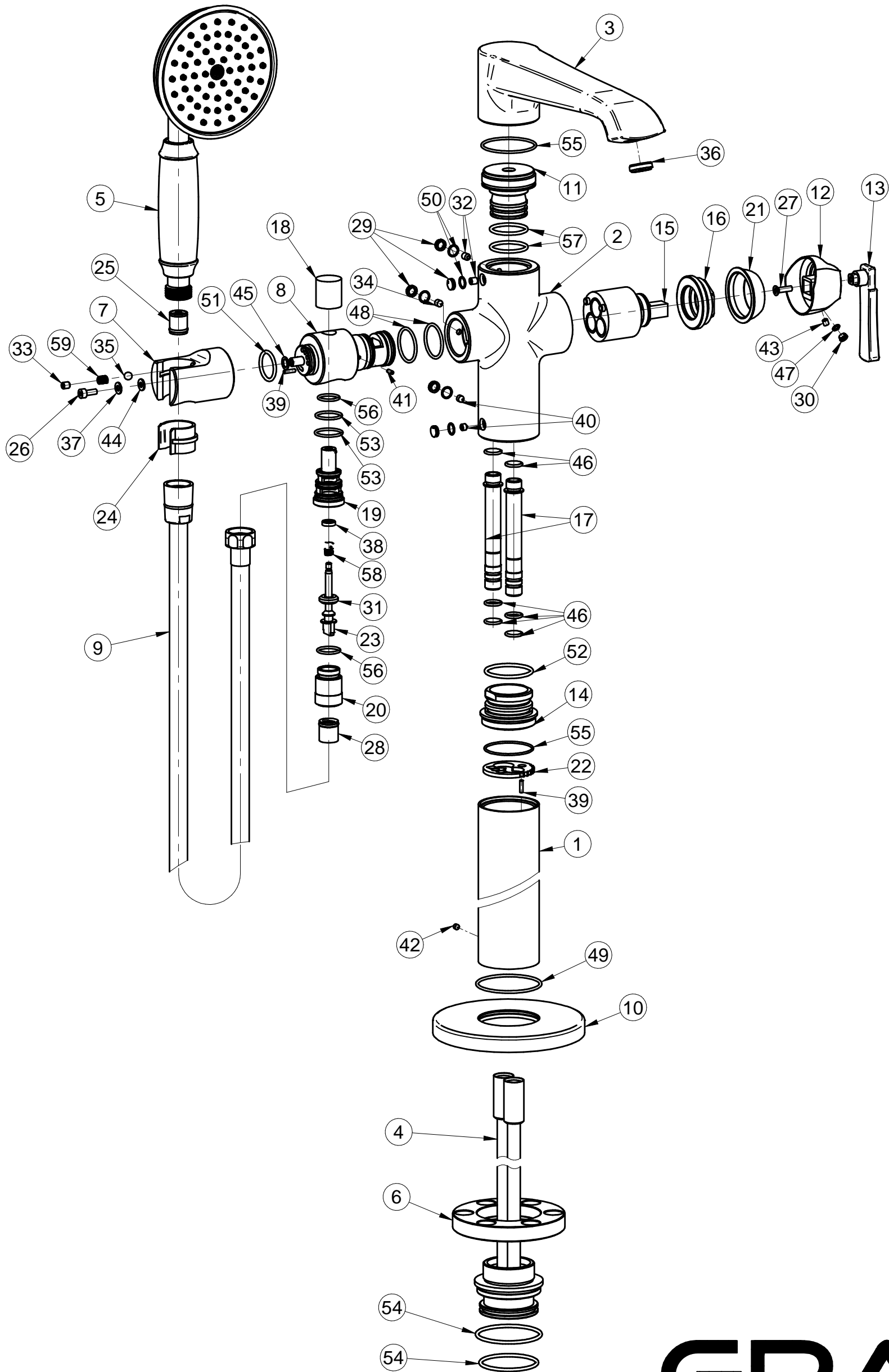


# 5187100

## Finezza DUE Series



**GRAFF**<sup>®</sup>  
CUTTING EDGE DESIGN