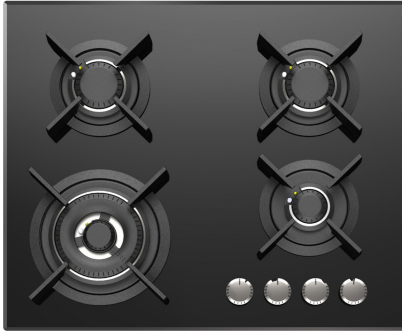


Cooker hob Ceramik 7038 632

Cooker hobs

Code: 7038 632



DETAILS

Coloring	Black
Material	Ceramic glass
Supply	220-240 V; 50.60 Hz
Edge/Installation Type	Bevelled Edge - for flush-mount or over-mount installation
Dimensions	600x510 mm
Base size	60cm
Heating element	Four burners
Built-in hole	View technical data sheet (for all Flush-mount / Top-mount models and Under-mount models)
Grids	Cast iron grids and enamelled burner covers

Total power 8.500 W

Auxiliary 1.000 W

Semirapid 2x1.750 W

Double crown 4.000 W

Safety Safety valve with quick-acting thermocouple

Ignition Electric ignition under knob

Gas type Tested for installation with natural gas, LPG nozzle set included.

Type Gas Hob

FEATURES

Cast iron grids Cast-iron is the ideal material for an hob grid, this due to the manifold properties characterising it: high heat capacity that improves cooking performance; high weight and stability that improve safety; sturdiness that preserves the hob's original aspect over time; easy cleaning.

Flat burners Flat burners: 20% gas savings. They guarantee an efficiency well above the European standards. Furthermore, the improved combustion of gas allows the development of higher powers. The aesthetic is particularly accurate thanks to the ring with steel finish that stands out on the black background and the low thickness.

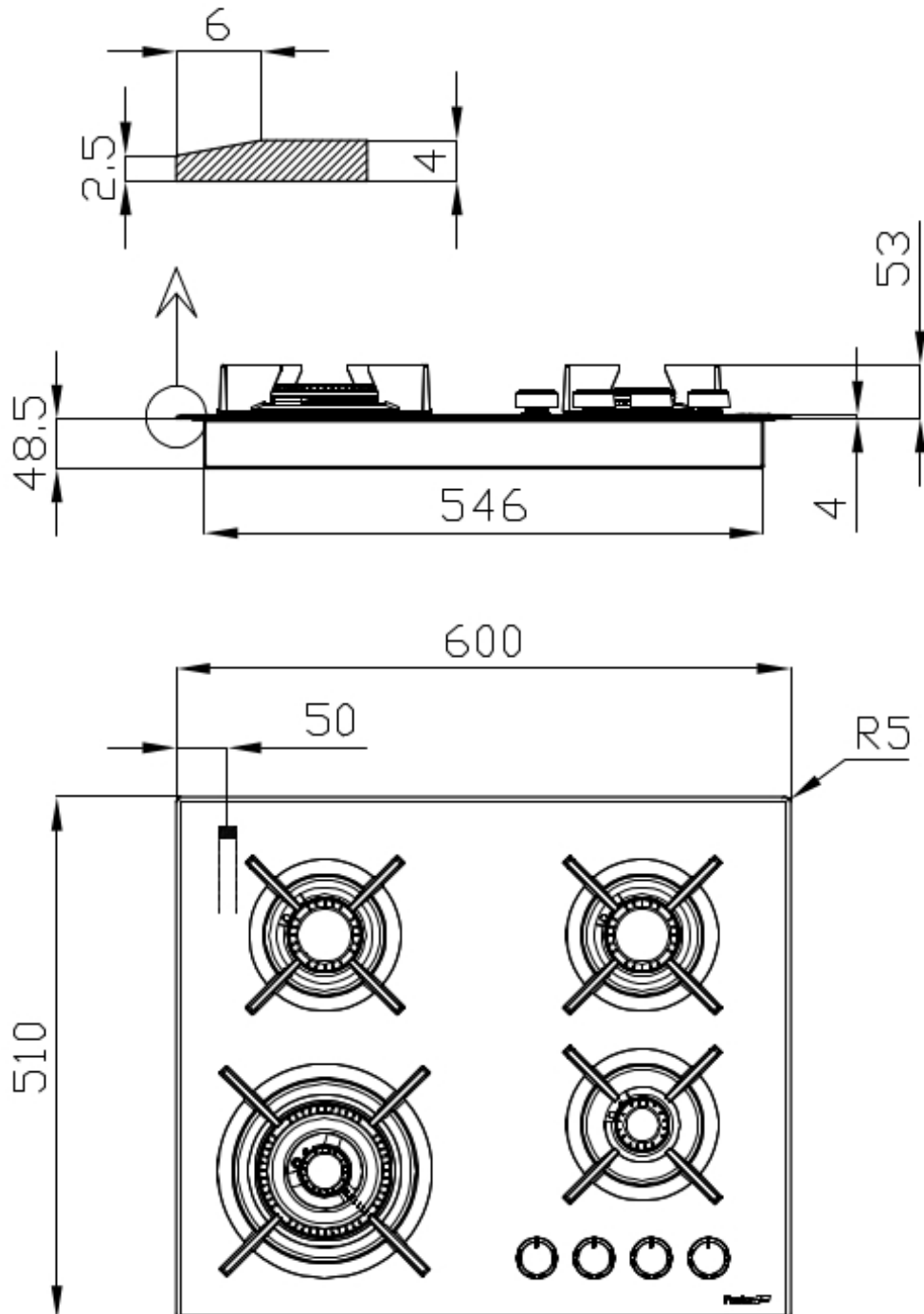
Safe cooking All Foster cooker hobs are equipped with safety valves. They shut off the gas supply very quickly if the flame accidentally goes out.

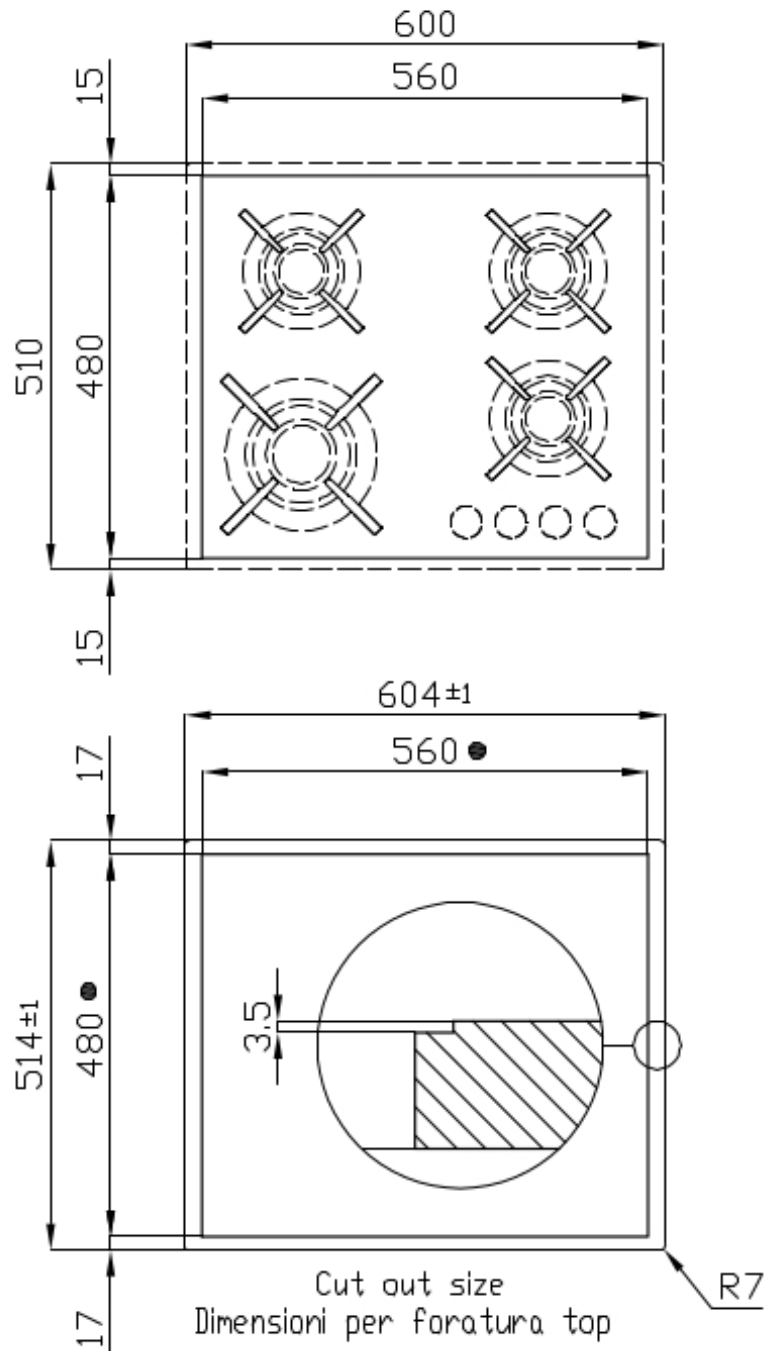
Special burners Many Foster hobs are equipped with special burners, with two or three rings of fire that greatly increase the power delivered and the heated surface. In the DUAL models the two fire crowns also have independent ignition, making these burners perfect for both intensive and delicate cooking.

Under-knob ignition

The utmost freedom of movement with electronic under-knob ignition, a common feature of all models that allows a one-hand ignition of the burner.

TECHNICAL DATA





- Built-in cut out for FTS - Foratura per installazione FTS

OPTIONAL ACCESSORIES



Cast iron wok support 9601 727

RECOMMENDED PAIRINGS



Hood Stripe 2450 090



Sink S4001 Filotop - 3365 050