



#### Product description

Eyes-washing and base in stainless steel  
Automatic flow-rate reducer  
Operated by lateral push lever or foot pedal  
Green emergency epoxy finishing  
Two spigots of low pressure ventilated water

---

#### Technical specifications:

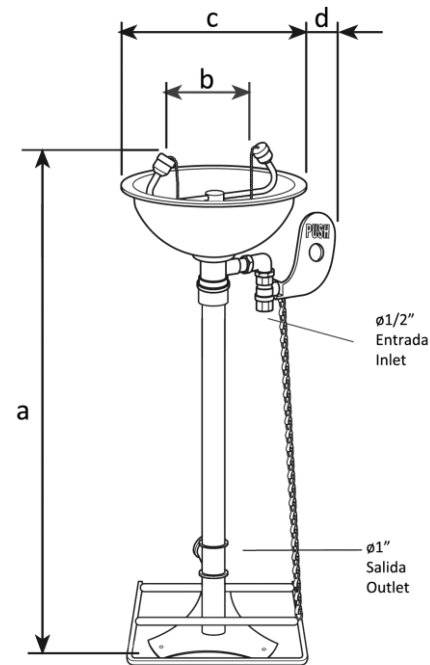
Wall mounted eyes-washing. The product composes of a base, a bowl and two spigots. The bowl and the spigots are located on the top of the stainless steel base. The support of the spigots is inside the bowl. The spigots and their support are made of chromed brass tube. The water supply must ensure a minimum flow of eyes-washing of 6l/min. at a pressure of 2 bar for 15 minutes. The eye-washing supplies a flow of 11 l/min. under pressures from 1 to 9 bar. The set has a green emergency epoxy finishing. The product is fixed to the floor with 3 screws located on the base and should be positioned so that the spigots are located at a height between 80 and 115 cm. The product code is GW12 03 04 05, manufactured by GENWEC WASHROOM, S.L. - [www.genwec.com](http://www.genwec.com)

---

#### Product specifications

Stainless steel base and bowl.  
Two spigots made of chromed brass tube.  
Green emergency epoxy finishing.

EYE WASHERS AND EMERGENCY SHOWERS **GW12 03 04 05 Floor standing Eyes washer**



- A: 1100 mm
- B: 180 mm
- C: 300 mm
- D: 125 mm

**Cleaning:** A cotton cloth slightly dampened in a soapy solution is recommended. Then dry off. Do not use any strong chemicals or cleaning agents that can be dangerous to children

**Use recommendations:** The staff must be trained in the use of the eye-washing. The eye-washing must be checked every two days.