

Features

- Oval-shaped basin creates a graceful and spacious bathing experience.
- Molded lumbar support and armrests offer extra comfort while bathing.
- Integral flange helps prevent water from seeping behind wall and simplifies alcove installation.

Material

- Acrylic.

Installation

- Right drain.
- Alcove.

Recommended Products/Accessories

K-1284 Removable Apron
K-1491 Bath/Whirlpool Pillow
K-24916 Wireless Music Kit
K-23726 Drain treatment
K-23732 Tub & shower cleaner
K-37380 30" Rough-in Cable Bath Drain
K-37383 Rough-in cable bath drain, PVC, 30" cable with tubing
K-7265 Clearflo Bath Drain
K-37386 rough-in cable drain, PVC, 30" cable
K-7213 27" Cable Bath Drain
K-7166-AF Bath Drain
K-7161-AF 1-1/2" adjustable pop-up drain above- or through-floor
K-7214 27" Cable Bath Drain



Codes/Standards




CSA B45.5/IAPMO Z124

KOHLER® Plastic Baths and Receptors Lifetime Limited Warranty

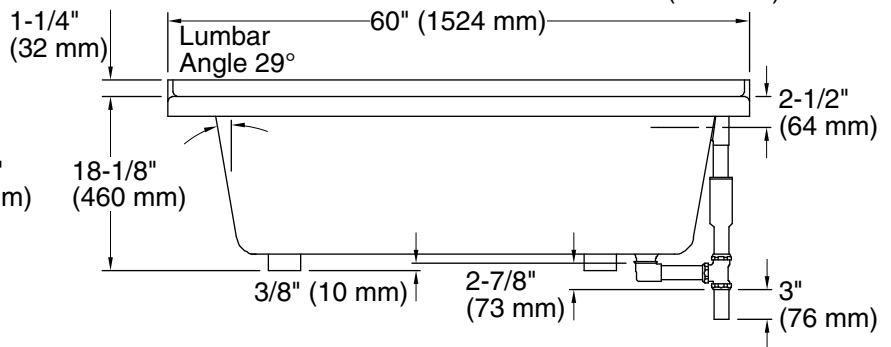
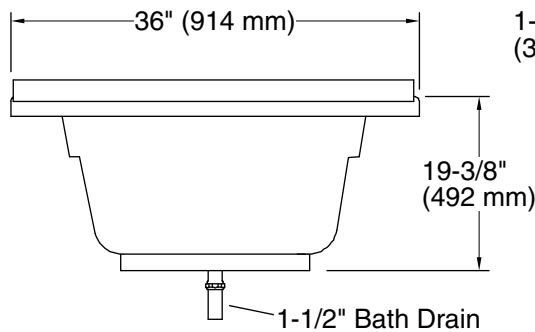
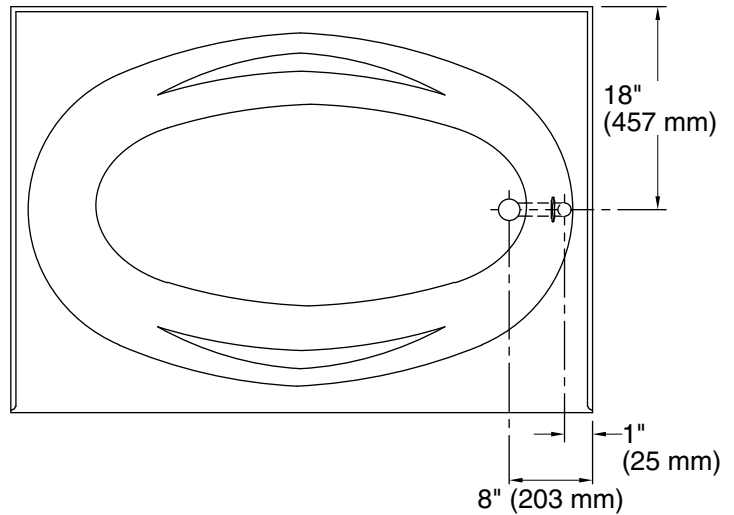
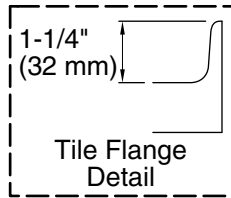
See website for detailed warranty information.

Available Colors/Finishes

Color tiles intended for reference only.

Color	Code	Description
	0	White
	96	Biscuit
	47	Almond

No change in measurements if connected with drain illustrated. (K-11677)



Technical Information

All product dimensions are nominal.

Installation:	Three-wall alcove
Drain location:	Right
Basin area, bottom:	46" x 15" (1168 mm x 381 mm)
Basin area, top:	55" x 25" (1397 mm x 635 mm)
Weight:	43 lbs (19.5 kg)
Minimum floor load:	80 lbs/ft ² (390.6 kg/m ²)
Water depth:	14" (356 mm)
Water capacity:	57 gal (215.8 L)
Cutout:	Drop-in, 58-1/2" x 34-1/2" (1486 mm x 876 mm)
Minimum flat for door:	2-3/4" (69 mm)

Notes

Measure your actual product for rough-in details.

Install this product according to the installation instructions.

The hot water supply should be 70% of the capacity of the bath or greater. Installations will vary.