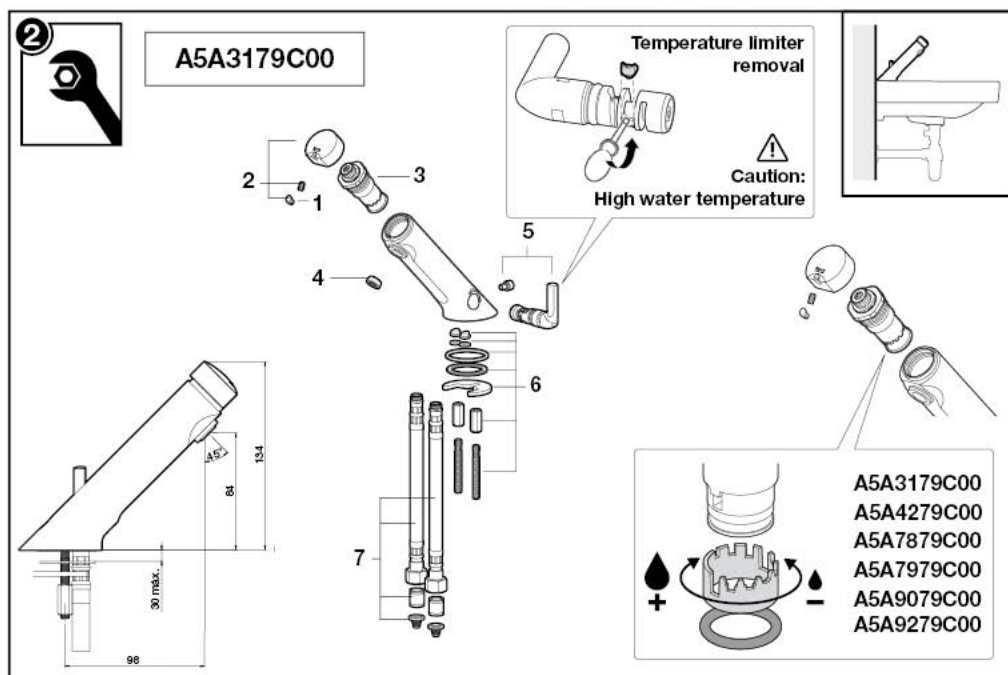
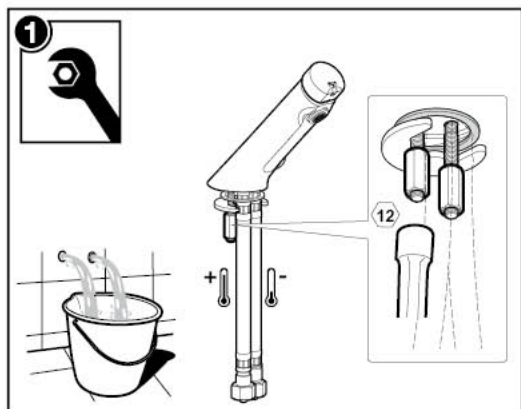




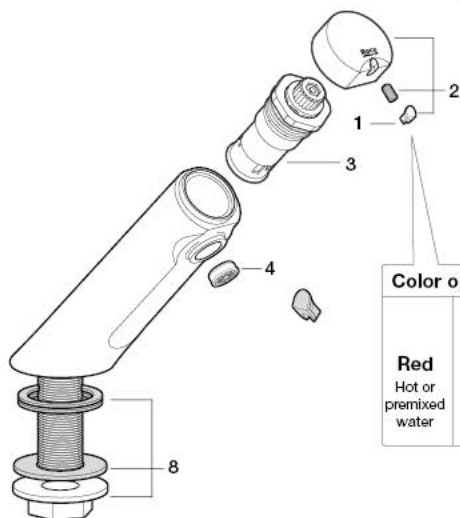
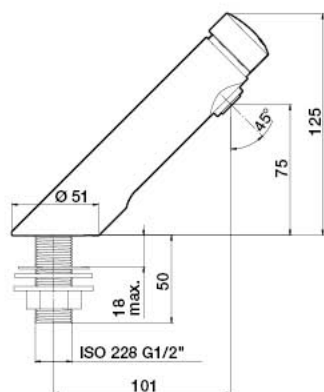
# Roca

## AVANT





A5A4279C00



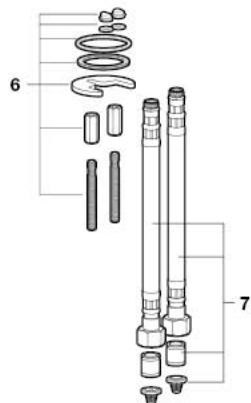
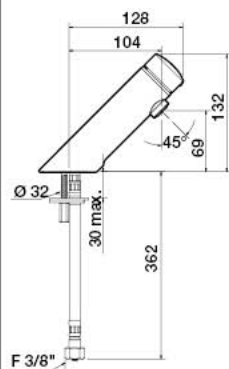
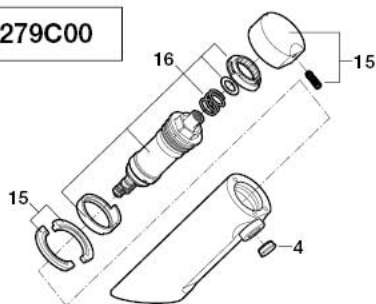
Color options

**Red**  
Hot or  
premixed  
water

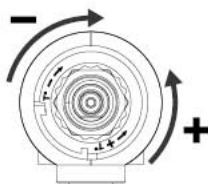
**Blue**  
Cold  
water



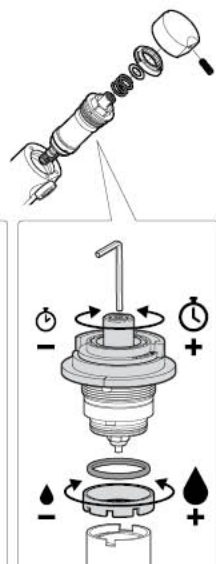
A5A3279C00

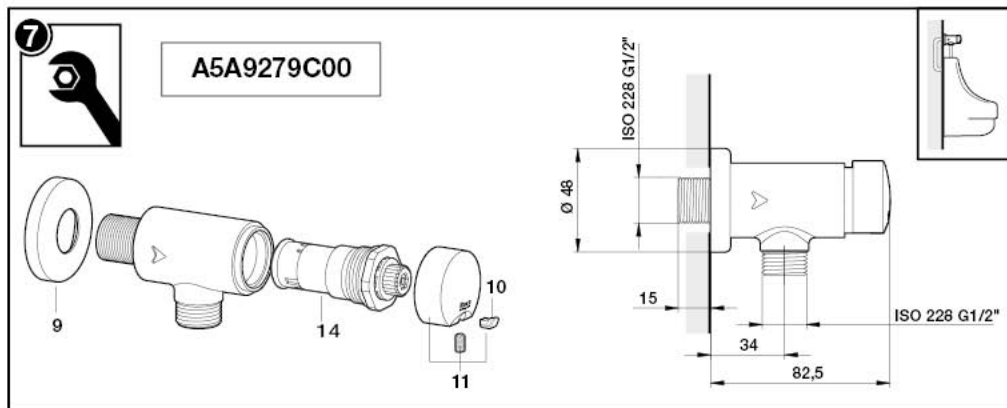
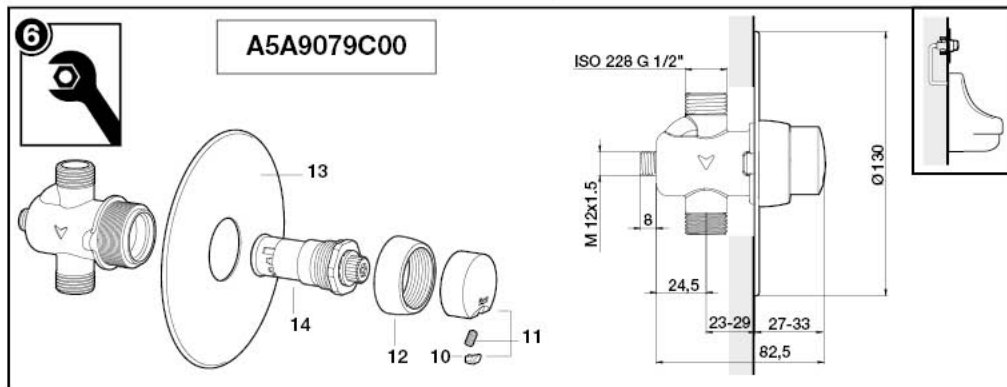
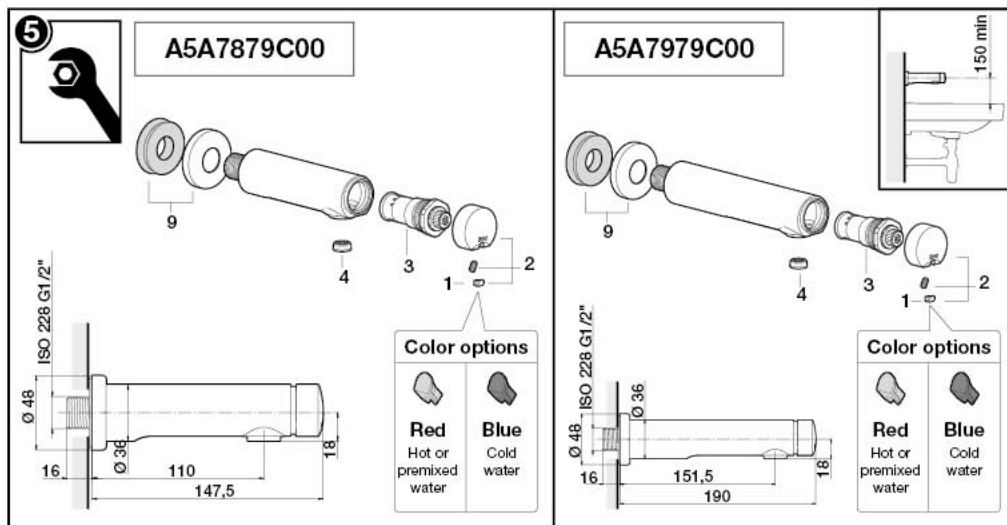


Temperature limiter ring





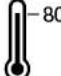
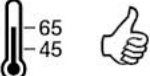








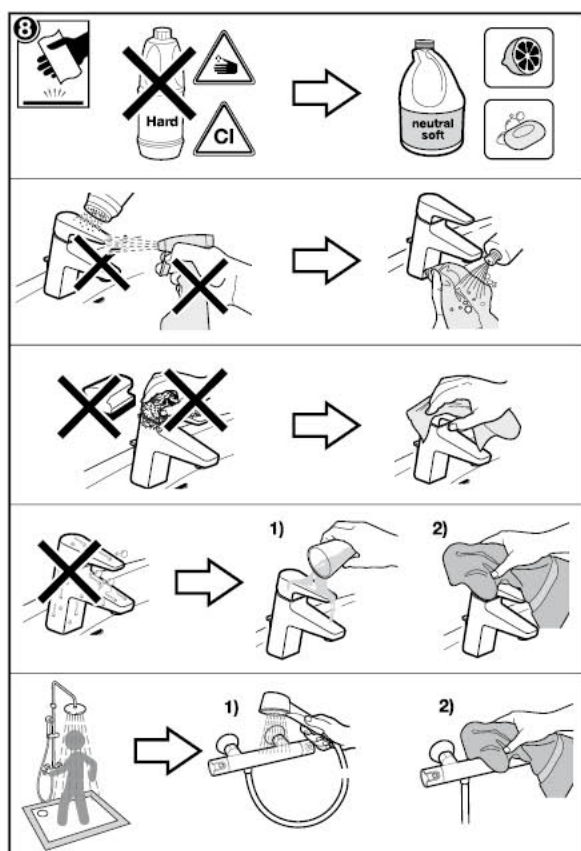
⚠  
Caution:  
High water temperature





1 - AG0097107R	5 - AG0097500R	9 - AG0097900R	13 - AG0098300R
2 - AG0097200R	6 - AG0097603R	10 - AG0098007R	14 - AG0100303R
3 - AG0097303R	7 - AG0097709R	11 - AG0098100R	15 - AG0127300R
4 - AG0097407R	8 - AG0097807R	12 - AG0098200R	16 - AG0127403R

	<b>P</b>	<b>P</b> bar		
	<b>T</b>	°C		
	<b>Q</b> (3 bar)	l/min		
		seg		



A5430982d

**Roca**

Roca Sanitario, S.A.  
Avda. Diagonal, 513  
08029 Barcelona  
SPAIN  
[www.roca.com](http://www.roca.com)

**902  
304  
848**   
LÍNEA DE  
ATENCIÓN AL  
CONSUMIDOR  
ESPAÑA

**902  
400  
423**   
SERVICIO  
TÉCNICO  
ESPAÑA

  
[productsupport.rs@roca.net](mailto:productsupport.rs@roca.net)  
[soporteproducto.rs@roca.net](http://soporteproducto.rs@roca.net)