



WE ARE IB

Collection

RUBACUORI

Article

RU800

Description

Rubacuori shower column thermostatic

Box Dimensions

1185x415x277 mm

Weight

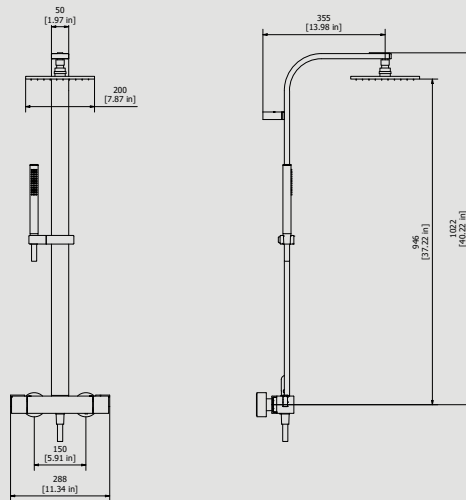
4 Kg

Finishes

- CC**
CHROME
- CF**
BLACK CHROME
- BG**
GLOSSY WHITE
- NG**
GLOSSY BLACK
- SS**
BRUSHED NICKEL
- CS**
BRUSHED BLACK CHROME
- BO**
MATT WHITE
- NP**
MATT BLACK
- OO**
GOLD
- BB**
ANTIQUÉ BRONZE
- II**
PALE GOLD
- RR**
ANTIQUÉ COPPER
- ORS**
ROSE GOLD
- ON**
NATURAL BRASS
- IS**
BRUSHED PALE GOLD
- HH**
PVD CHOCOLATE



Dimensions



Cartridge

IB Termostatic Ceramics Cartridge

Treaded fitting

Treaded fitting G1/2" male

Aerator

Flow Rate (+/-10%)

**1 BAR
8 l/min**

**2 BAR
12 l/min**

**3 BAR
14.5 l/min**

Production

Main body is a single casted pieces

Material

**BRASS
According to CuZn39Pb3 (CW614N)
Max Lead content:2.5%**

IB RUBINETTERIE s.p.a
via dei Pianotti 3/5
25068 Sarezzo (BS) - Italy -

T. +39 030 802101
F. +39 030 803097
info@weareib.it

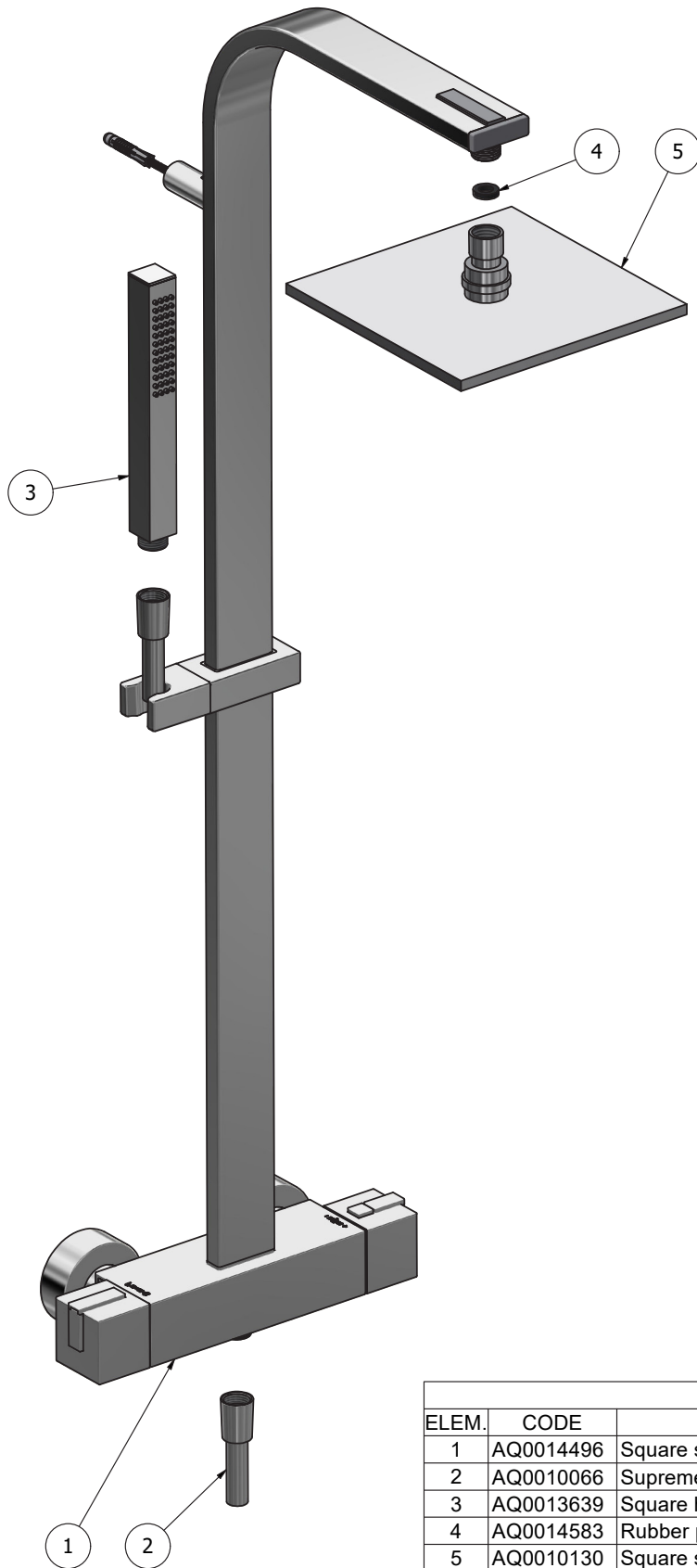
P.IVA 01785230986
capitale sociale
€420.000,00 i.v.

www.weareib.it





WE ARE IB



Parts list

ELEM.	CODE	DESCRIPTION	QTÀ
1	AQ0014496	Square shower column with termostatic	1
2	AQ0010066	Supreme chromalux flexible hose	1
3	AQ0013639	Square hand shower OnAir	1
4	AQ0014583	Rubber packing G1/2" H4	1
5	AQ0010130	Square shower 200x200	1



WE ARE IB

WARRANTY

All IB Rubinetterie SpA products are warranted for 10 years from the date of purchase, for the following cases:

- Defects of casting, porosity and chrome plating.
- Operating defects caused by incorrect fabrication.

The warranty provides for repair or replacement of products with fabrication defects recognized by our technical office. There is no other type of compensation anche the merchandise must be returned FOB our warehouse. The warranty only cover surface defects (scatches, dings, etc.) on fitting that have not been installed and used, returned in its original packaging with all components. O-ring, gasket seals and components subject to wear proportional to use are warranted for 2 years.

The warranty is void in the following cases:

Error installing and putting the product into service.

Deterioration of finished surfaces due to use of cleaning products containing acids or abrasive substances. Deterioration of surface with finishes other than chrome plating. Their durability is, in fact, dependent on the user's care and gentleness of use.

Deterioration of the fitting due incorrect installation.

Improper repairs and maintenance performed without the company's prior authorization.

The warranty from IB Rubinetterie SpA is not renewable.

Cleaning

We recommended cleaning the finish surfaces with water and soap, using a soft cloth.

Do not use detergents that contain hydrochloric acid or abrasive substances.

