

STAINLESS STEEL SANITARY TOILETS **GW08 30 04 01 600mm Collective washbasin**



**Product description**

AISI 304 stainless steel collective washbasin  
Brushed finish  
Wall frame support

(\*) Tap holes not included

---

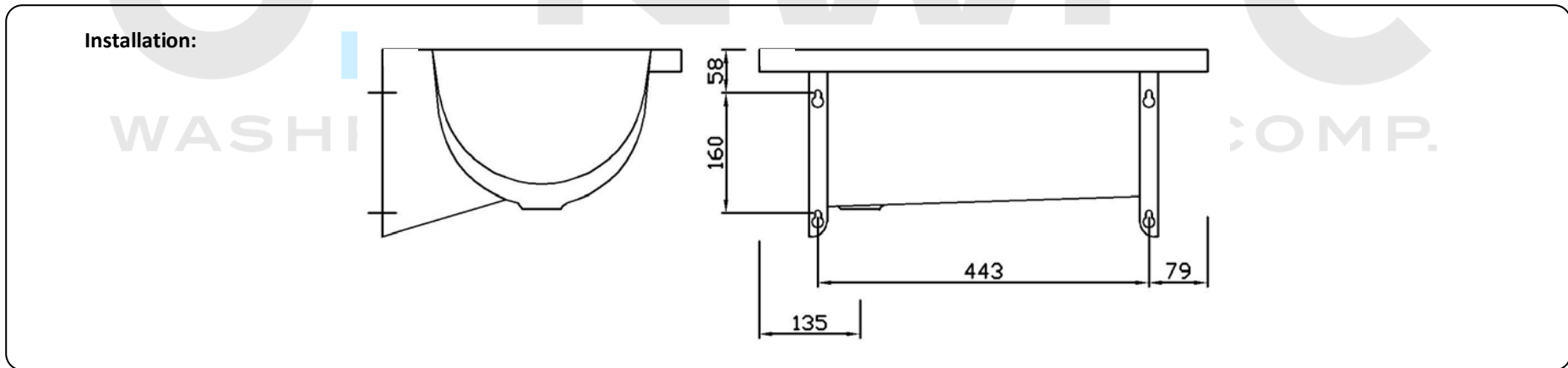
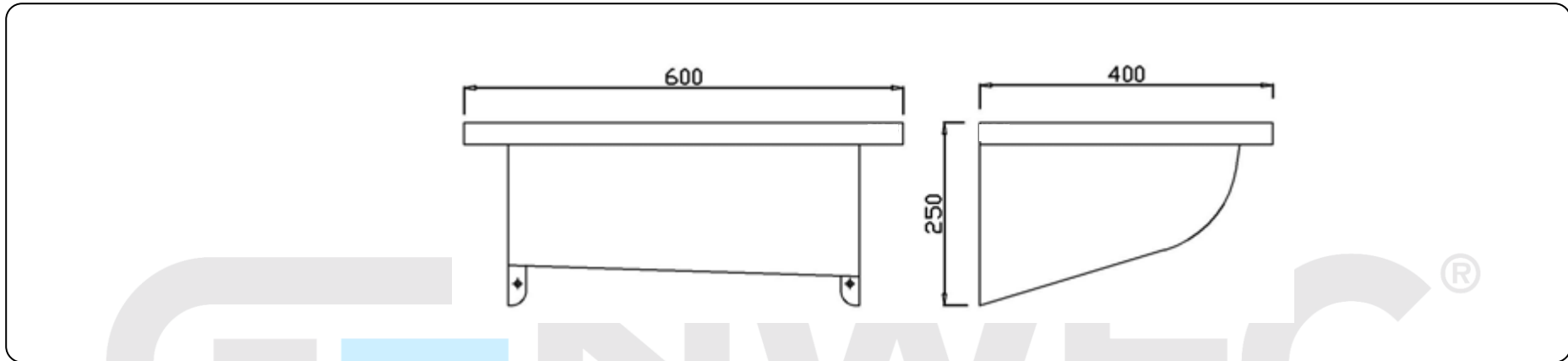
**Technical specifications:**

Collective washbasin without taps. The main body, made of AISI 304 stainless steel consists in a sink with drainage system. The assembly of the unit is done by setting to the wall with screws. The unit has a brushed finish that gives adequate resistance against the use. The total dimensions of the product are 250x600x400mm. The reference of the product is GW08 30 04 01, manufactured by GENWEC WASHROOM S.L. - Av. Joan Carles I, 46-48 - c.p: 08908 L'Hospitalet de Llobregat - Barcelona. [www.genwec.com](http://www.genwec.com).

**Technical features:**

**Product specifications**

Washbasin made of AISI304 stainless steel.  
Anti vandalism wall mounted washbasin.  
Brushed finish.  
Sink with drainage system.



**Cleaning:** A cotton cloth slightly dampened in a soapy solution is recommended. Then dry off. Do not use any strong chemicals or cleaning agents that can be dangerous to children.