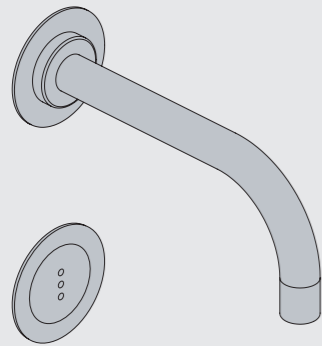




Fitting instruction
Montageanleitung
Monteringsvejledning

Monteringsvægledning
Montage hanleiding
Manuel de montage

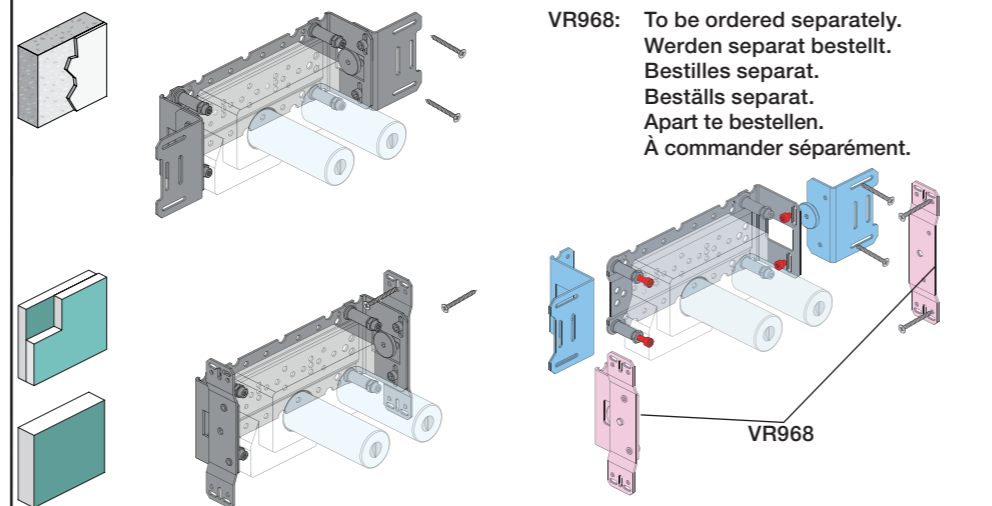
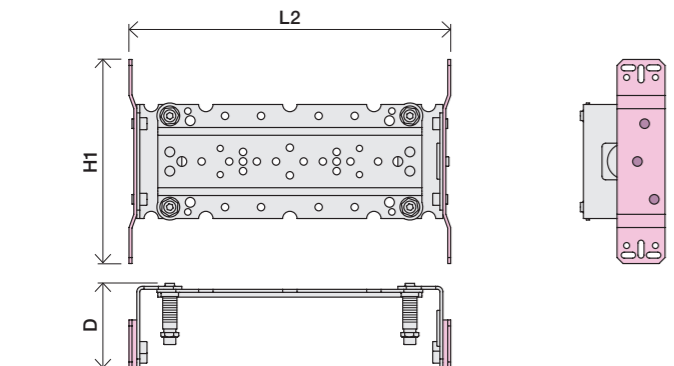
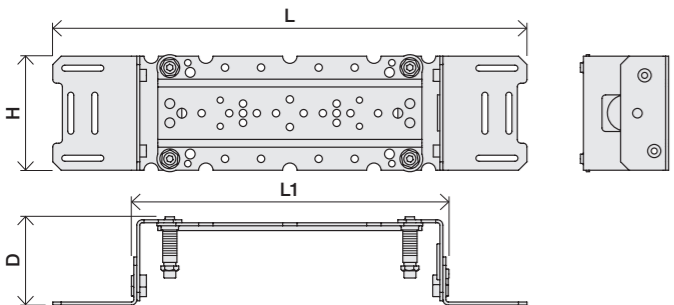


www.vola.com
mnt_4900_V2_40998511

vola

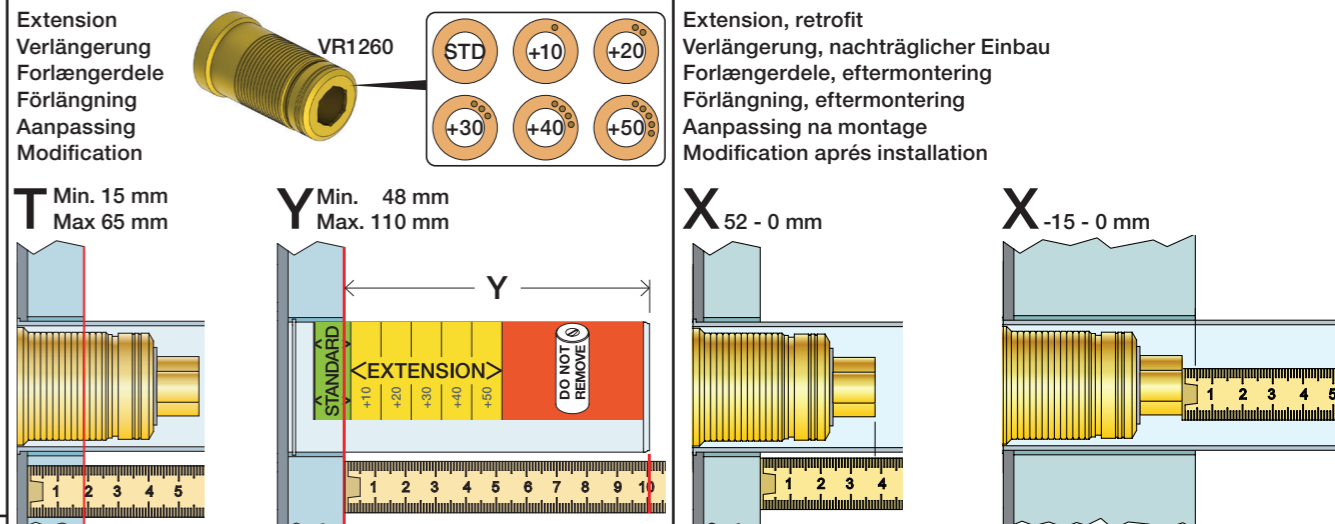
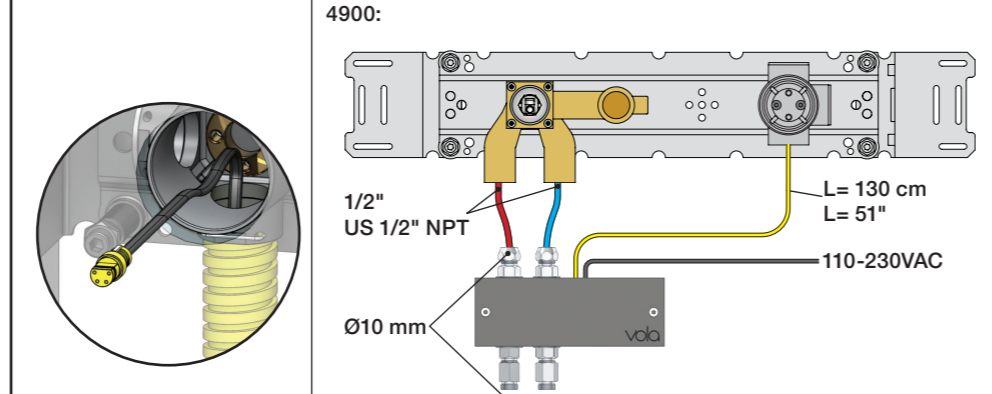
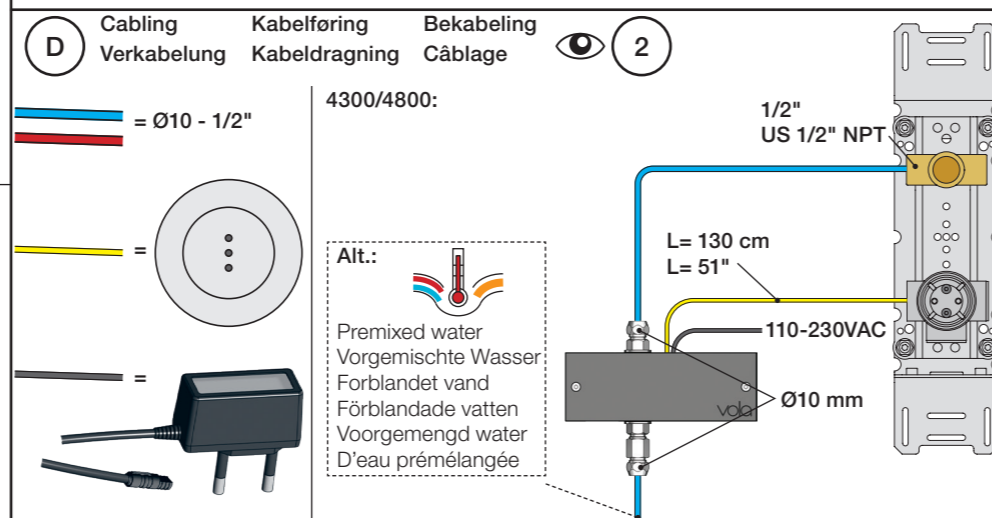
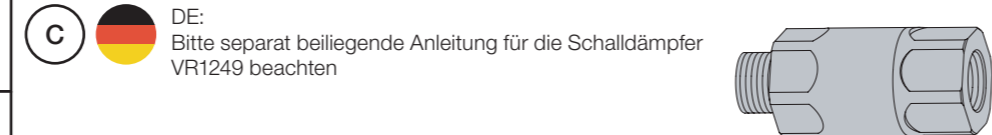
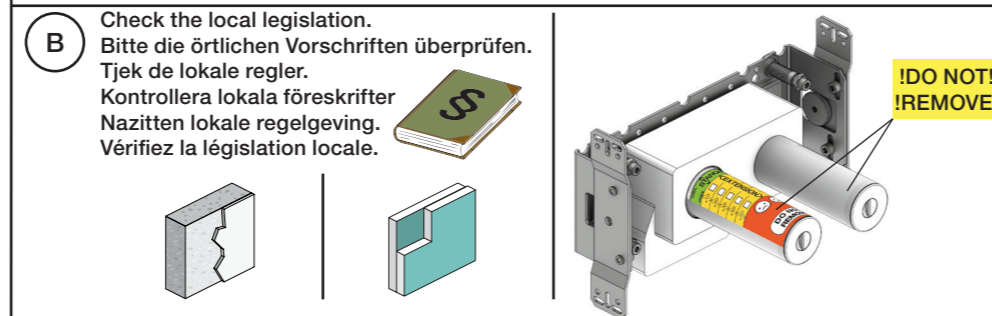


| | L | L1 | L2 | H | H1 | D |
|-----------------|-------------------|---------------|-------------------|------------------|------------------|-----------------|
| 4300 | 395 mm 15 1/2" | 264 mm 10" | 268 mm 10 1/2" | | | |
| 4800 | 490 mm 19 1/2" | 359 mm 14" | 367 mm 14 1/2" | 95 mm 3 3/4" | 170 mm 6 3/4" | 70 mm 2 3/4" |
| 4900 | 570 mm 23" | 439 mm 17" | 447 mm 17 5/8" | | | |
| 4900VS, 4900VSX | 395 mm 15 1/2" | 264 mm 10" | 268 mm 10 1/2" | 214 mm 8 1/4" | | |

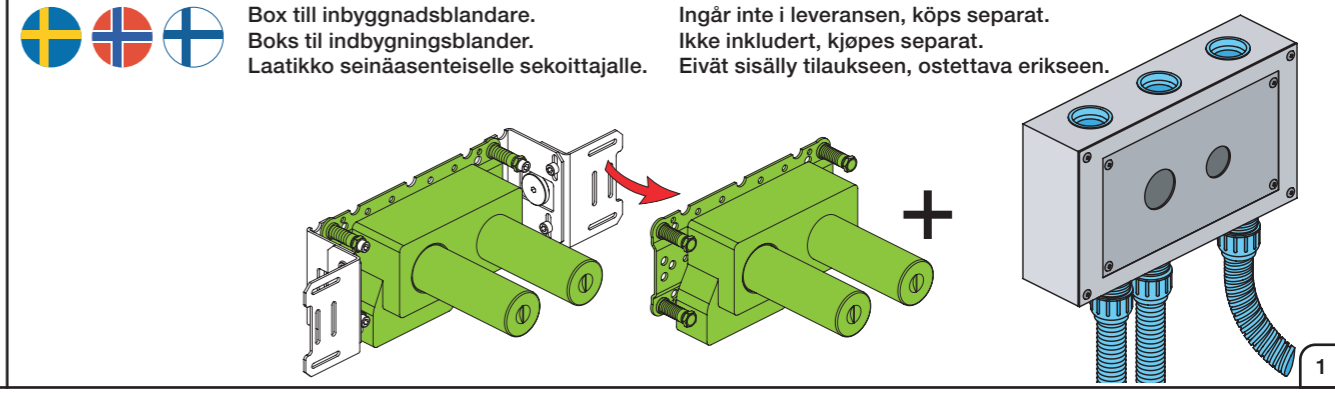
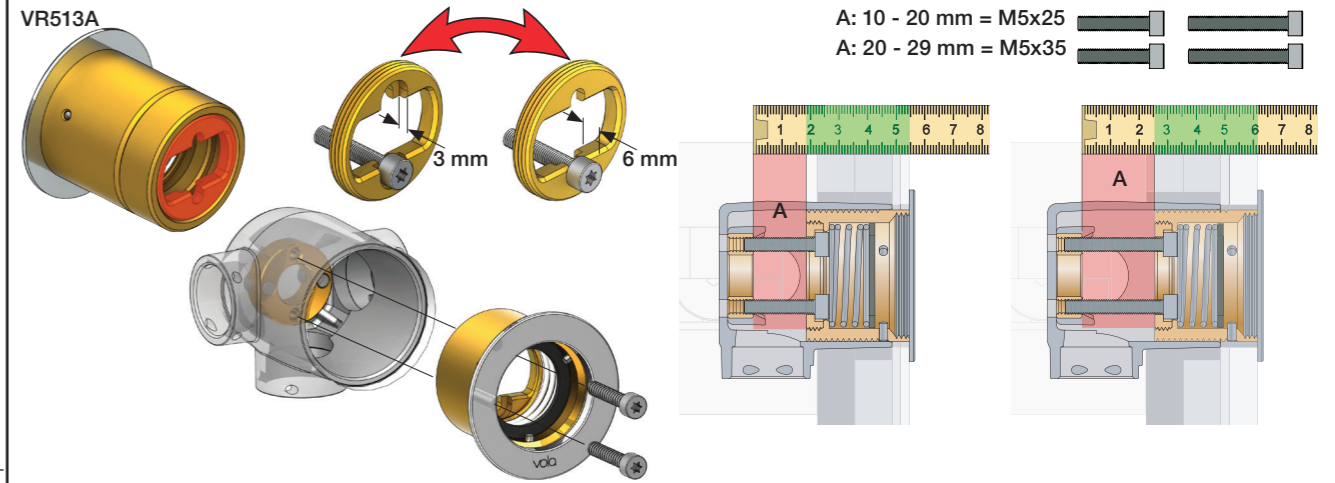
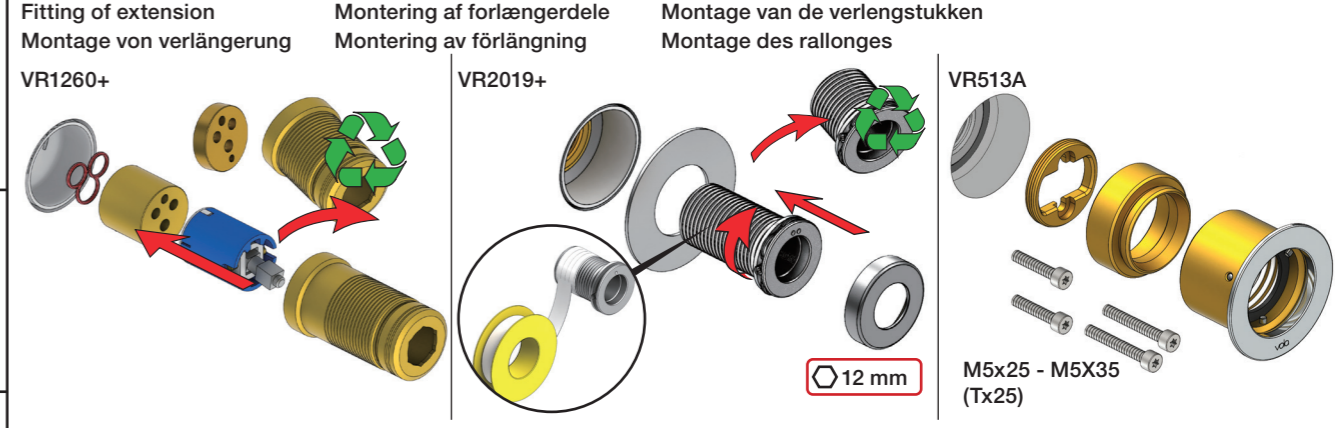


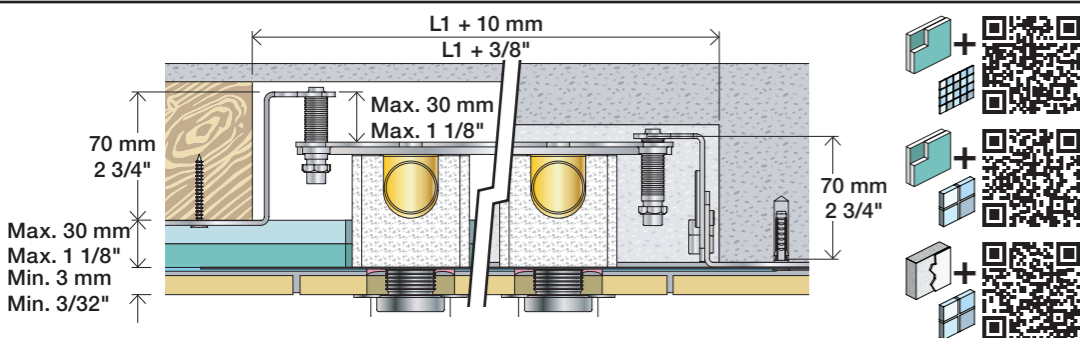
A Data, 3 Bar/43.5 Psi:

| | l/min. | Gal/min. | |
|-------|--------|----------|--|
| 4300: | 30.0 | 7.9 | Max. 65°C, 150°F Max.: 10 Bar/145 psi |
| 4800: | 30.0 | 7.9 | |
| 4900: | 18.3 | 4.8 | |



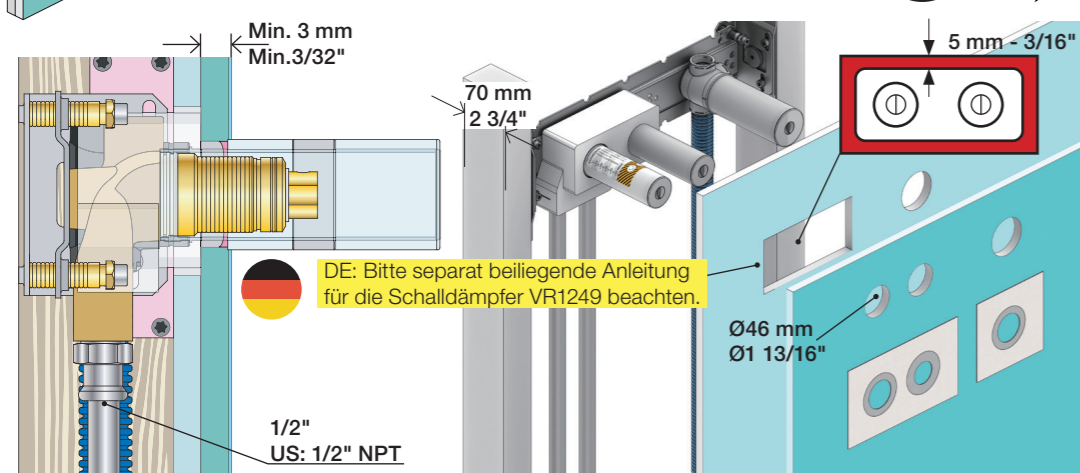
| | T | Y | VR1260/VR2019 | VR513A | X | VR1260/VR2019 | VR513A |
|--|------------|-------------|---------------|--------|------------|---------------|--------|
| | 3 - 15 mm | 110 - 98 mm | Std. | Std. | 40 - 52 mm | Std. | Std. |
| | 15 - 25 mm | 98 - 88 mm | +10 | x1 | 30 - 40 mm | +10 | x1 |
| | 25 - 35 mm | 88 - 78 mm | +20 | x2 | 20 - 30 mm | +20 | x2 |
| | 35 - 45 mm | 78 - 68 mm | +30 | x2 | 10 - 20 mm | +30 | x2 |
| | 45 - 55 mm | 68 - 58 mm | +40 | x3 | 0 - 10 mm | +40 | x3 |
| | 55 - 65 mm | 58 - 48 mm | +50 | x3 | -10 - 0 mm | +50 | x3 |





2x13 mm Lightweight wall
 Leichtwand
 Let væg

Lätta konstruktion
 Holle wandconstructie
 Construction légère



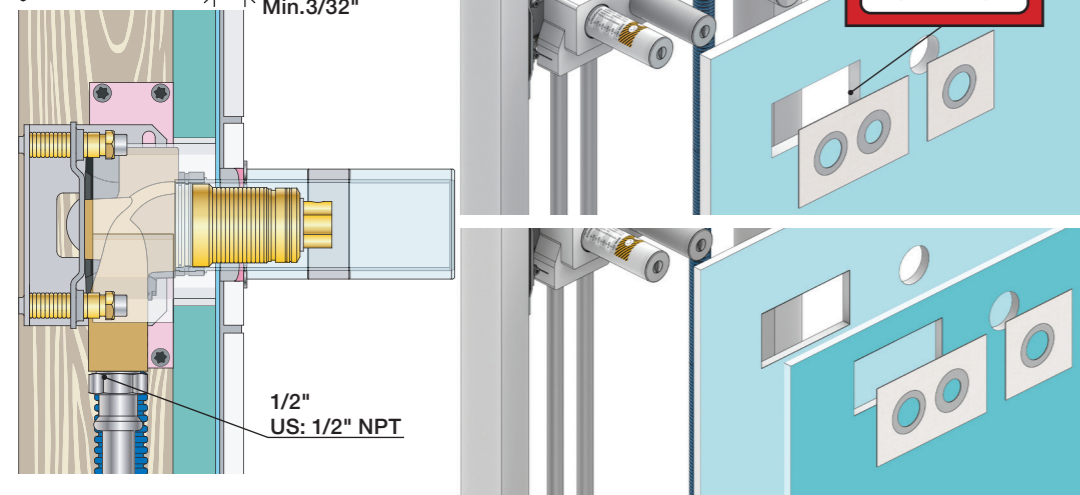
DE: Bitte separat beiliegende Anleitung für die Schalldämpfer VR1249 beachten.

1x15 mm
 1x18 mm
 1x20 mm

2x13 mm

Lightweight wall
 Leichtwand
 Let væg

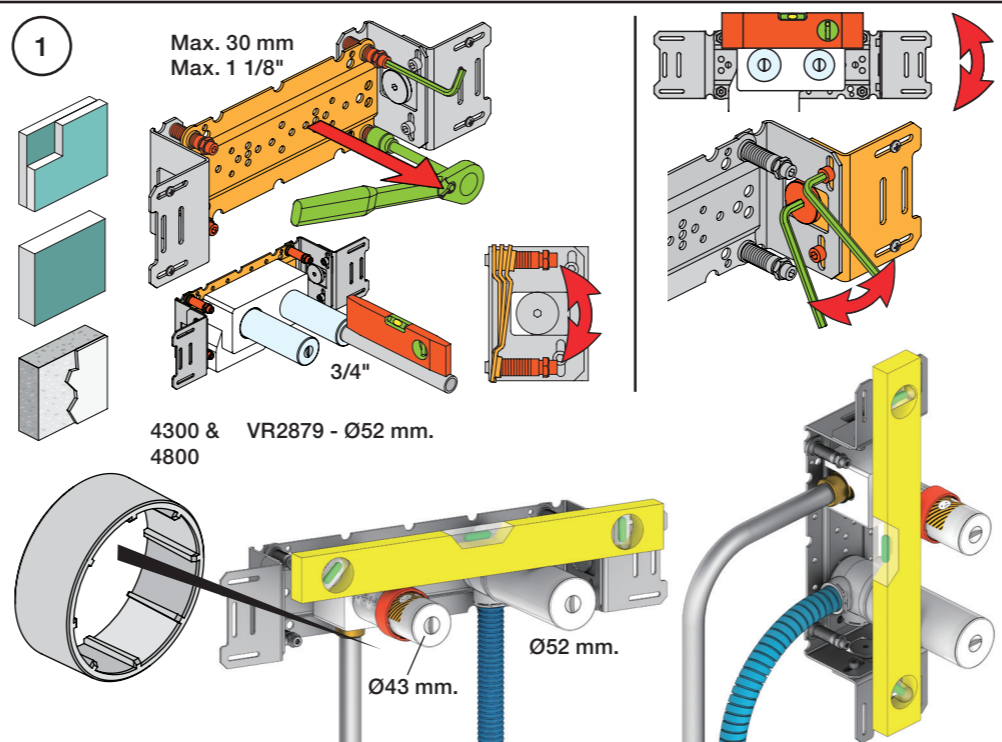
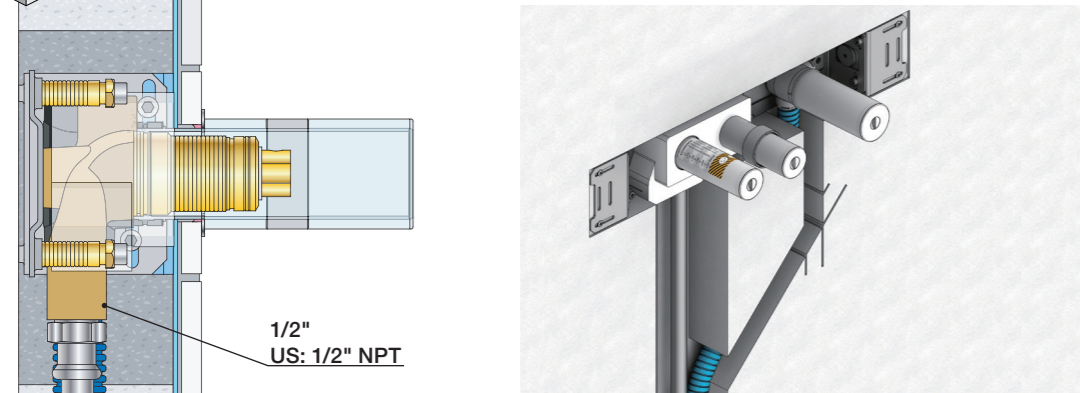
Lätta konstruktion
 Holle wandconstructie
 Construction légère



Masonry
 Mauerwerk

Murværk
 Murverk

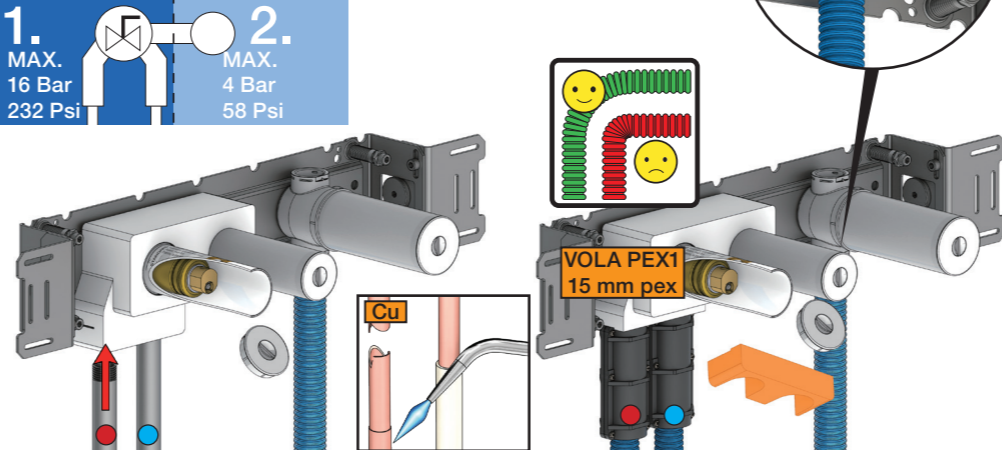
Massive wand
 Mur Plein



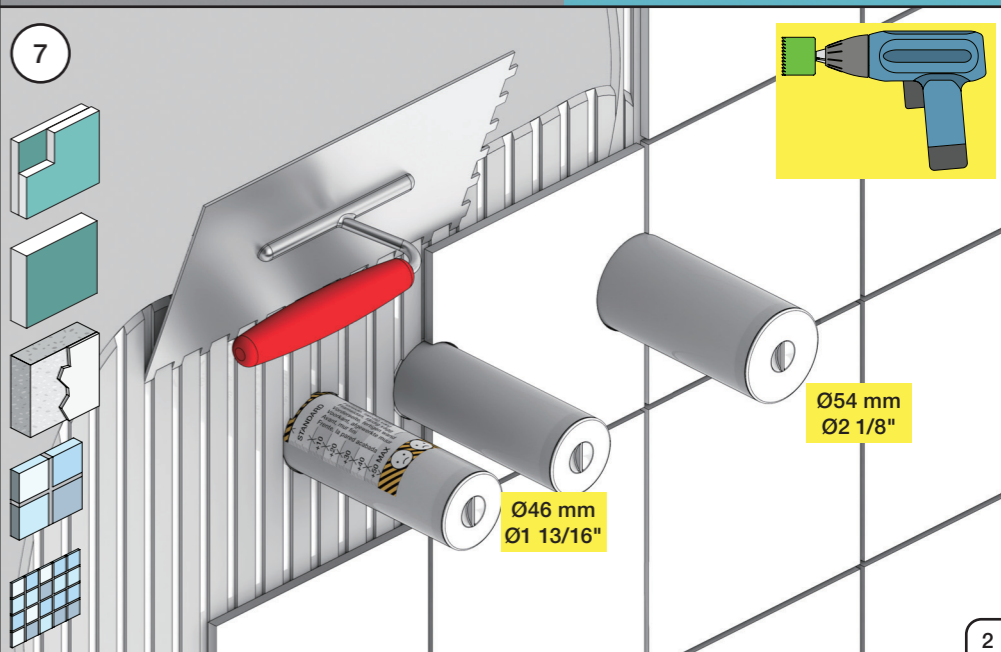
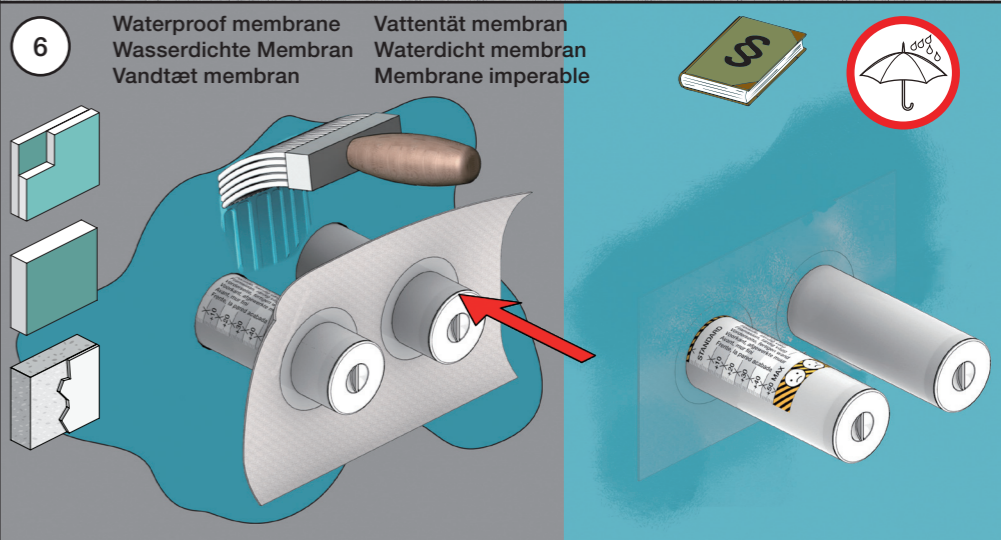
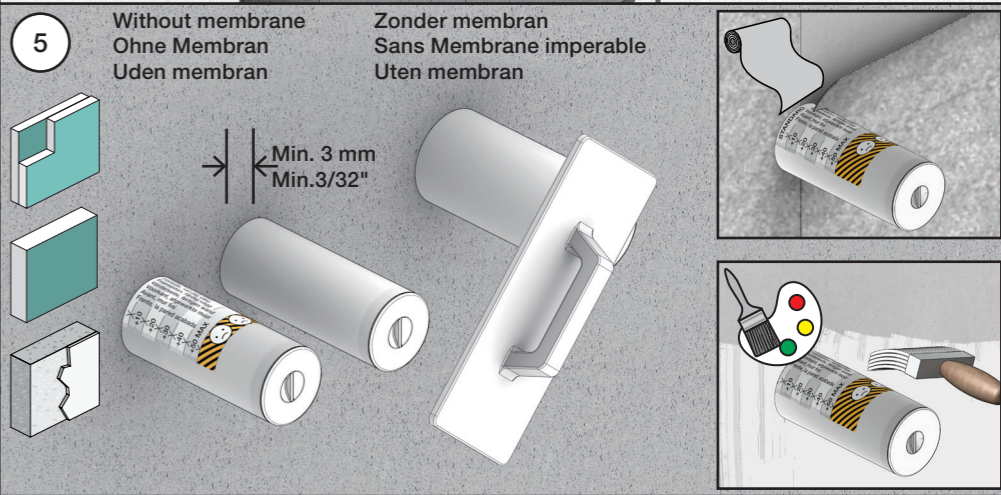
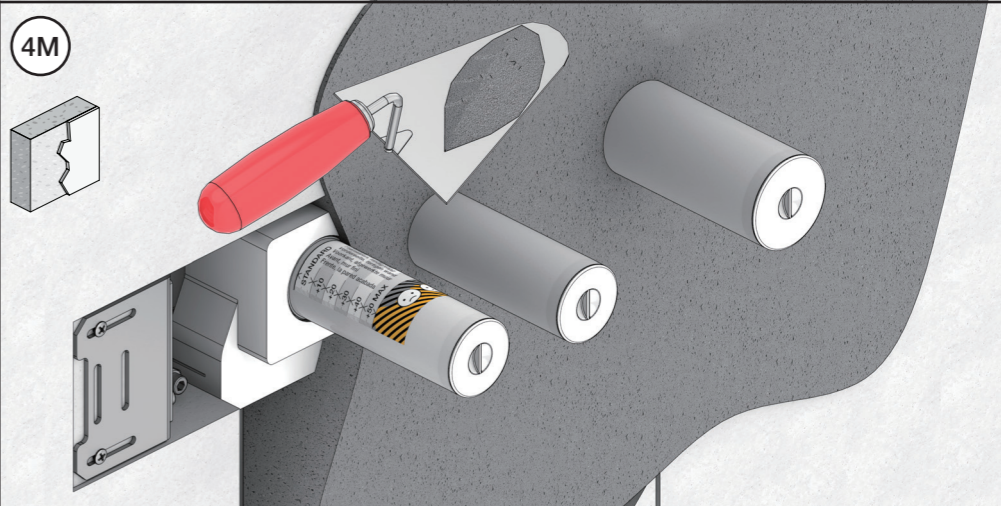
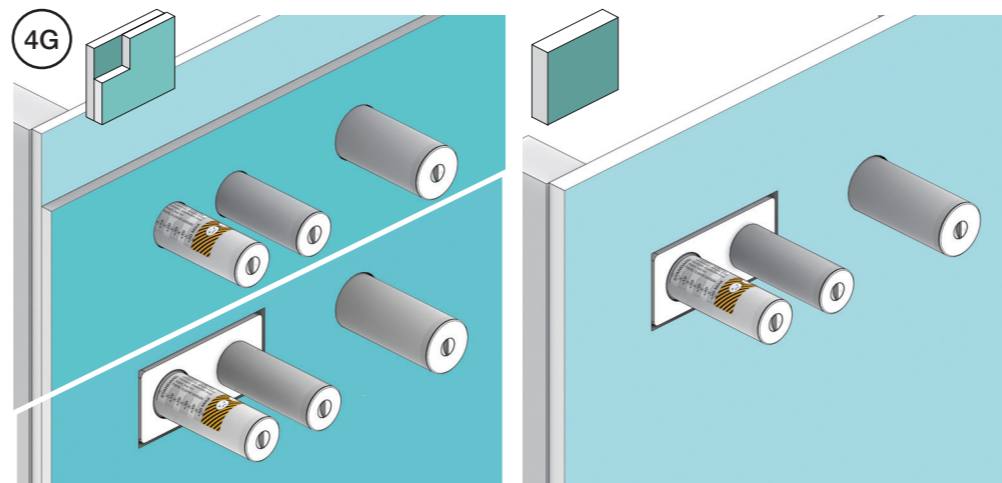
2 Test Pressure
 Prüfdruck
 testtryk
 Test tryck
 Test druk
 test de pression

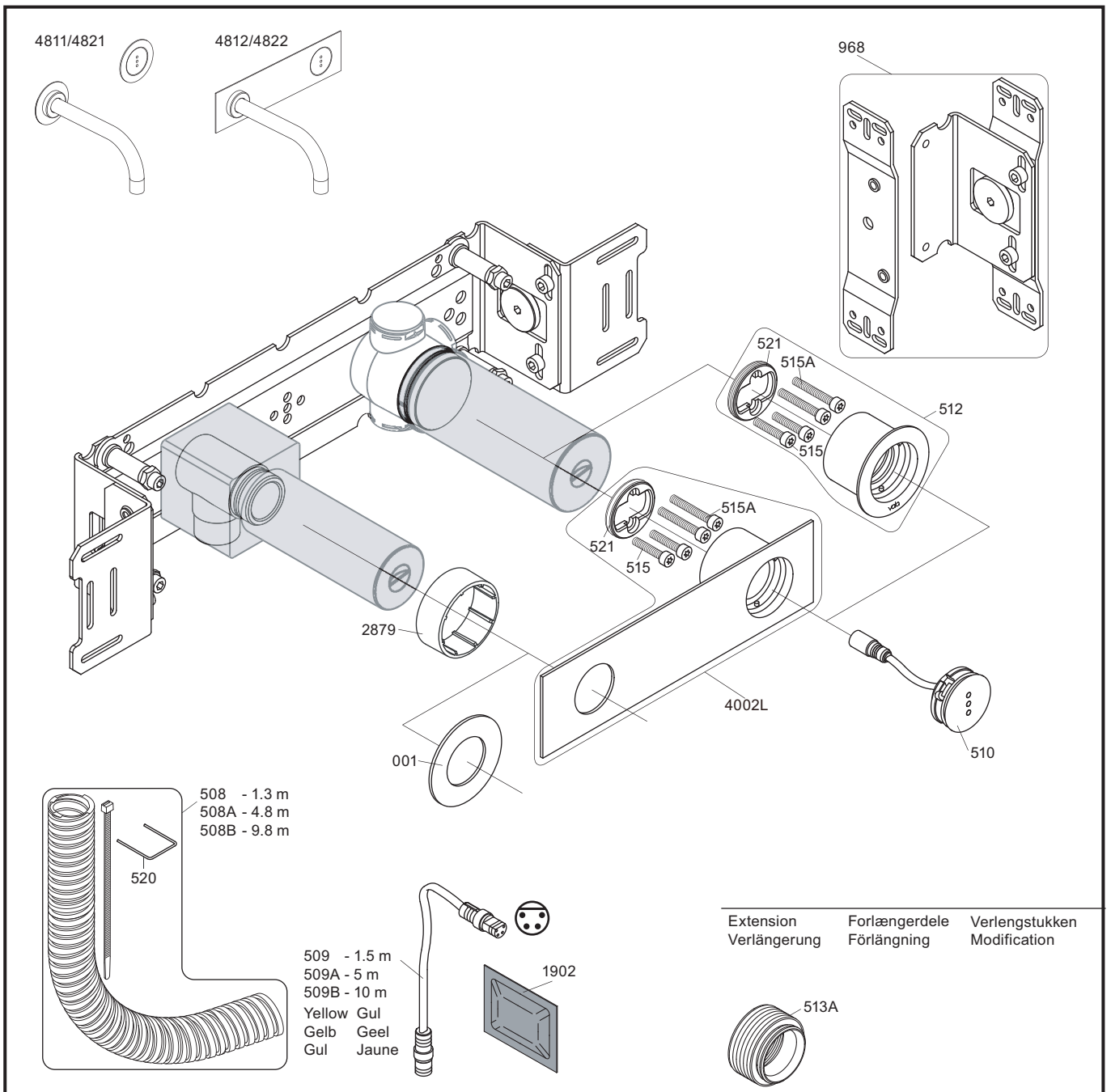
Check the local legislation.
 Bitte die örtlichen Vorschriften überprüfen.
 Tjek de lokale regler.
 Kontrollera lokala föreskrifter.
 Nazitten lokale regelgeving.
 Vérifiez la législation locale.

! Water - Wasser - Vand ! MAX 1 Minute - Minut !
! Vatten - Water - L'eau ! MAX 1 Minuut !

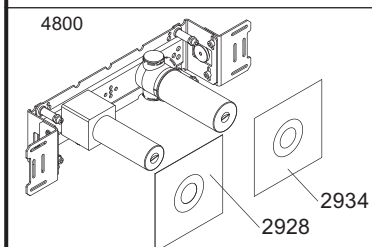


3 Flush installation
 Installation Spülen
 Skyl installation
 Sköjlj installation
 Kraan doorspoelen
 Rincer l'installation





VR512: 2xVR515, 2xVR515A VR521
VR4002L: 2xVR515, 2xVR515A VR521



vola
Lunavej 2
DK-8700 Horsens
Tlf : + 45 7023 5500
sales@vola.com
www.vola.com

VOLA 4800

Date
Apr. 21

Rev.
2

Sheet
SB 40.48