



#### Product description

Eyes-washing in high resistance ABS and anti-UV methacrylate with stainless steel base  
Automatic flow-rate reducer  
Operated by lateral push lever or foot pedal  
Green emergency epoxy finishing  
Two spigots of low pressure ventilated water

---

#### Technical specifications:

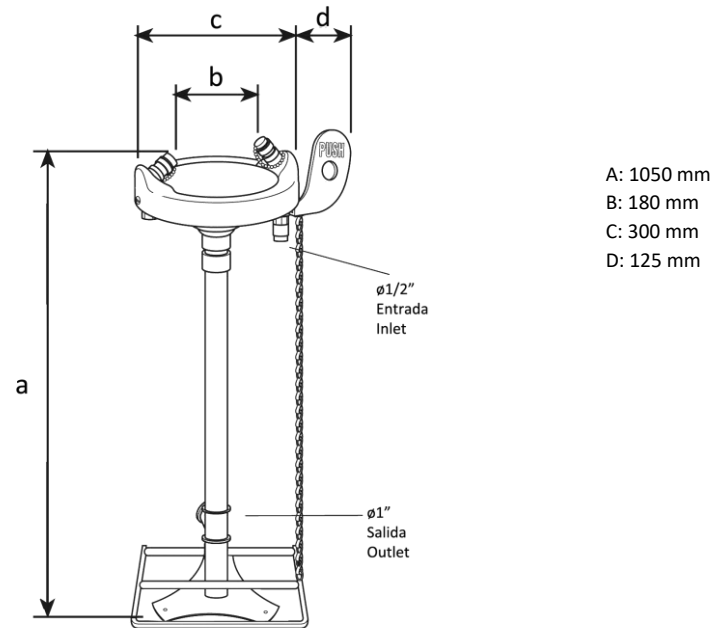
Wall mounted eyes-washing. The product composes of a base, a bowl and two spigots. The bowl and the spigots are located on the top of the stainless steel base. The support of the spigots is inside the anti-UV methacrylate bowl. The spigots and their support are made of chromed brass tube. The water supply must ensure a minimum flow of eyes-washing of 6l/min. at a pressure of 2 bar for 15 minutes. The eye-washing supplies a flow of 11 l/min. under pressures from 1 to 9 bar. The set has a green emergency epoxy finishing. The product is fixed to the floor with 3 screws located on the base and should be positioned so that the spigots are located at a height between 80 and 115 cm. The product code is GW12 03 03 05, manufactured by GENWEC WASHROOM, S.L. - [www.genwec.com](http://www.genwec.com)

---

#### Product specifications

Stainless steel base  
ABS and anti-UV methacrylate bowl.  
Two spigots made of chromed brass tube.  
Green emergency epoxy finishing.

EYE WASHERS AND EMERGENCY SHOWERS **GW12 03 03 05 Floor standing Eyes washer**



**Cleaning:** A cotton cloth slightly dampened in a soapy solution is recommended. Then dry off. Do not use any strong chemicals or cleaning agents that can be dangerous to children

**Use recommendations:** The staff must be trained in the use of the eye-washing. The eye-washing must be checked every two days.