

### Features

- Six Flexjet® hydromassage jets can be individually adjusted for water flow and direction.
- Variable speed pump for adjusting massage intensity.
- Built-in heater.
- Generous 72" length provides spacious bathing for up to two people.
- Integral lumbar support.
- Multiple pump location options give you more choices for installation and access. (See specification sheet for pump locations.)
- Textured bottom surface.

### Material

- KOHLER® enameled cast iron.

### Installation

- Drop-in or undermount.
- Reversible drain.

### Required Products/Accessories

K-7169-AF 1-1/2" Contoured Pop-up Drain  
K-9696 Whirlpool 6-Jet Trim Kit

### Recommended Products/Accessories

K-1179 Vinyl Tiling-in Bead  
K-1703 Whirlpool Remote Control  
K-586 Under-Mount Installation Kit  
K-1172 Adjustable feet  
K-1491 Bath/Whirlpool Pillow  
K-1601 Bath/Whirlpool Footstop  
K-702200-G54 Frameless Sliding Bath Door  
K-702200-G73 Frameless Sliding Bath Door  
K-702200-L Frameless Sliding Bath Door  
K-702205-L Frameless Sliding Bath Door  
K-23726 Drain treatment  
K-23725 Cast iron cleaner

### Included Components

Additional Components:  
40" (1016 mm) cable



ADA

### Codes/Standards




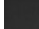
ASME A112.19.1/CSA B45.2  
ASME A112.19.7/CSA B45.10  
ASTM F462  
UL 1795  
CSA C22.2 No. 218.2  
ADA  
ICC/ANSI A117.1

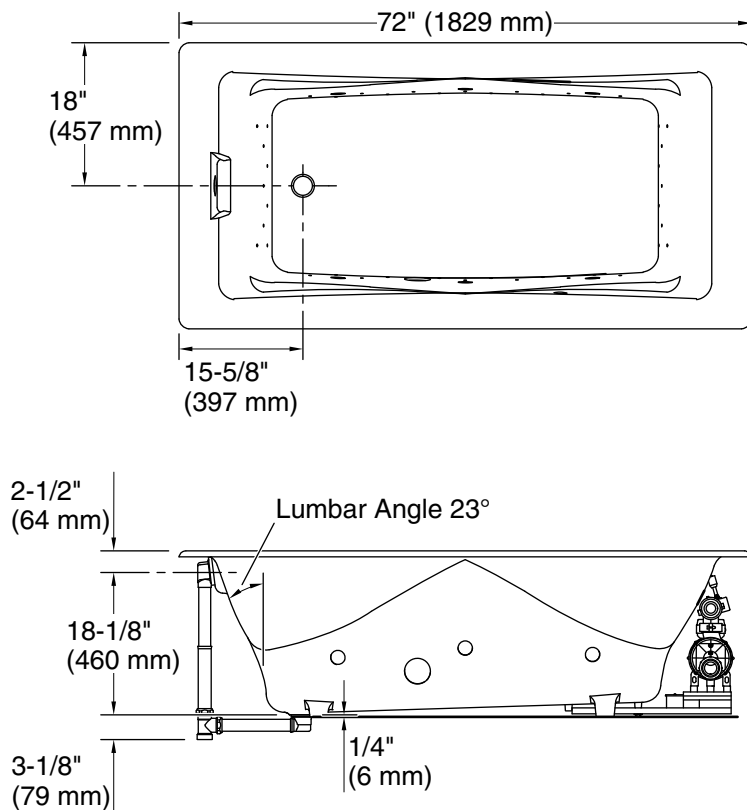
### KOHLER® Hydrotherapy Components Five-Year Limited Warranty KOHLER® Enameled Cast Iron Bath and Shower Base Lifetime Limited Warranty

See website for detailed warranty information.

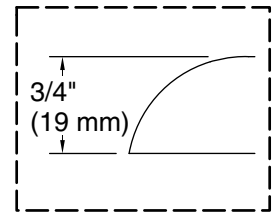
### Available Colors/Finishes

*Color tiles intended for reference only.*

Color	Code	Description
	0	White
	96	Biscuit
	NY	Dune
	7	Black Black™

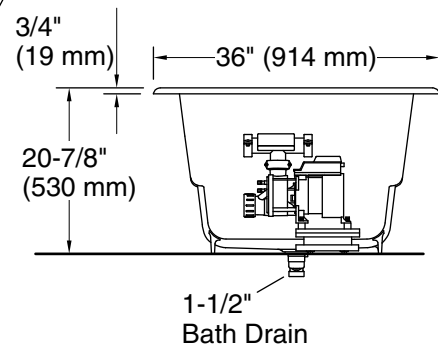


No change in measurements if connected with drain illustrated. (K-7169AF)



Drop-in Rim Detail

Blower Motor Access  
20" (508 mm) W x 15" (381 mm) H Min



### Required Electrical Service

Two dedicated circuits required, protected with Class A Ground-Fault Circuit-Interrupter (GFCI). Outside North America, this device may be known as a Residual Current Device (RCD).

Pump: 120 V, 15 A, 60 Hz  
Heater: 120 V, 15 A, 60 Hz

### Technical Information

All product dimensions are nominal.

Installation: Drop-in, Undermount  
Drain location: End  
Basin area, bottom: 49" x 22" (1245 mm x 559 mm)  
Basin area, top: 62" x 28" (1575 mm x 711 mm)  
Weight: 455 lbs (206.4 kg)  
Minimum floor load: 69 lbs/ft<sup>2</sup> (336.9 kg/m<sup>2</sup>)  
Water depth: 17" (432 mm)  
Water capacity: 89 gal (336.9 L)  
Cutout: Drop-in, 70-1/4" x 34-1/2" (1784 mm x 876 mm)  
Template: K-582, not required, not included  
Electrical component rating: Pump: 120 V, 7 A, 60 Hz  
Heater: 120 V, 12 A, 60 Hz

### Notes

Measure your actual product for rough-in details. Install this product according to the installation instructions.

The hot water supply should be 70% of the capacity of the bath or greater. Installations will vary.

ADA compliant when installed to the specific requirements of these regulations.