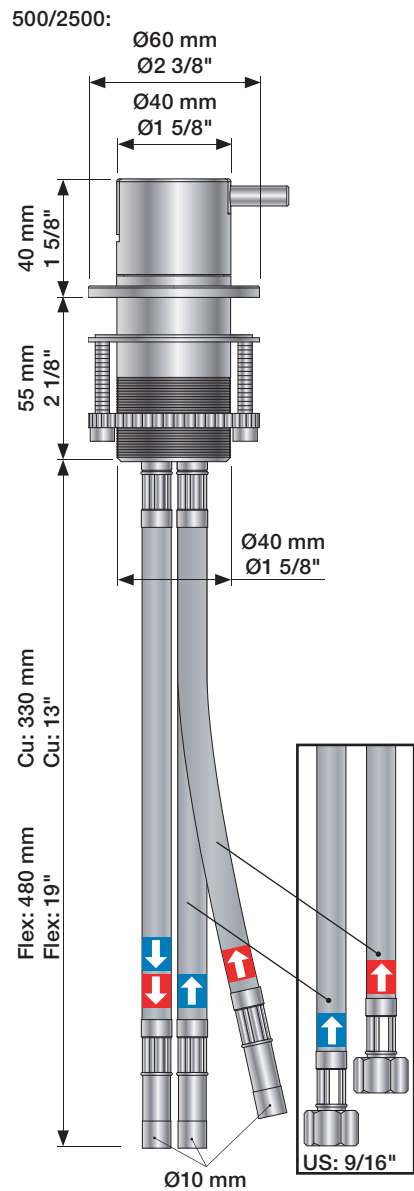
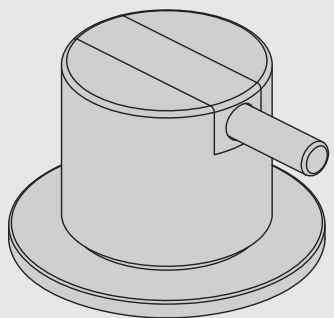


VOLA 500, 590, 500T1
 VOLA 2500
 VOLA SC1, SC3, SC5, SC7, SC9, SC10, SC12

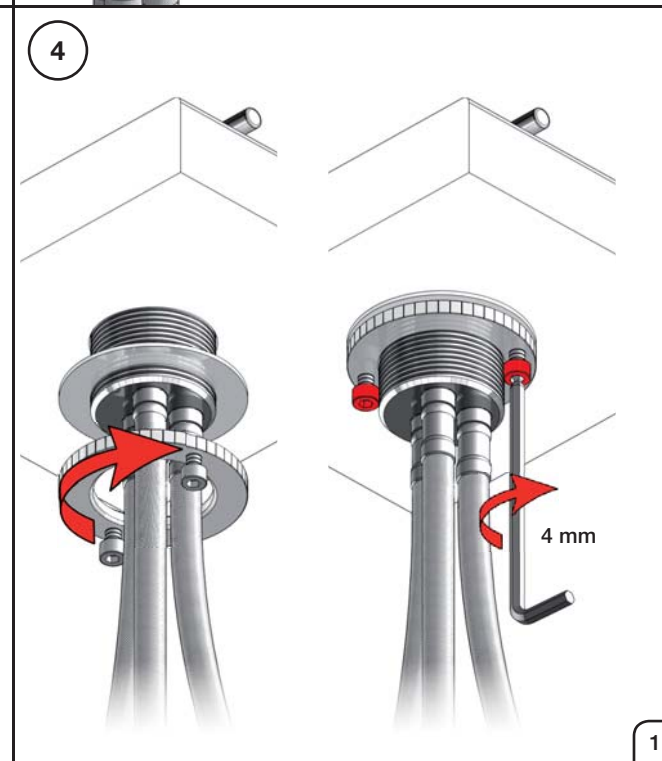
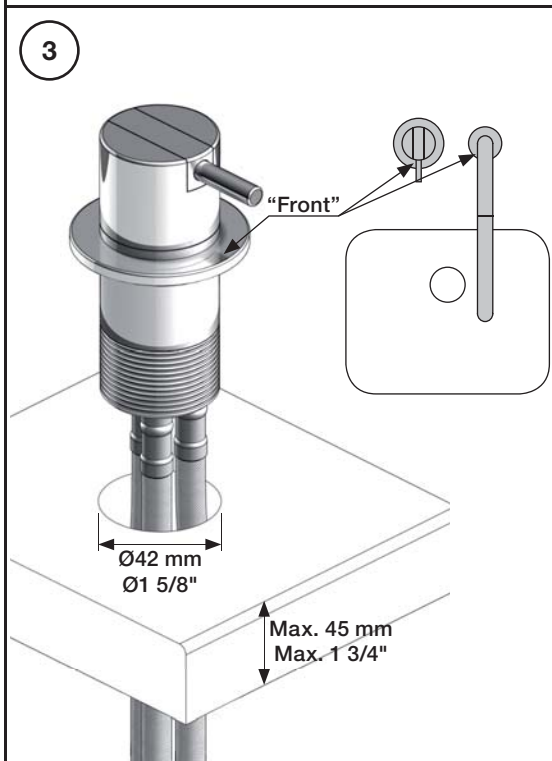
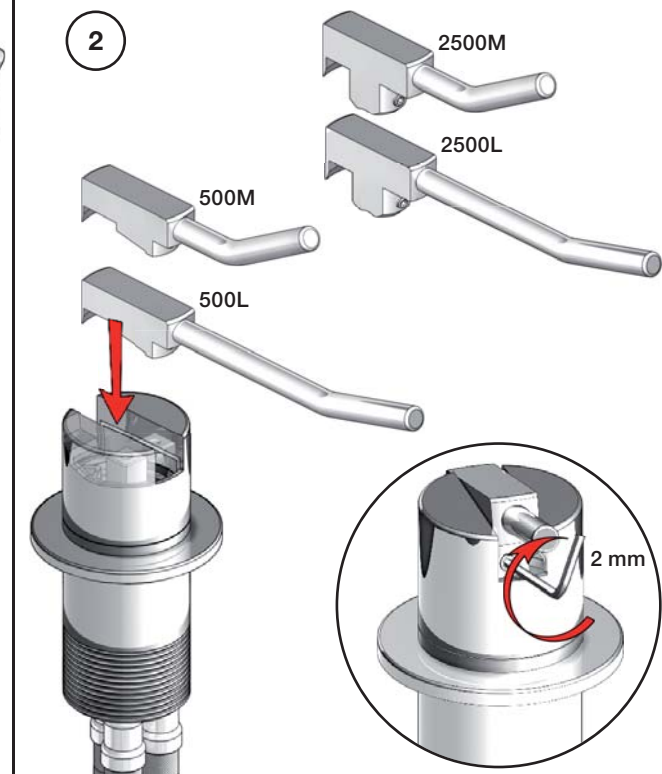
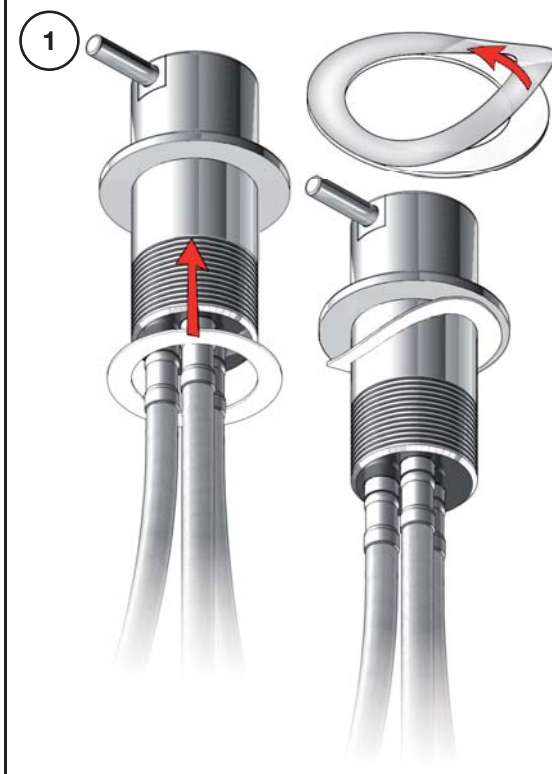
Fitting instruction
 Montageanleitung
 Monteringsvejledning
 Monteringsvægledning
 Montage hanleiding
 Manuel de montage

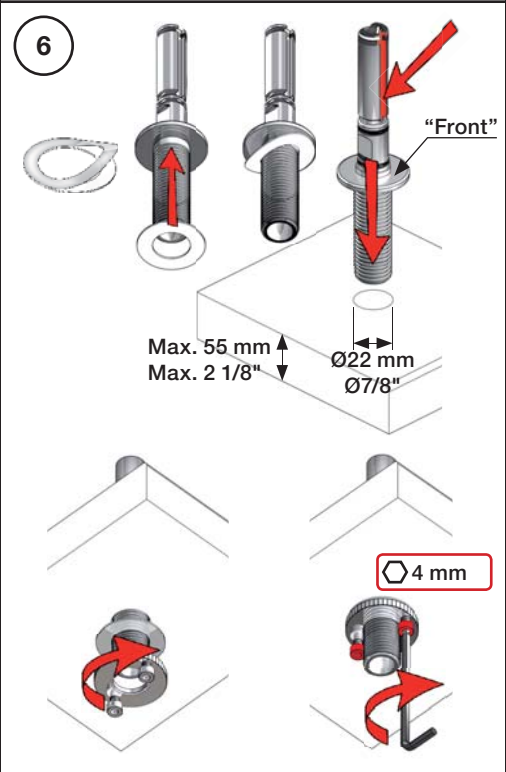


Data, 3 Bar /43.5 Psi:

	l/min.	Gal/min.
500:	14,5	3.8
590:	9,0	2.4
500-T1:	11,0	2.9
2500:	18,7	4.9
SC1:	18,7	4.9
SC5, 7:	18,0	4.8
SC9:	11,0	2.9

Max. 65°C, 150°F

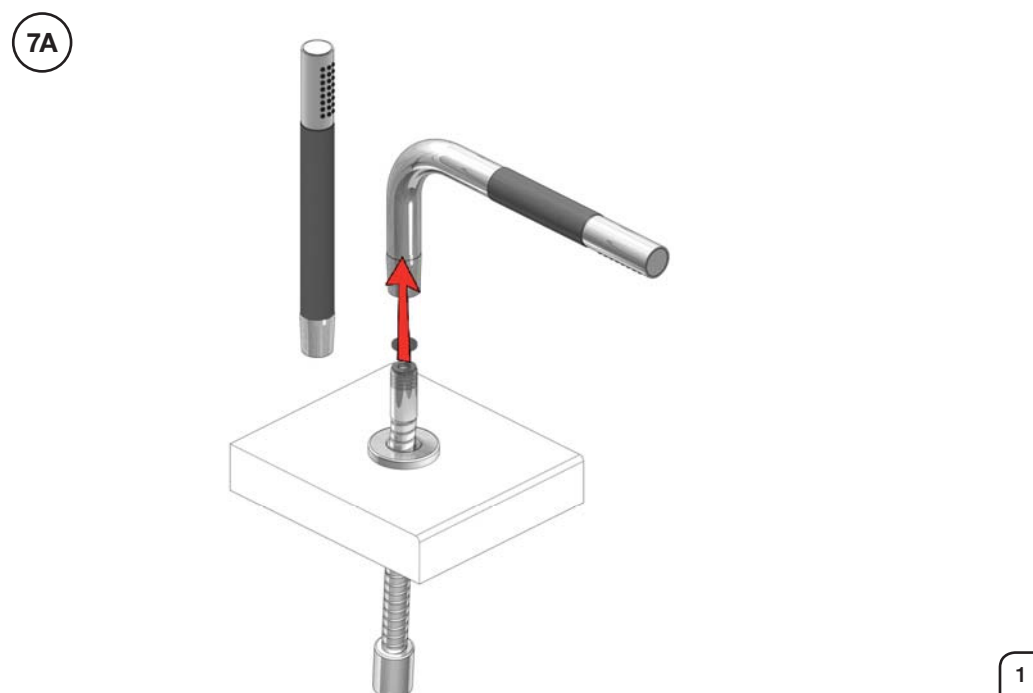
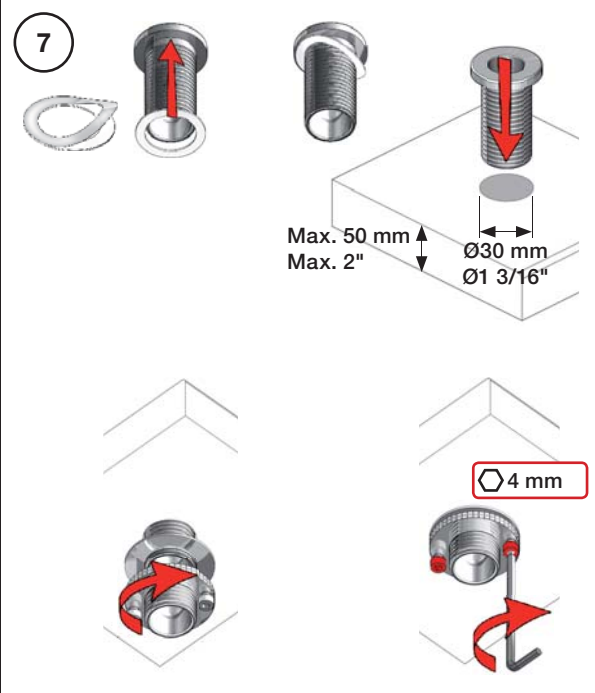
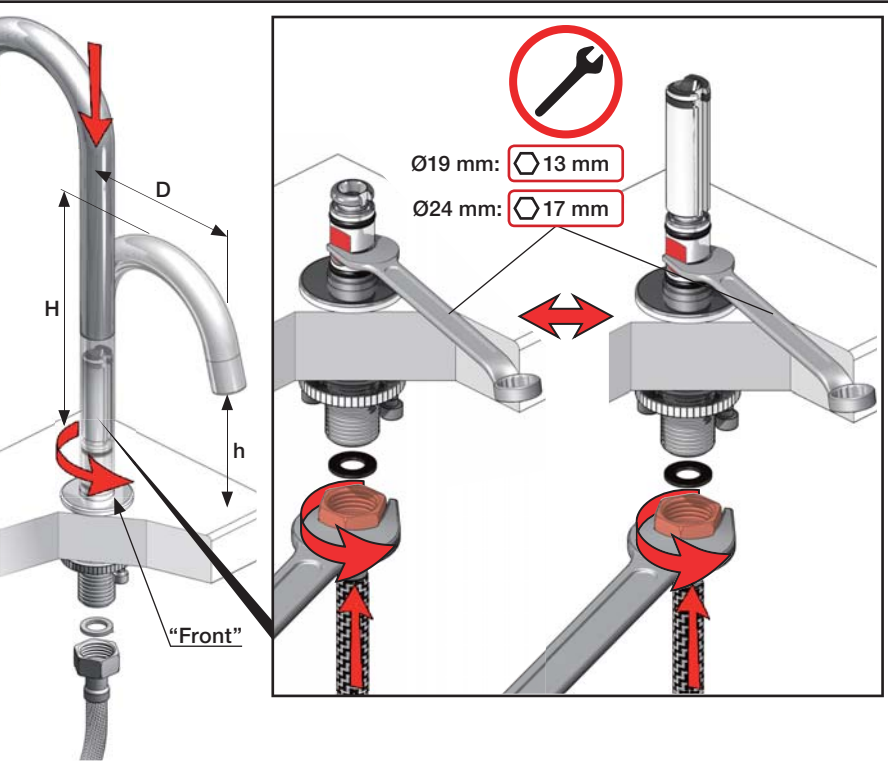




6A

mm:	H	D	h
090	210	200	145
090A	110	85	40
090B	185	100	114
090C	185	100	114
090D	220	200	130
090E	170	200	65
090G	185	140	105
090H	265	230	155
090I	325	230	216
090V	355	145	270

Inches:	H	D	h
090	8 1/2"	8"	5 3/4"
090A	4 1/4"	3 1/2"	1 1/2"
090B	7"	4"	4 1/2"
090C	7"	4"	4 1/2"
090D	8 3/4"	8"	5"
090E	6 3/4"	8"	2 1/2"
090G	7"	5 1/2"	4"
090H	10 1/2"	9"	6"
090I	12 3/4"	9"	8 1/2"
090V	14"	5 3/4"	10 1/2"



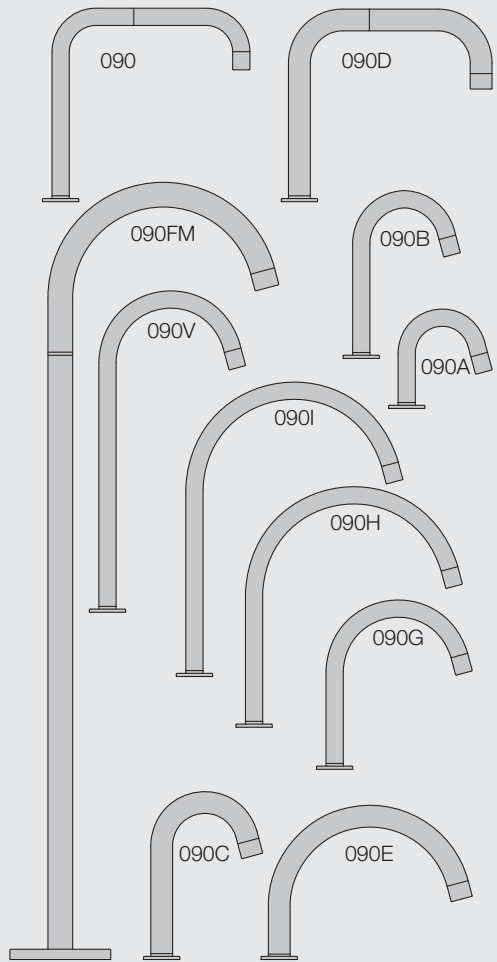
VOLA 090, 090A, 090B:
 VOLA 090C, 090D, 090E:
 VOLA 090G, 090H, 090I, 090V:

1 - 4

VOLA 090FM:

5

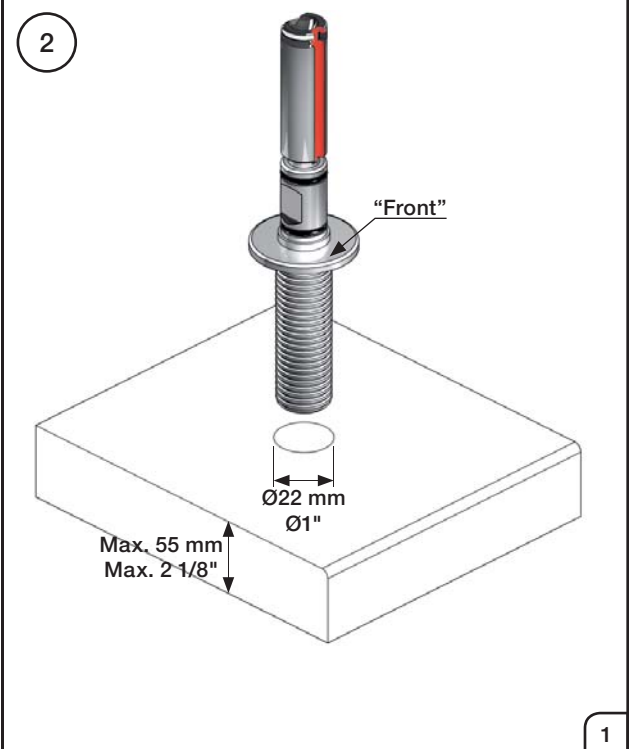
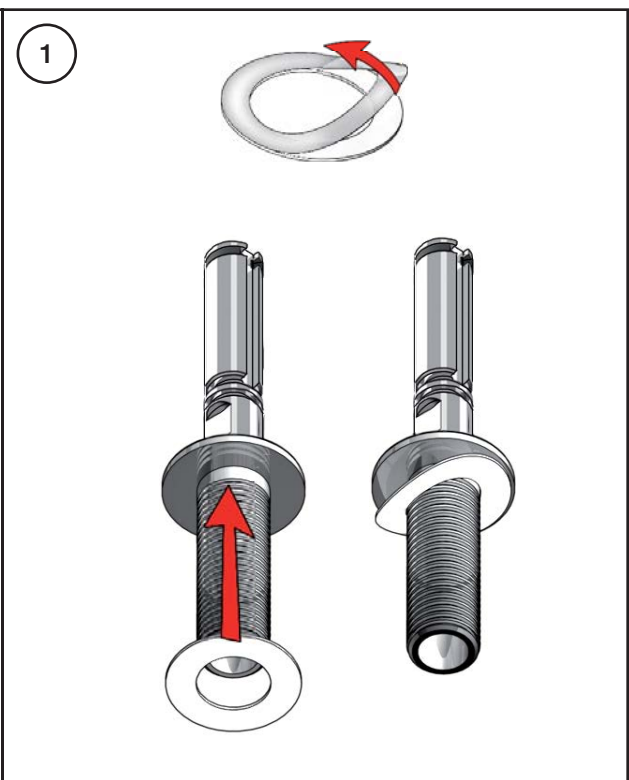
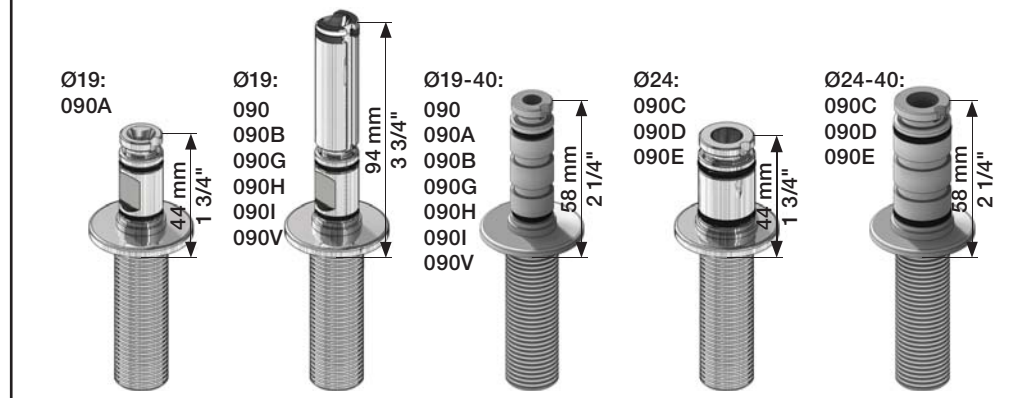
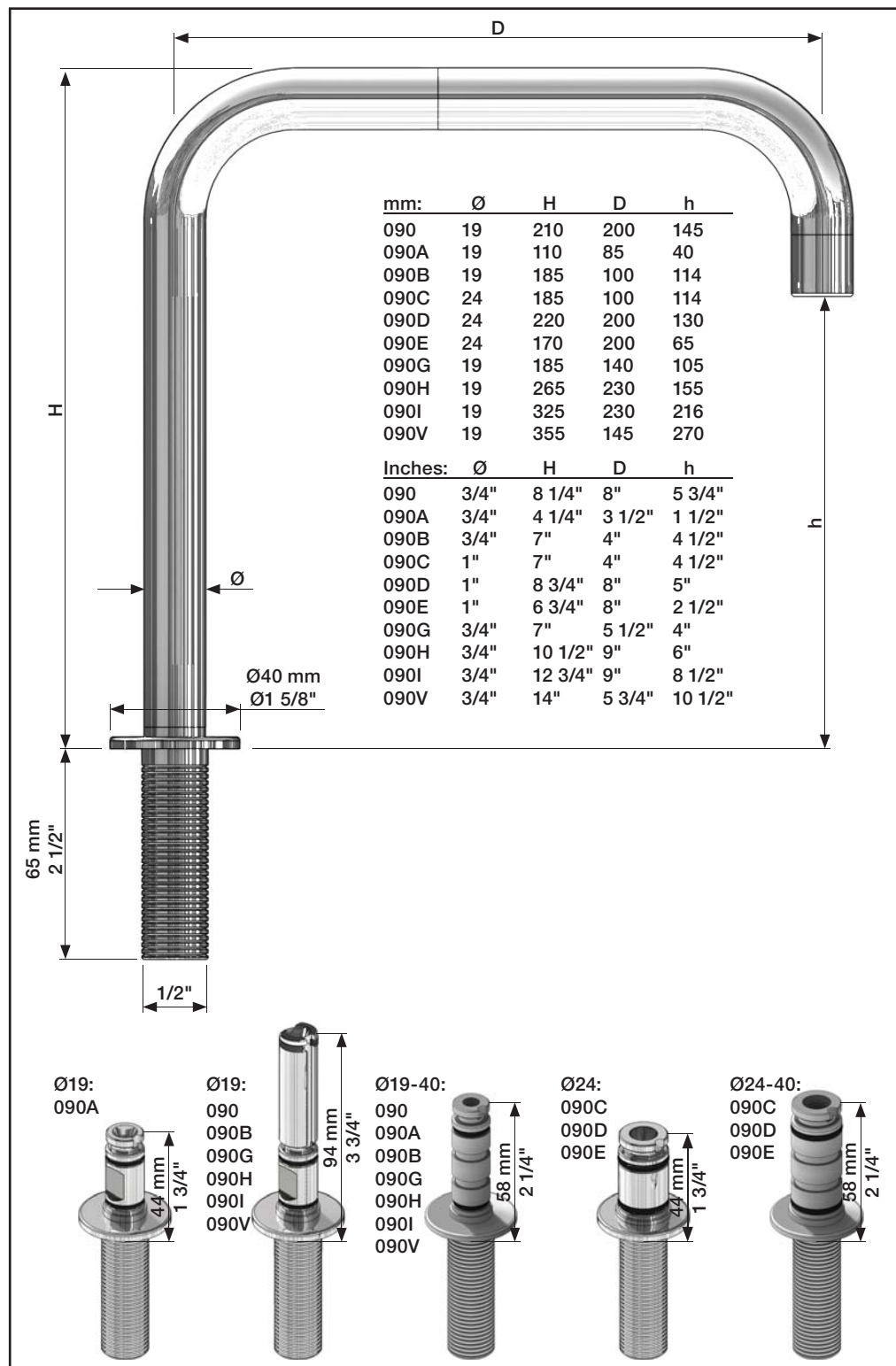
Fitting instruction Monteringsvægledning
 Montageanleitung Montage hanledning
 Monteringsvejledning Manuel de montage

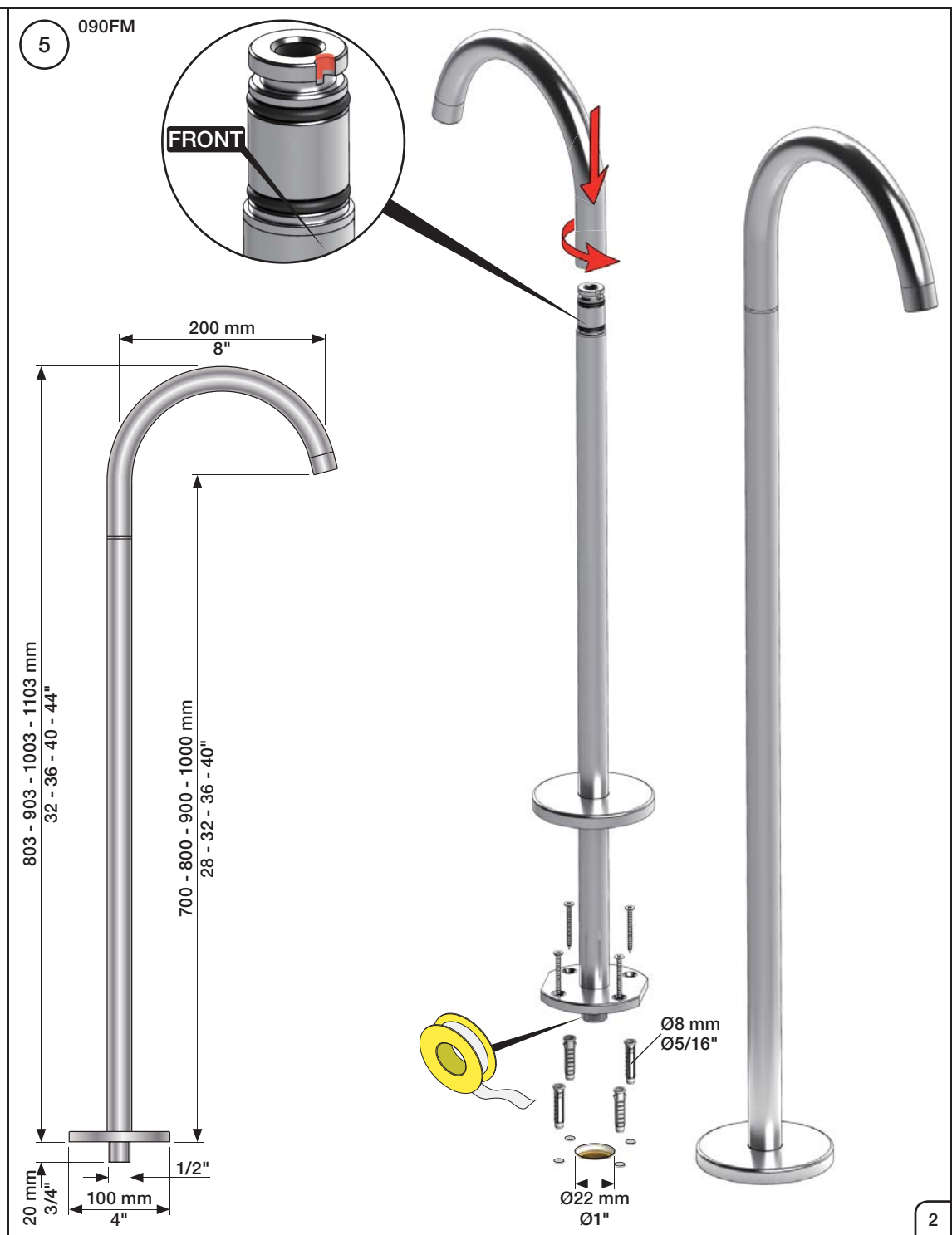
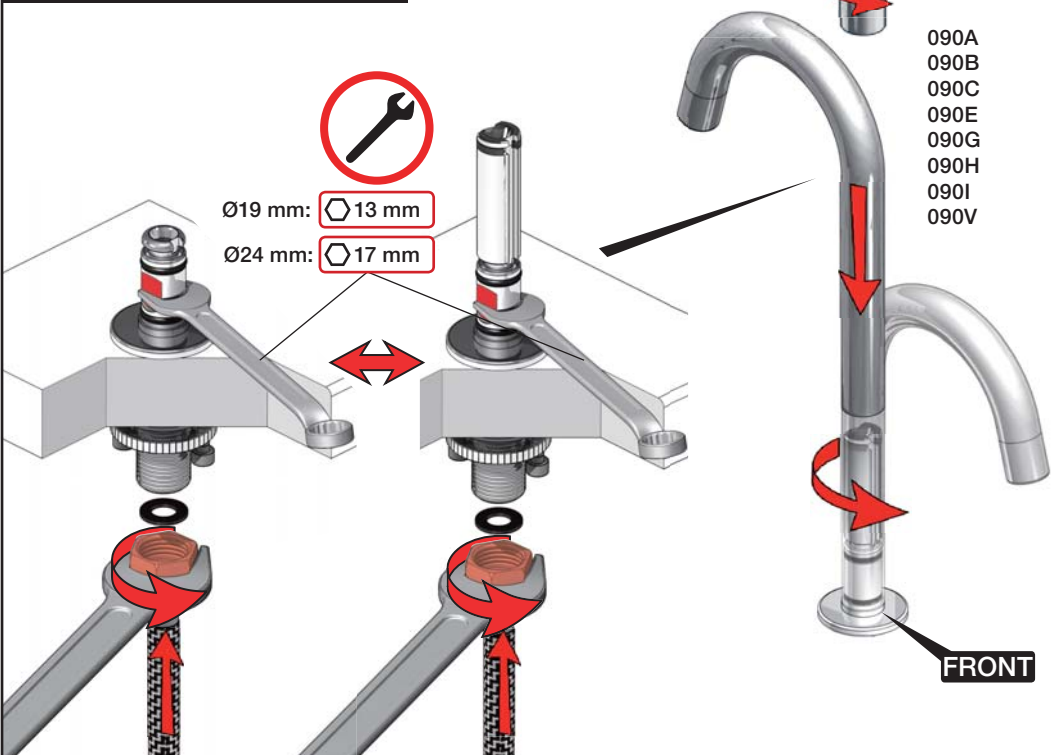
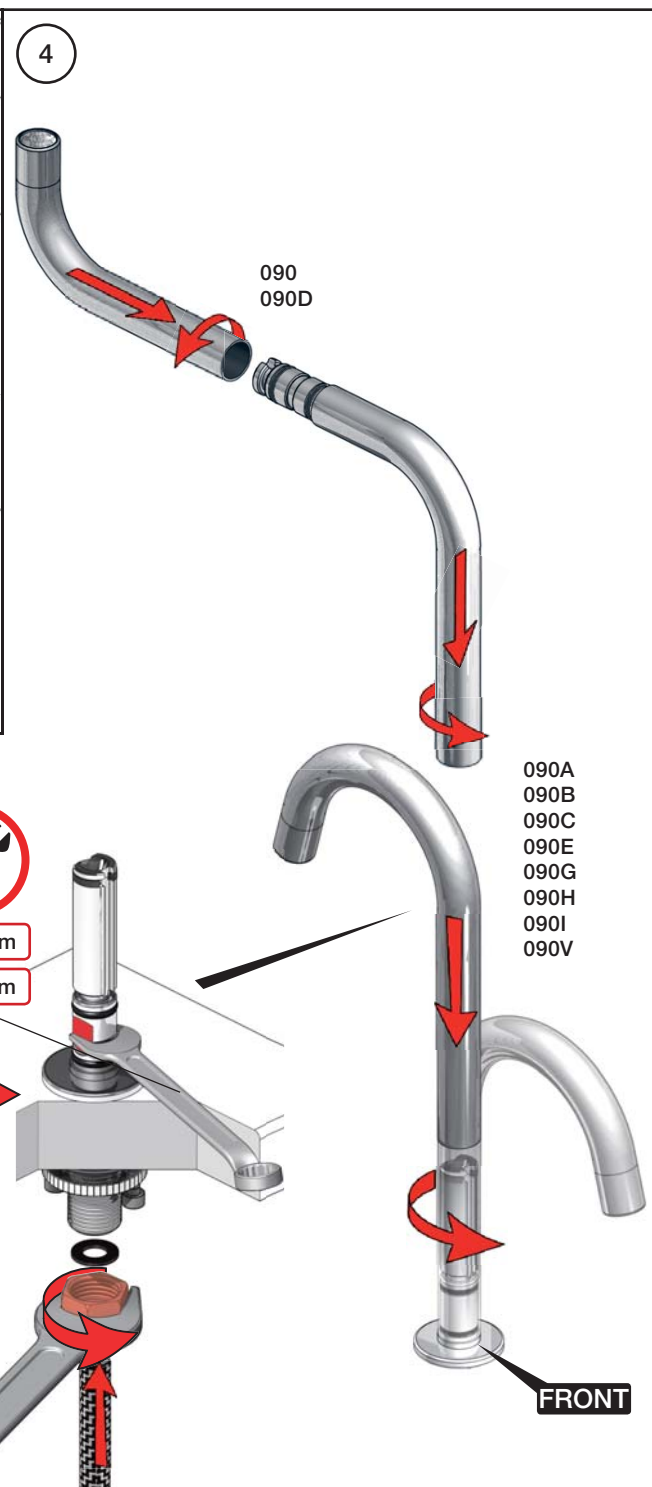
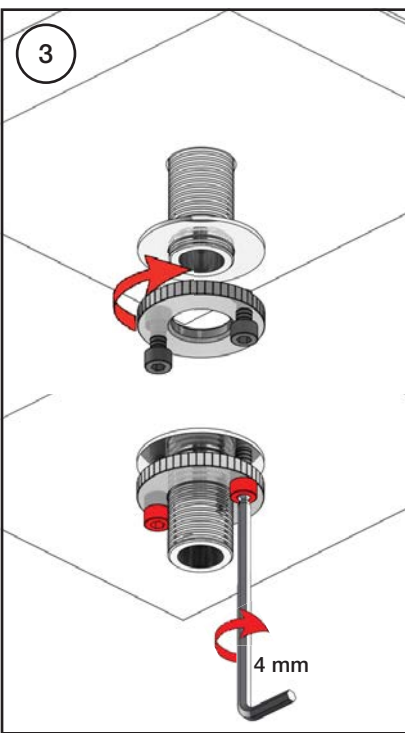


www.vola.com

vola

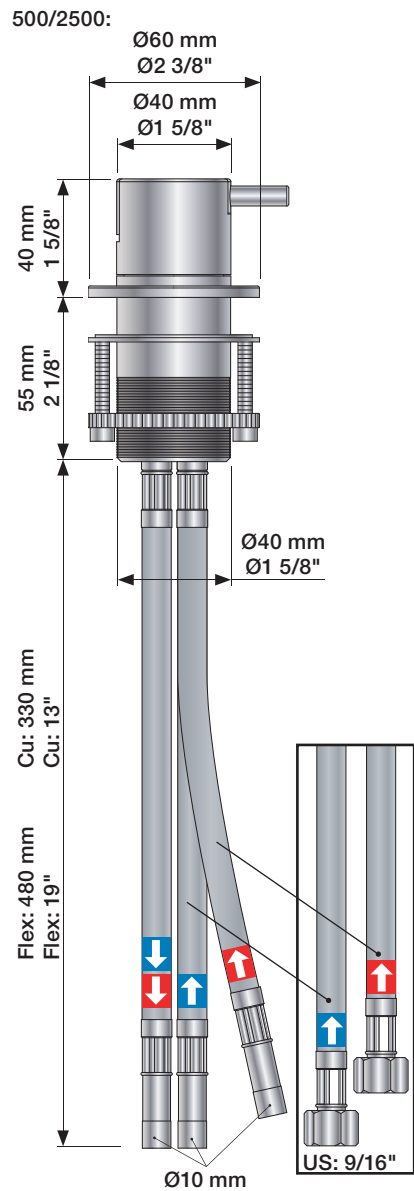
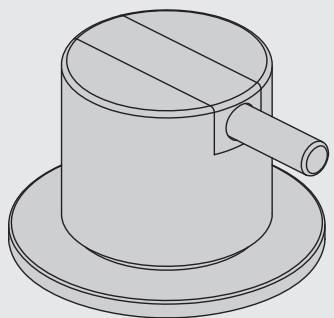
mnt_090_V3_40999824





VOLA 500, 590, 500T1
 VOLA 2500
 VOLA SC1, SC3, SC5, SC7, SC9, SC10, SC12

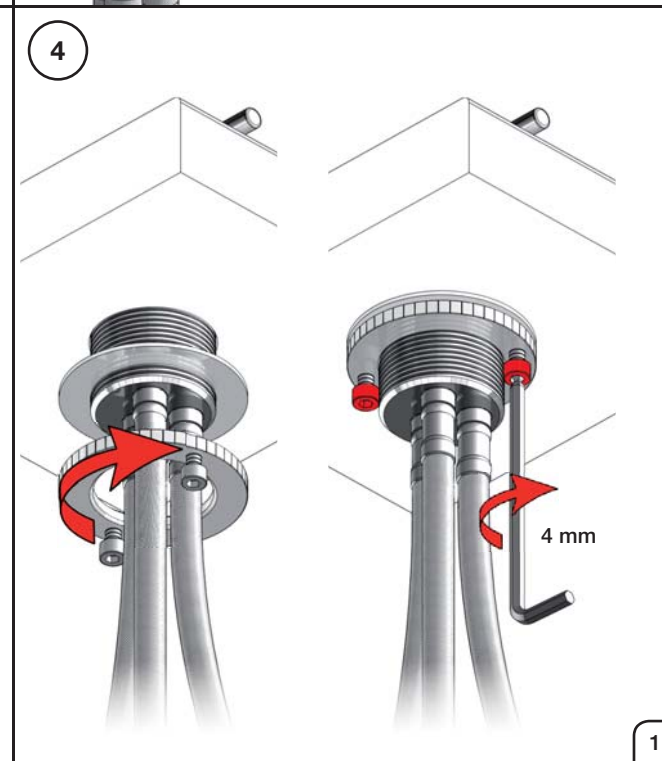
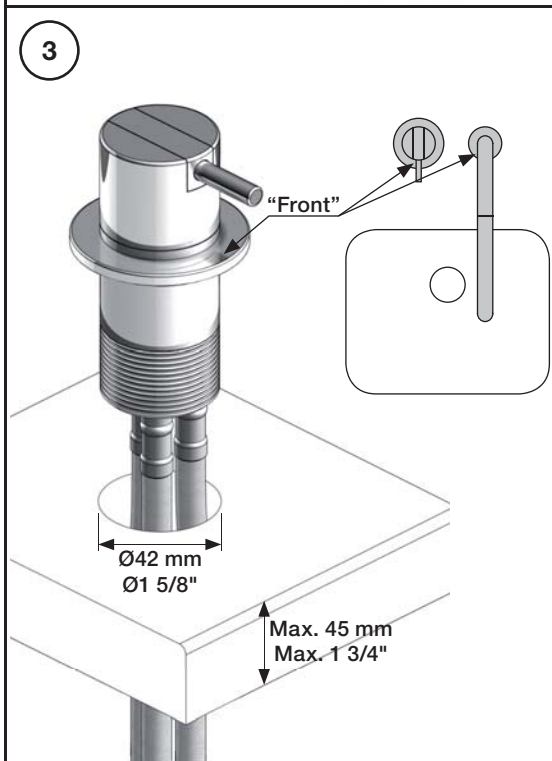
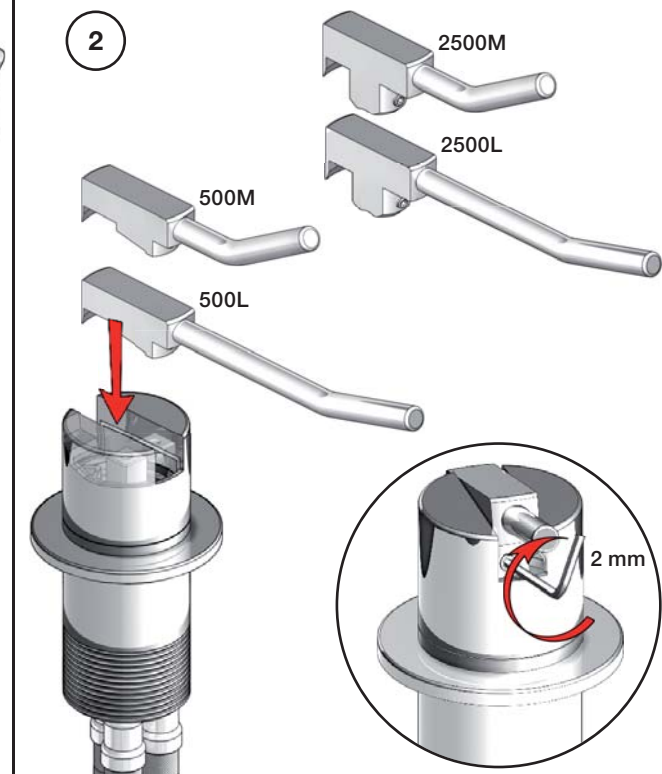
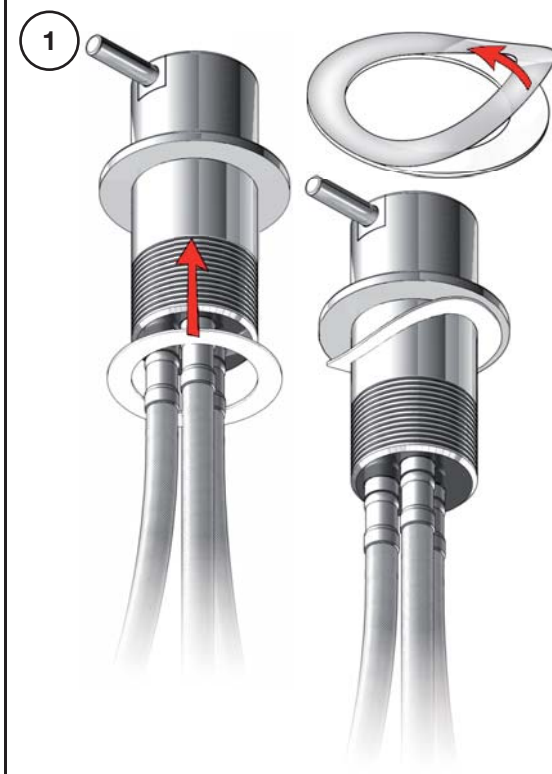
Fitting instruction
 Montageanleitung
 Monteringsvejledning
 Monteringsvægledning
 Montage hanleiding
 Manuel de montage

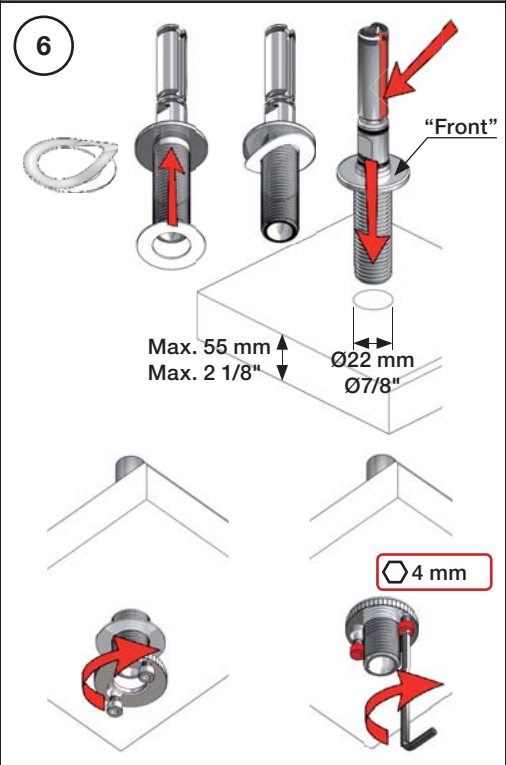


Data, 3 Bar /43.5 Psi:

	l/min.	Gal/min.
500:	14,5	3.8
590:	9,0	2.4
500-T1:	11,0	2.9
2500:	18,7	4.9
SC1:	18,7	4.9
SC5, 7:	18,0	4.8
SC9:	11,0	2.9

Max. 65°C, 150°F

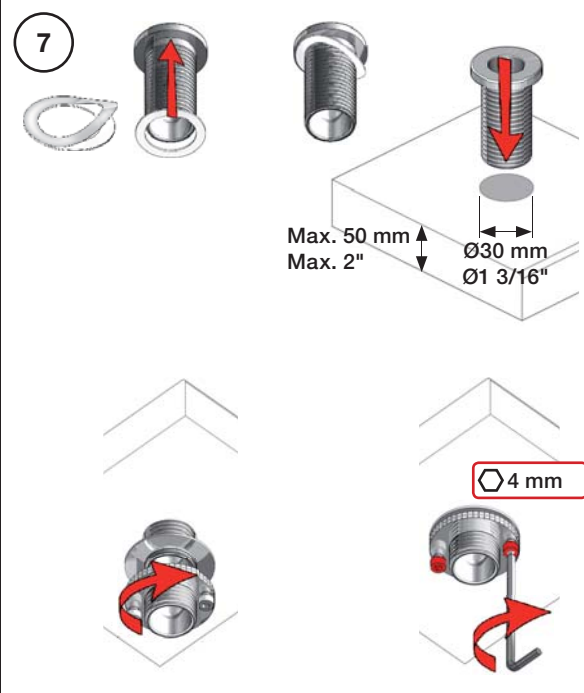
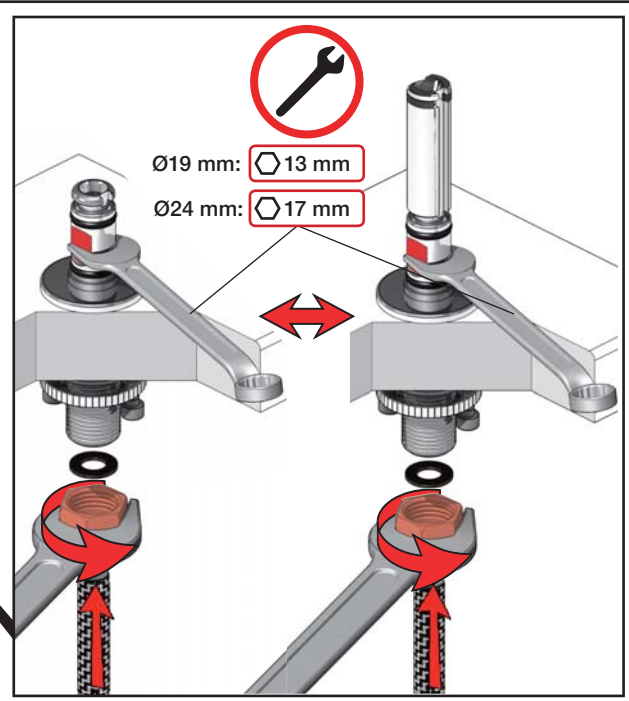
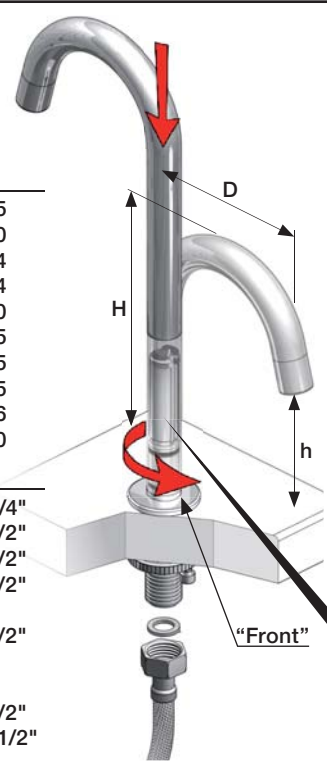




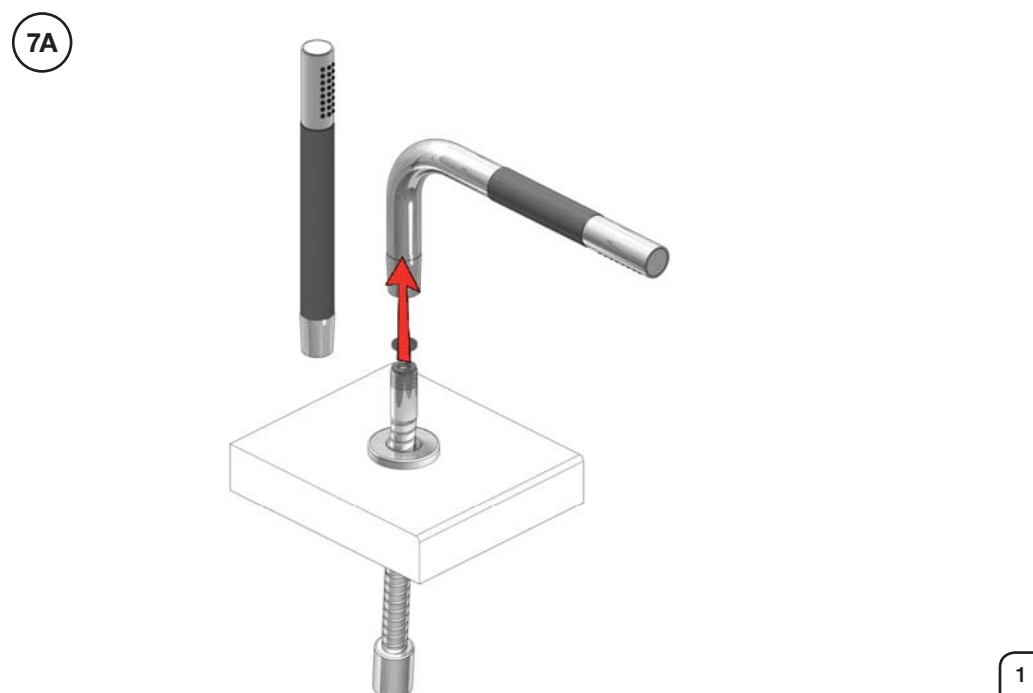
6A

mm:	H	D	h
090	210	200	145
090A	110	85	40
090B	185	100	114
090C	185	100	114
090D	220	200	130
090E	170	200	65
090G	185	140	105
090H	265	230	155
090I	325	230	216
090V	355	145	270

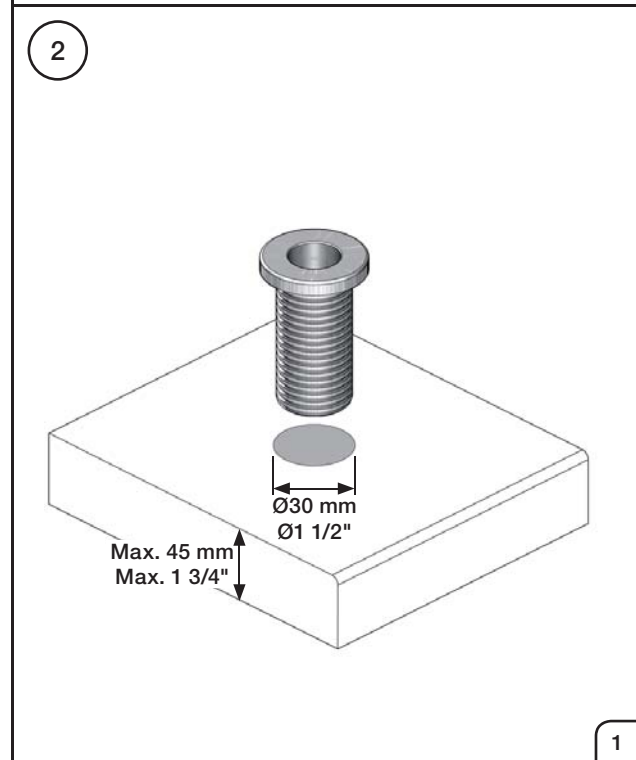
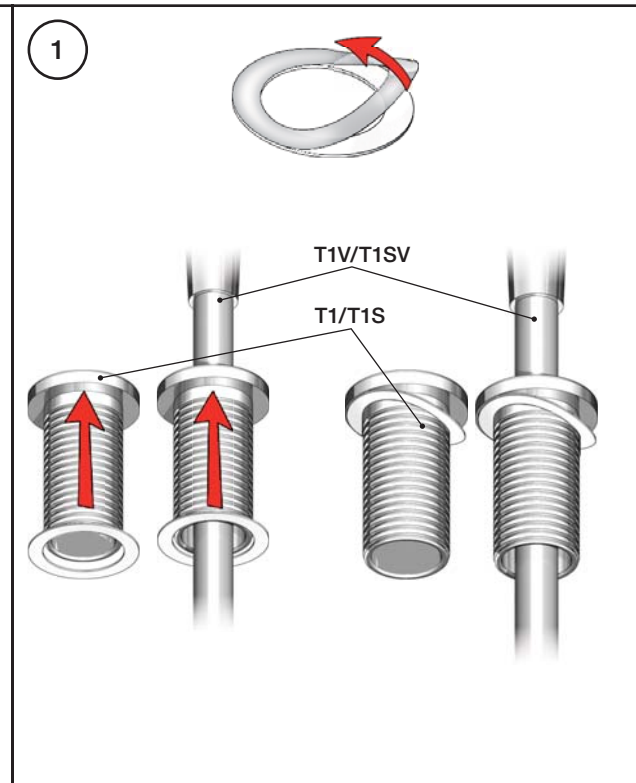
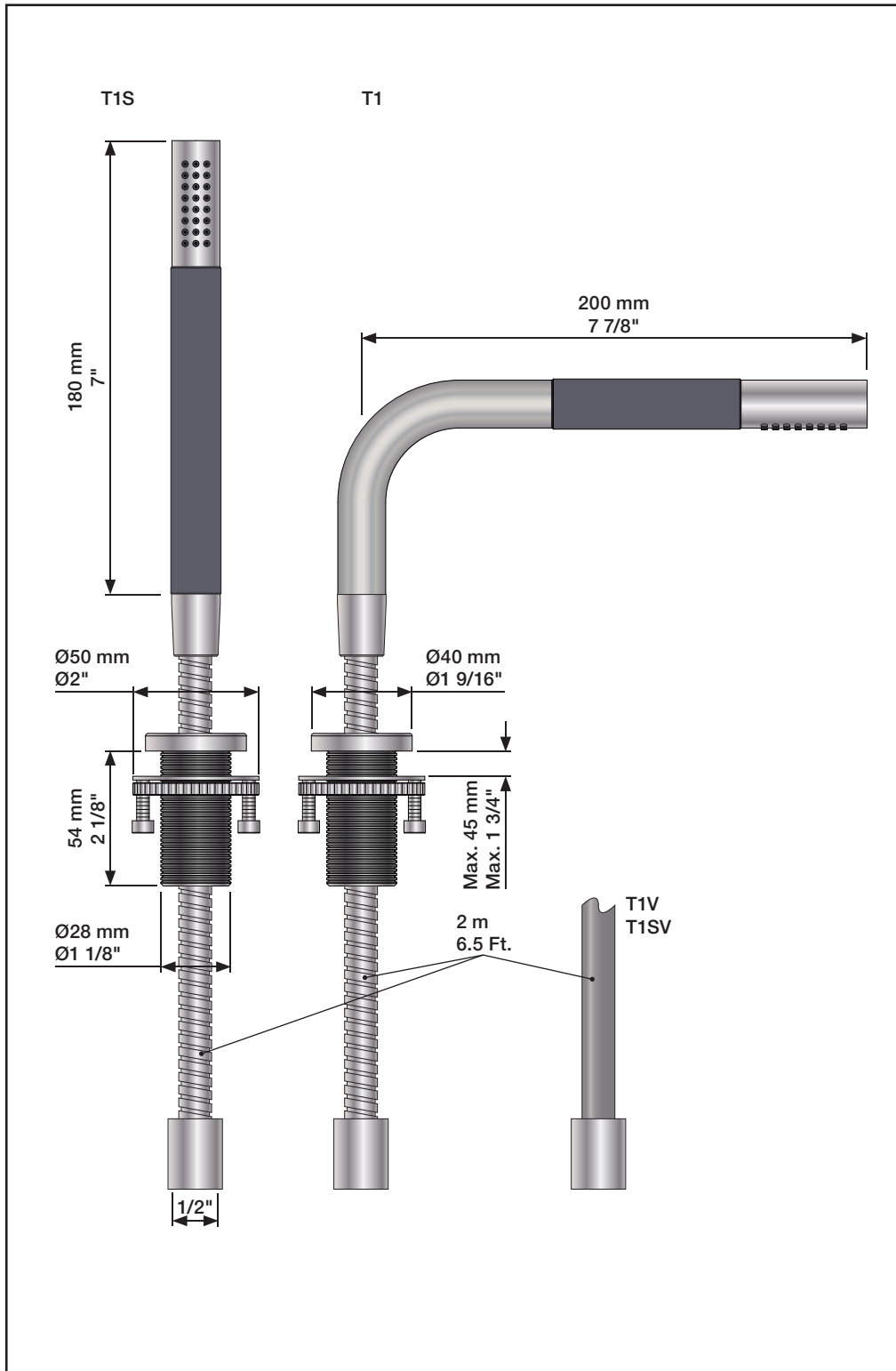
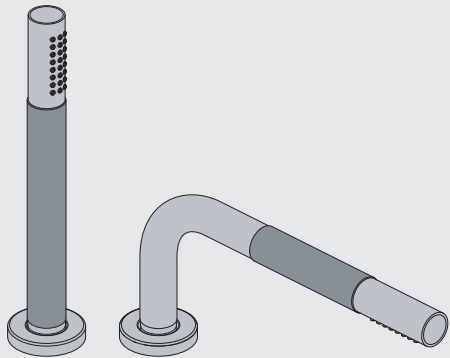
Inches:	H	D	h
090	8 1/2"	8"	5 3/4"
090A	4 1/4"	3 1/2"	1 1/2"
090B	7"	4"	4 1/2"
090C	7"	4"	4 1/2"
090D	8 3/4"	8"	5"
090E	6 3/4"	8"	2 1/2"
090G	7"	5 1/2"	4"
090H	10 1/2"	9"	6"
090I	12 3/4"	9"	8 1/2"
090V	14"	5 3/4"	10 1/2"



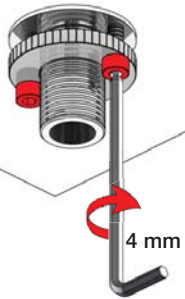
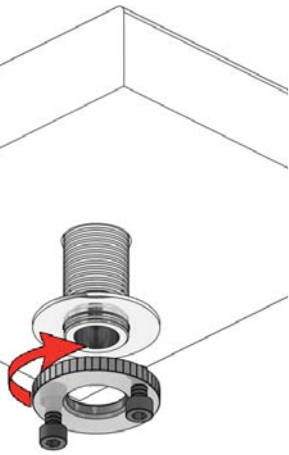
7A



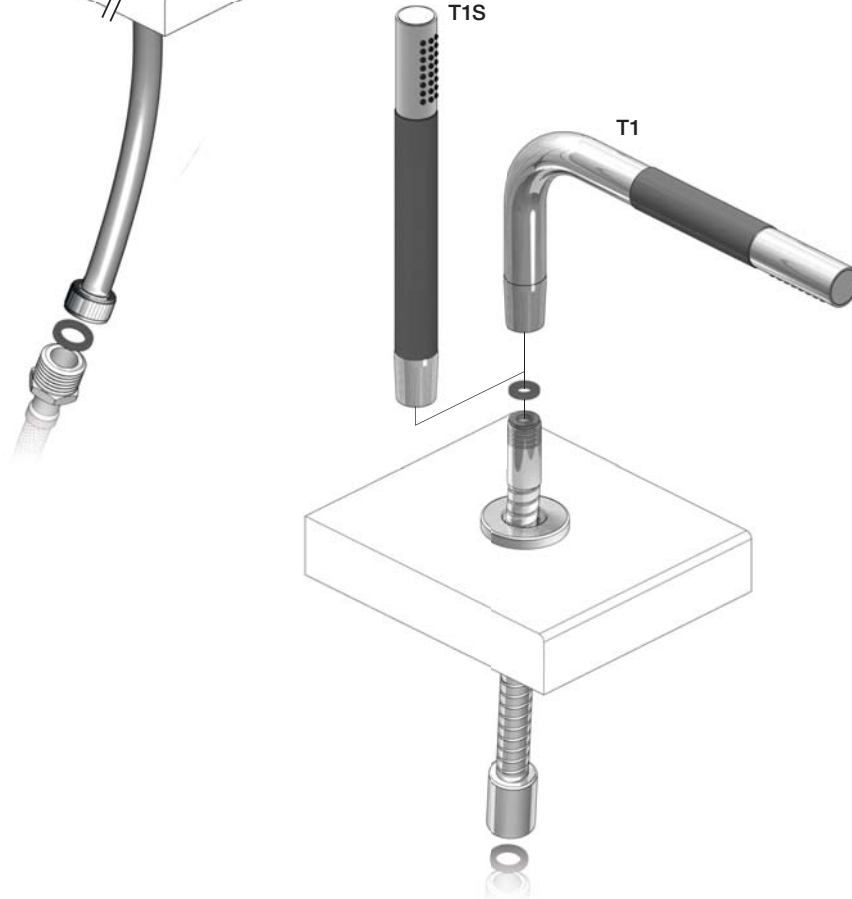
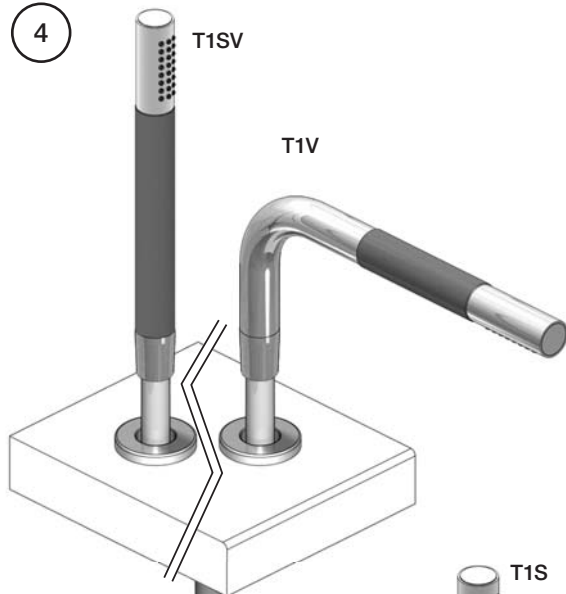
Fitting instruction
 Montageanleitung
 Monteringsvejledning
 Monteringsvægledning
 Montage hanleiding
 Manuel de montage



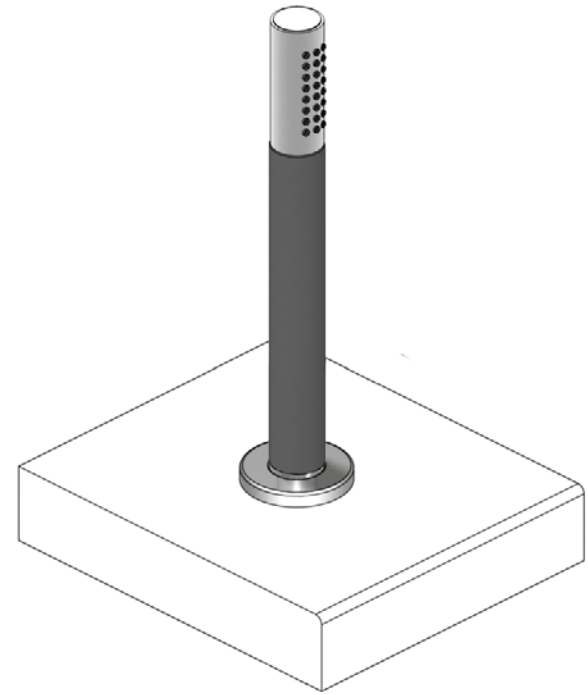
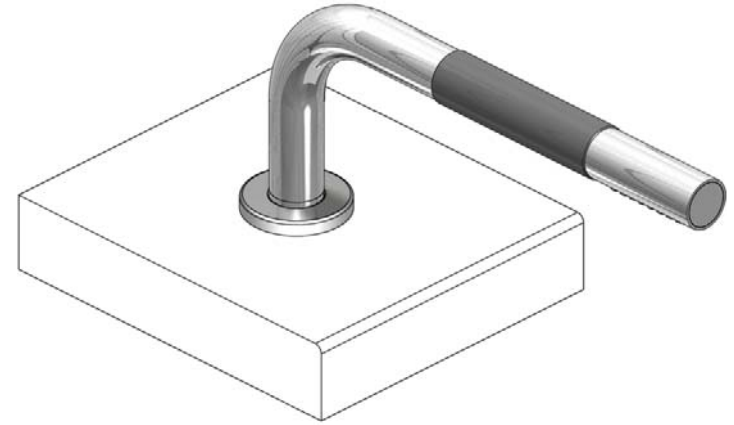
3

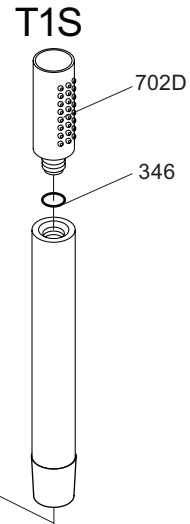
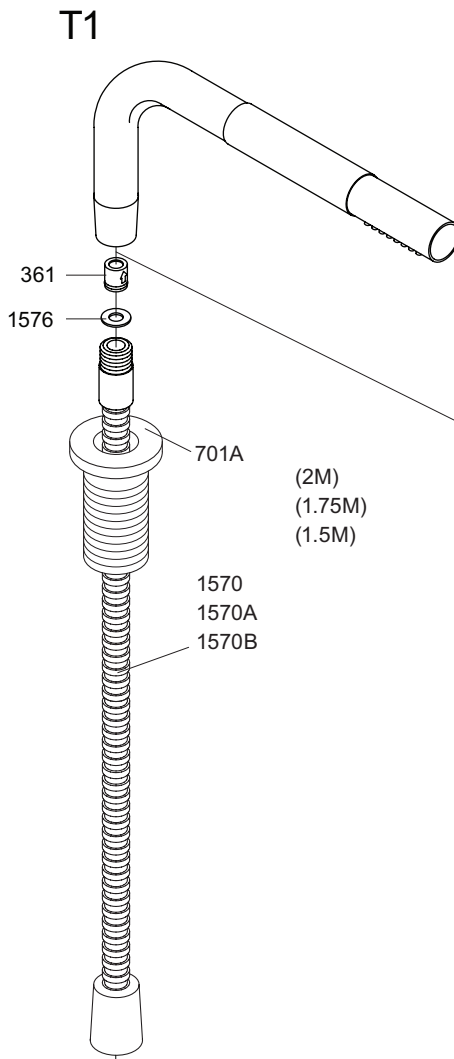
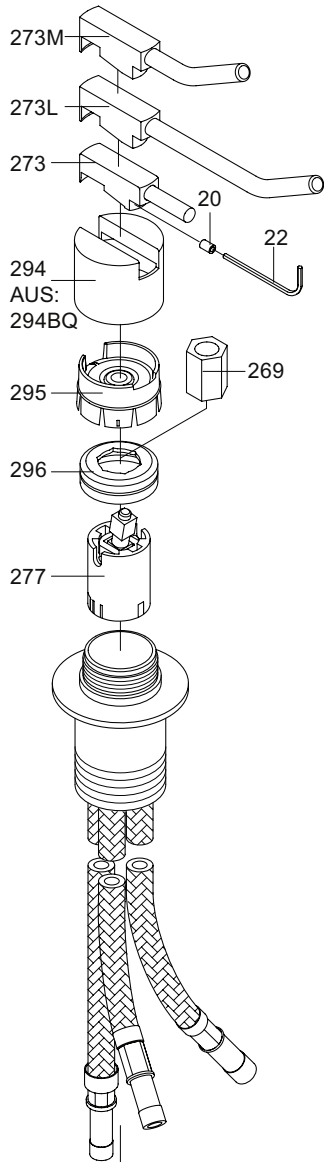


4

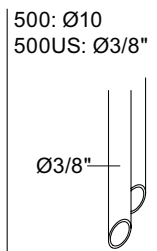
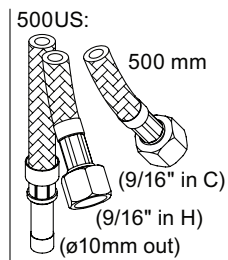
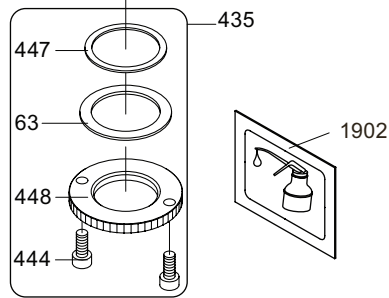
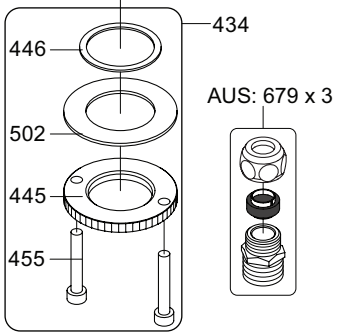
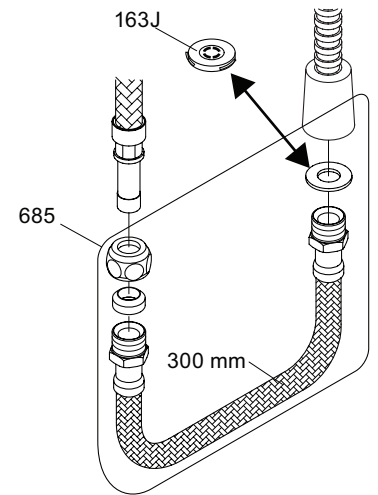


5





(2M)
(1.75M)
(1.5M)



VR277K: VR22, VR269, VR277
 VR297: VR20, VR22, VR269, VR273, VR277, VR294, VR295, VR296
 VR434: VR445, VR446, VR502, 2xVR455
 VR435: VR63, VR447, VR448, 2xVR455
 NR.10: VR20, VR22, VR273, VR294, VR295



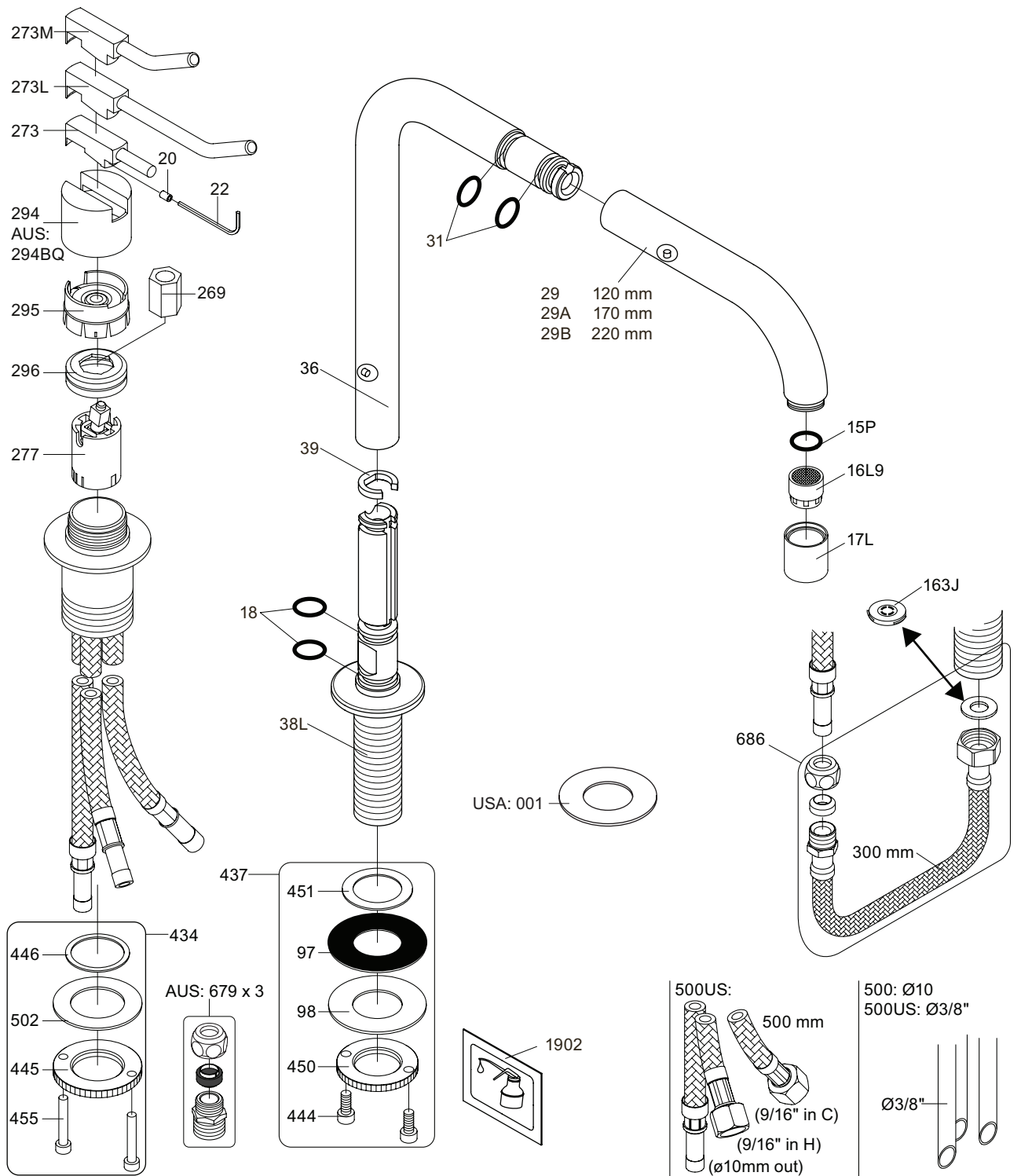
vola
 Lunavej 2
 DK-8700 Horsens
 Tlf : + 45 7023 5500
 sales@vola.com
 www.vola.com

VOLA 500T1
500T1S, SC9m SC9S

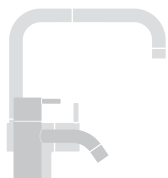
Date
 jun. 17

Rev.
 2

Sheet
SB 27.67



VR277K: VR22, VR269, VR277
 VR297: VR20, VR22, VR269, VR273, VR277, VR294, VR295, VR296
 VR434: VR261, VR263, VR440, VR442, 2xVR455
 VR437: VR97, VR98, 2xVR444, VR450, VR451
 NR.10: VR20, VR22, VR273, VR294, VR295
 VR090: VR15P, VR16L9



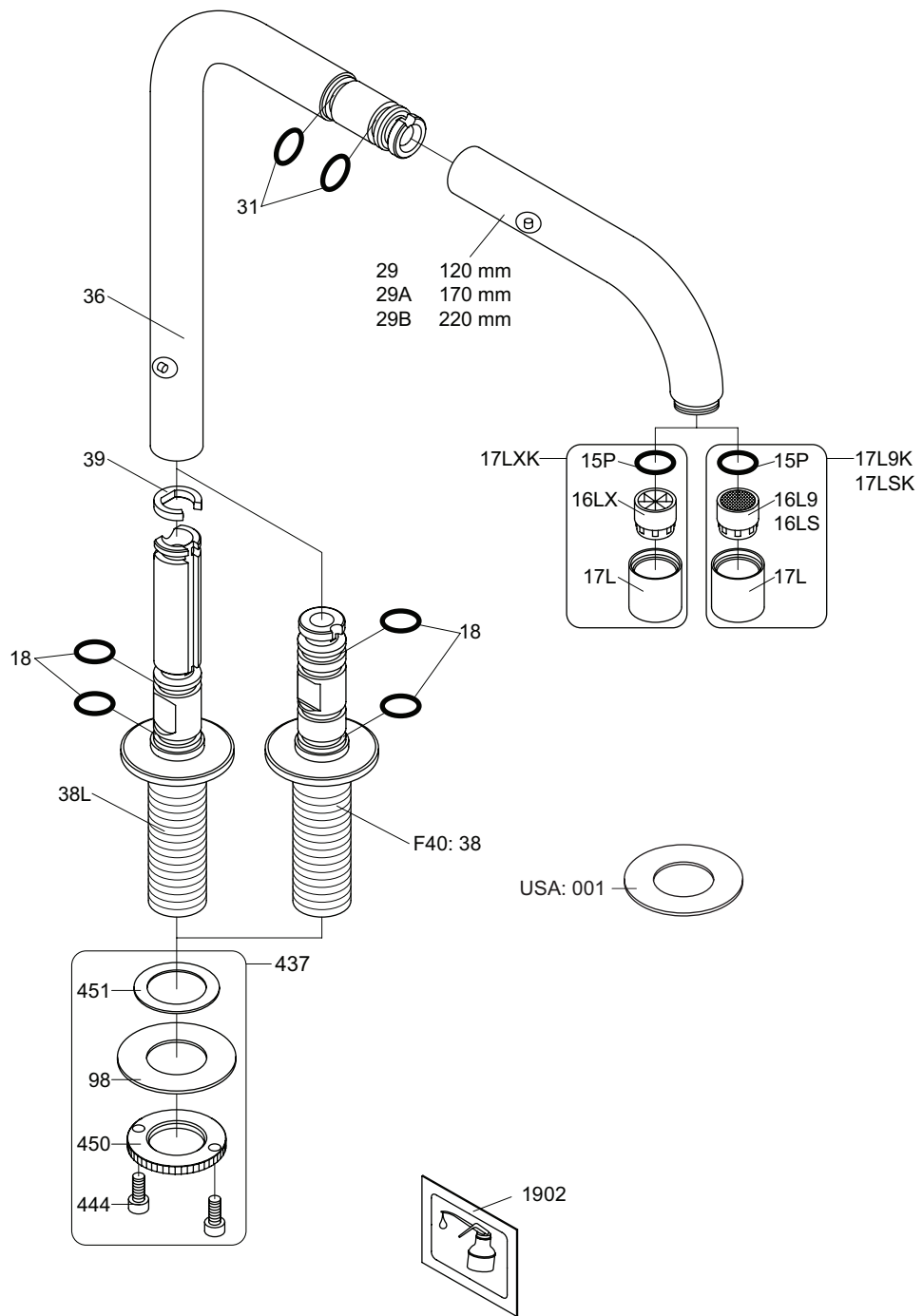
vola
 Lunavej 2
 DK-8700 Horsens
 Tlf : + 45 7023 5500
 sales@vola.com
 www.vola.com

VOLA 590

Date
Maj. 17

Rev.
4

Sheet
SB 27.72



VR17L9K: VR15P, VR16L9, VR17L
 VR17LSK: VR15P, VR16LS, VR17L
 VR17LXK: VR15P, VR16LX, VR17L
 VR090L9: VR15P, VR16L9, VR17L, 2xVR18, 2xVR31, VR1902
 VR437: VR98, 2xVR444, VR450, VR451



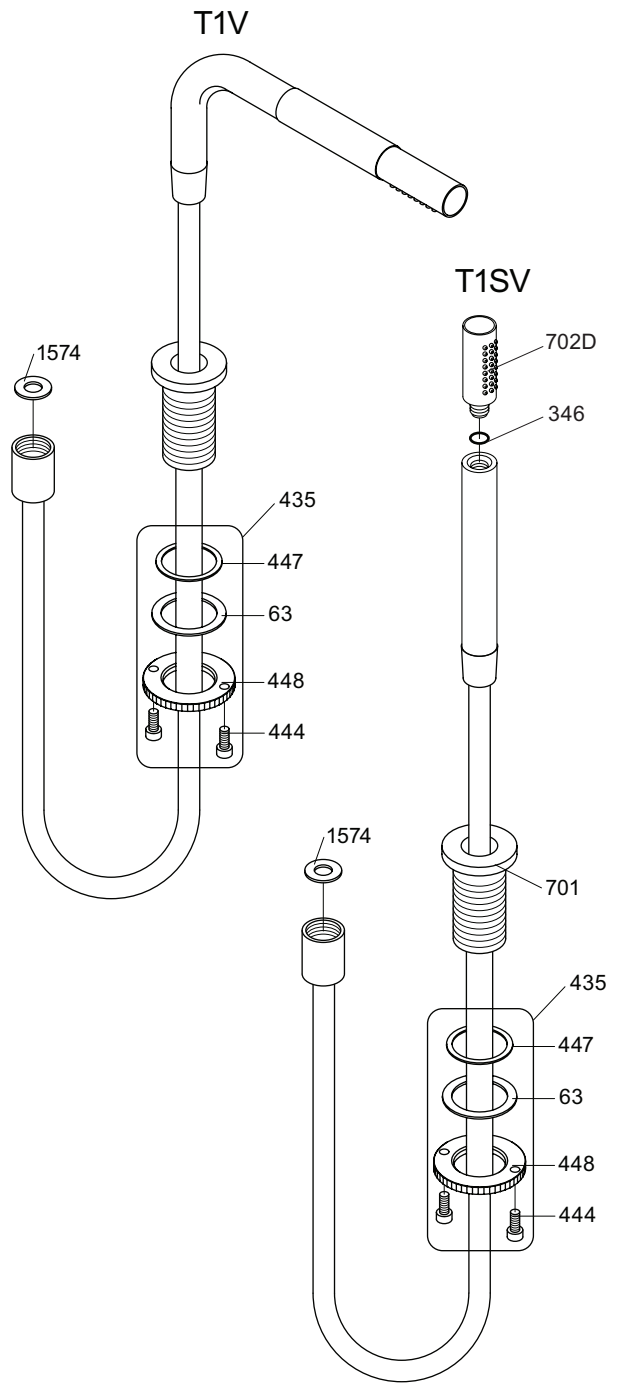
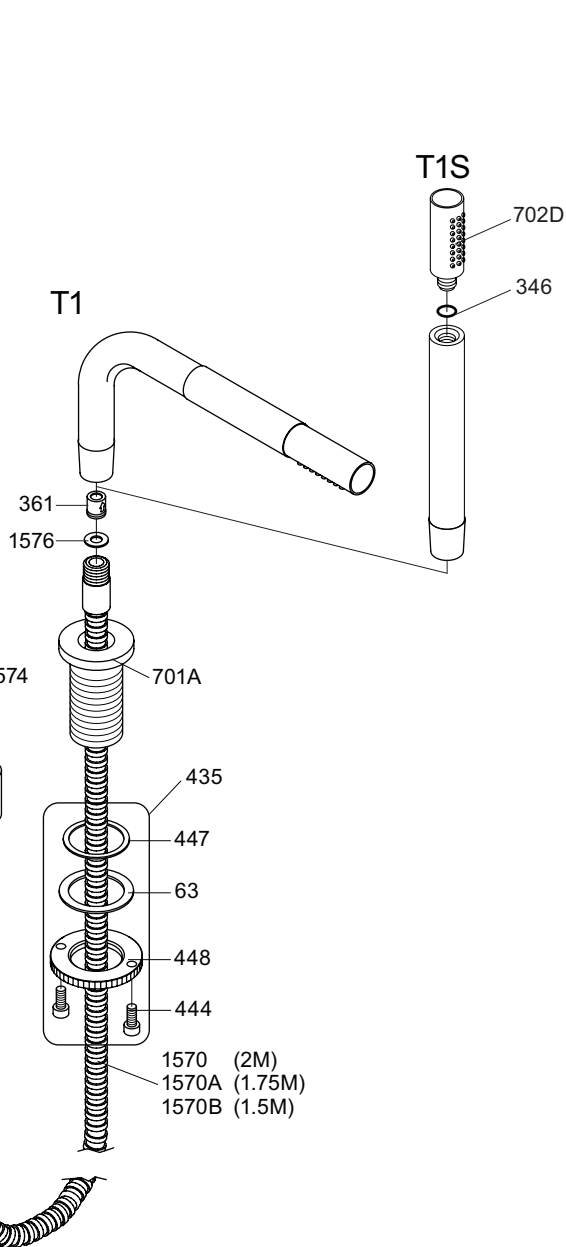
vola
 Lunavej 2
 DK-8700 Horsens
 Tlf : + 45 7023 5500
 sales@vola.com
 www.vola.com

VOLA 090

Date
Okt. 16

Rev.
3

Sheet
SB 18



VR435: VR63, 2xVR444, VR447, VR448



vola
Lunavej 2
DK-8700 Horsens
Tlf : + 45 7023 5500
Fax: + 45 7023 5511
sales@vola.com
www.vola.com

VOLA T1, T1S T1V, T1SV

Date
Jun. 17

Rev.
6

Sheet
SB 39