

## Sink Elettra 5186 06x

Sinks

Code: 5186 06x

Code: 5186 061 DX (Vasca a destra)

Code: 5186 062 SX (Vasca a sinistra)



### DETAILS

Finish Foster brushed

---

Material AISI 304 stainless steel

---

Texture Foster brushed

---

Base 45 cm

---

Edge/Installation Type Standard (8 mm Edge)

---

Dimensions 860x500 mm

---

Standard fittings Fixing hooks, gasket, drain, overflow and siphon, boxed packing

---

Mixer holes 1 standard hole - 2nd hole on request

---

Built-in hole 840x480 mm

---

Drainer Yes

---

Width 86 cm

---

Bowl dimension 341x400mm

---

Number of bowls 1 bowl

---

Waste fitting 3,5" drain

---

## FEATURES

**2nd / 3rd hole available** The sink can be customized with the execution on request of additional holes, usable for double-hole mixers, for remote controlled drains or for the installation of soap dispensers. The positions are marked on the drawings with dotted line holes.

---

**Added value** Foster uses steel thicknesses higher than those used on average by other manufacturers. This is how, thanks to our long experience, we know how to make sinks of superior quality and with a better resistance to aging.

---

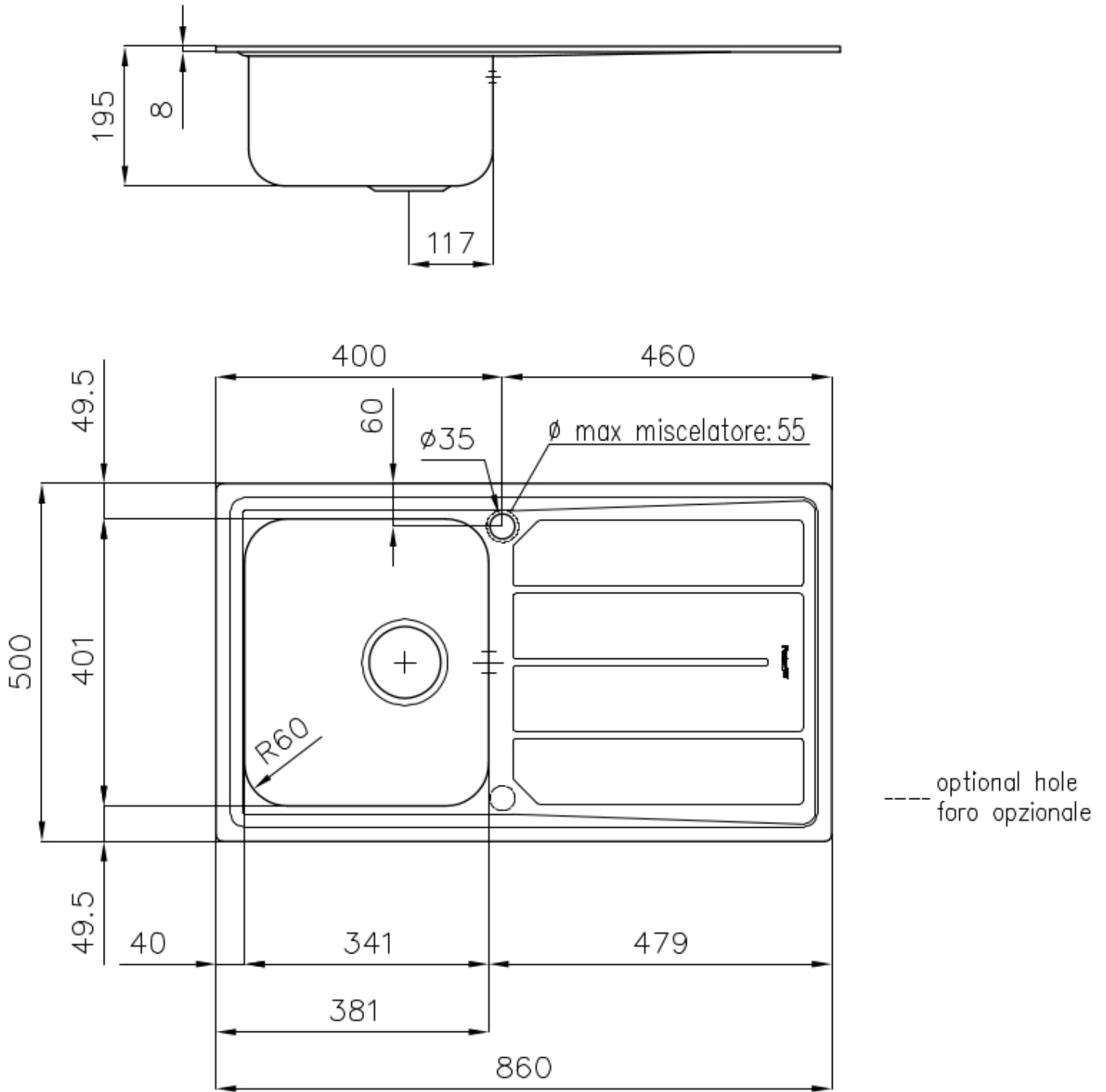
**Basket 3,5" waste fitting** The drain is equipped with a large 3.5" drain, with the practical basket cap that prevents the discharge of solid parts. The 3.5 "drain allows the use of the Foster waste-disposer, compatible with all models.

---

**Sliding brackets**

---

## TECHNICAL DATA



## OPTIONAL ACCESSORIES



Glass chopping board 8631 300



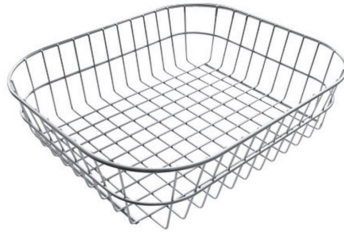
HPDE Chopping board 8657 001



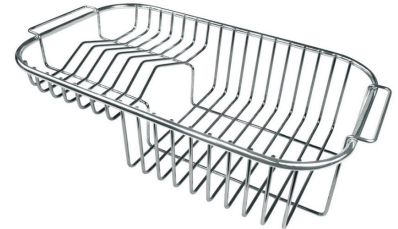
Iroko-wood chopping board 8647 000



Iroko-wood sliding chopping board 8643 000



Stainless steel basket 8611 000



Stainless steel plate rack 8100 301



White bowl 8153 100

## RECOMMENDED PAIRINGS



Mixer Tap F2000 - Basso 8459  
000



Mixer Tap Luisa 8482 000

## OPTIONAL AUTOMATIC WASTE FITTINGS



Automatic waste fitting 8407 000



Automatic waste fitting 8407 100



LIRA automatic waste fitting  
8407 103