

Hood KS Lux 2504 094

Hoods

Code: 2504 094



DETAILS

Material Stainless steel

Texture Satin

Chimney height Aspiring mode: 630 - 1050 mm / filtering mode: 700 - 1120 mm

Energy class A

Product details Telescopic chimney

Grease filters Grease filtre in stainless steel

Operation Suction hood (filtering mode with optional carbon filters)

Air exhaust hole \varnothing 120/150 mm

Lighting

Air flow rate 700mc/h

Motor power 250W

Hood type Wall-mounted suction hood

Type of commands Electronic pushbutton

Suction speed 3 operating speeds + 1 timed intensive

Notes: Fume exhaust ducts must have an internal diameter not lower than 120 mm

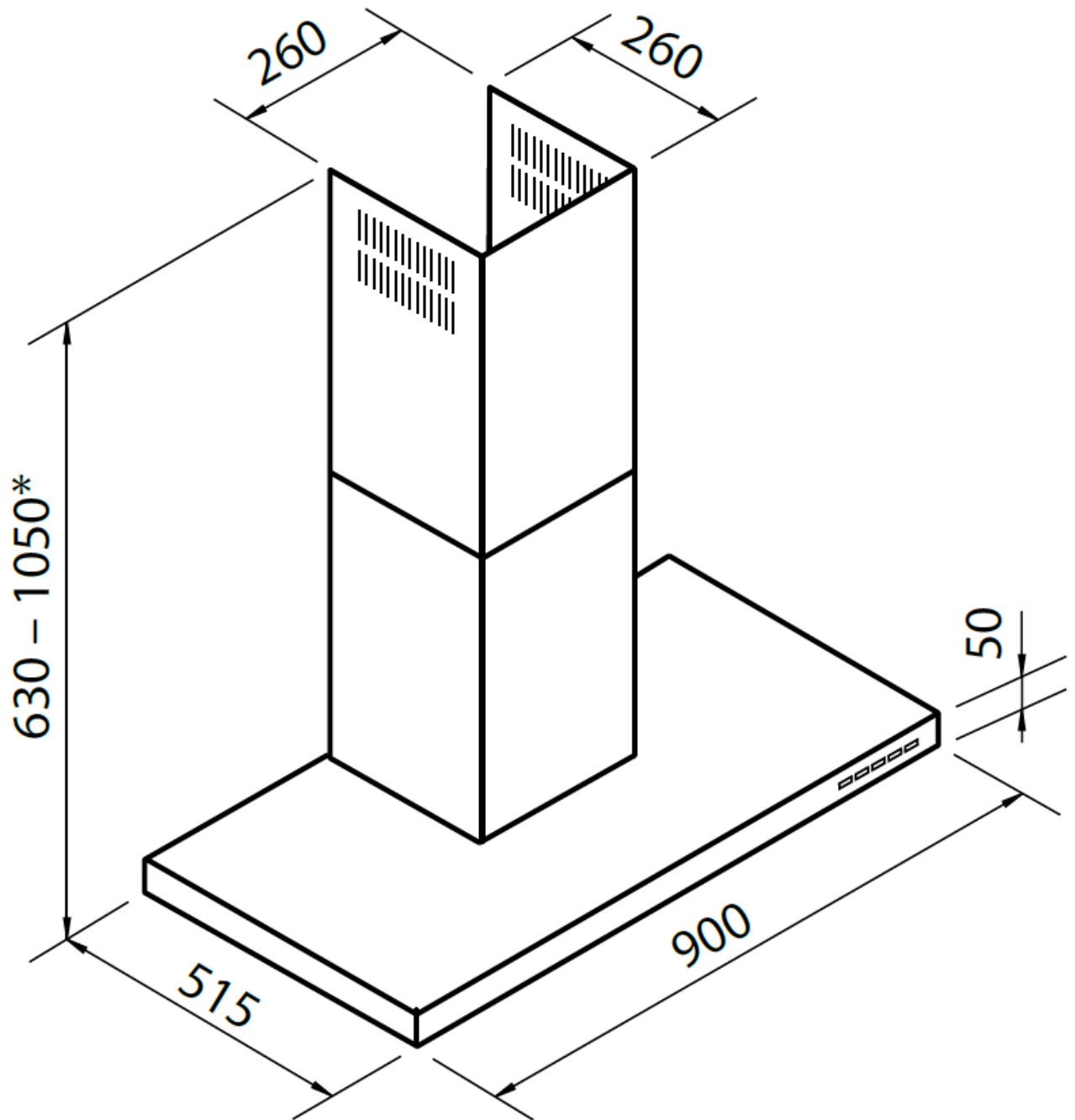
FEATURES

Auto delayed shutdown All the models with electronic interface can be programmed to turn off the suction at a postponed moment, so as to prolong the aeration of the room even after the cooking has been completed.

Led lighting Particular attention to energy saving with LED lighting systems. They assure a 10 times lower consumption and a 10 times longer duration. Our LED lights are designed to create an adequate comfort and safety in the cooking area.

Steel filters Where the filter is in plain sight, the aluminium filtering element is covered in stainless steel. This solution improves the look and increases the durability of the product.

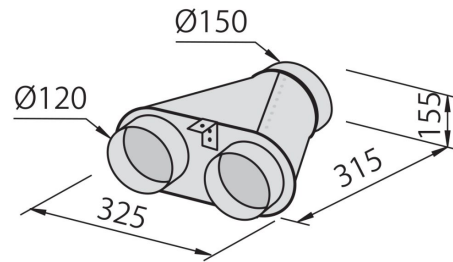
TECHNICAL DATA



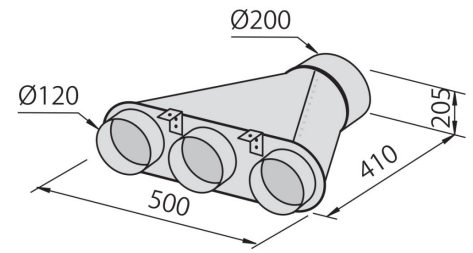
OPTIONAL ACCESSORIES



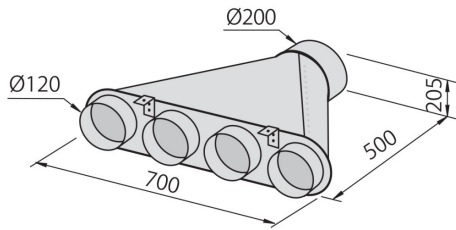
Carbon filter 9700 528



Collector for 2 pipes 2523 000



Collector for 3 pipes 2524 000



Collector for 4 pipes 2525 000



Flexible silencing canalization
9700 602



Flexible silencing canalization
9700 603