

Sink KS 2182 060

Sinks

Code: 2182 060



DETAILS

Finish Foster brushed

Material AISI 304 stainless steel

Texture Foster brushed

Base 80-90 cm

Edge/Installation Type Standard (8 mm Edge)

Dimensions 860x500 mm

Standard fittings Fixing hooks, gasket, drain, overflow and siphon, boxed packing

Mixer holes 1 standard hole

Built-in hole 840x480 mm

Drainer No

Width 86 cm

Bowl dimension 340x400mm

Number of bowls 2 bowls

Waste fitting 3,5" drain

FEATURES

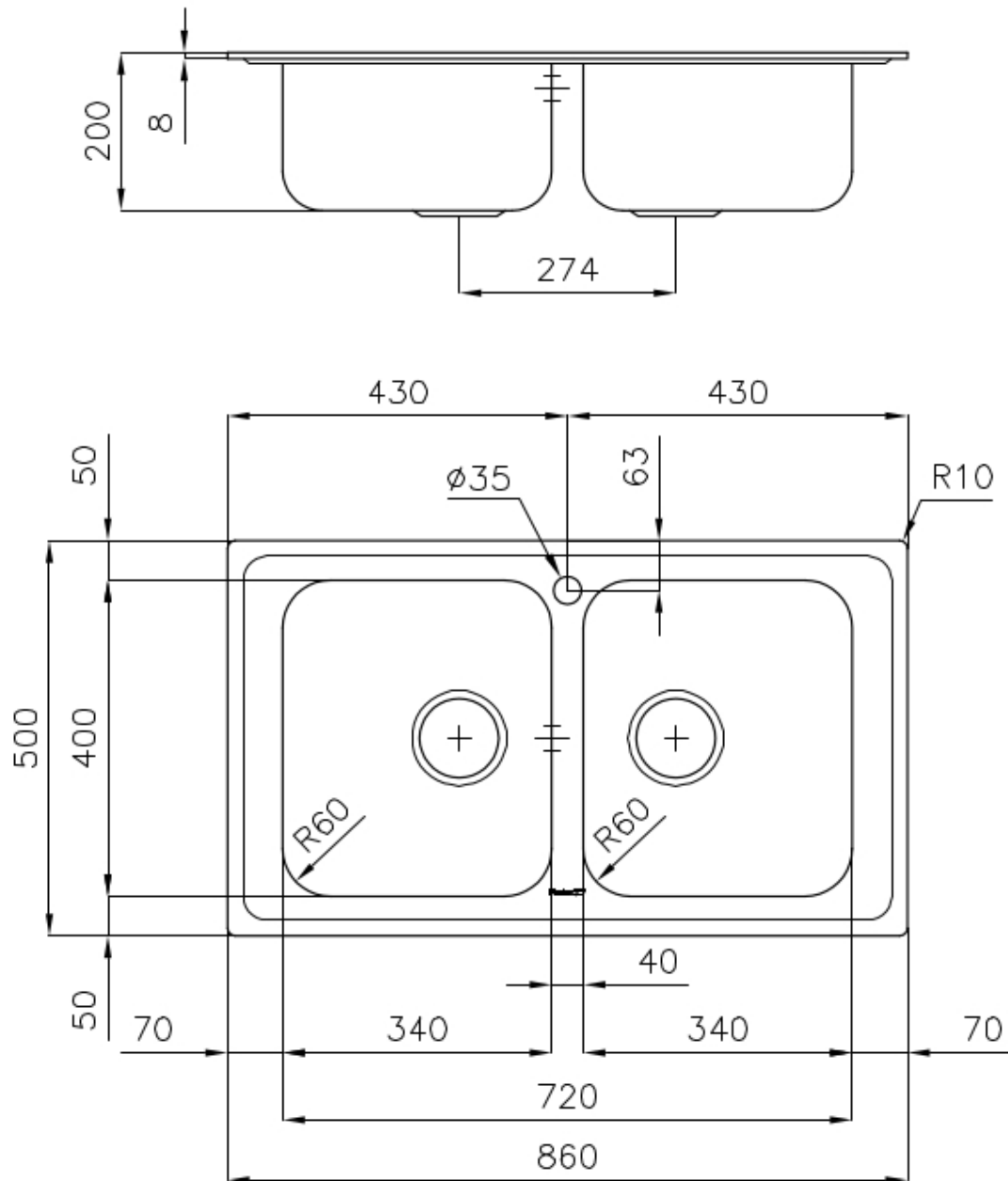
Added value Foster uses steel thicknesses higher than those used on average by other manufacturers. This is how, thanks to our long experience, we know how to make sinks of superior quality and with a better resistance to aging.

Basket 3,5" waste fitting The drain is equipped with a large 3.5" drain, with the practical basket cap that prevents the discharge of solid parts. The 3.5 "drain allows the use of the Foster waste-disposer, compatible with all models.

Deep bowls This bowls reach an important depth, over 20 cm, thanks to the advanced production technology, that can be offer great capiciency and practicity in all the washing operations.

Sliding brackets

TECHNICAL DATA



OPTIONAL ACCESSORIES



Glass chopping board 8631 300



Glass chopping board 8633 300



HPDE Chopping board 8657 001



HPDE Twin chopping board 8644 101



Iroko-wood chopping board 8647 000



Iroko-wood chopping board with stainless steel colander 8644 042



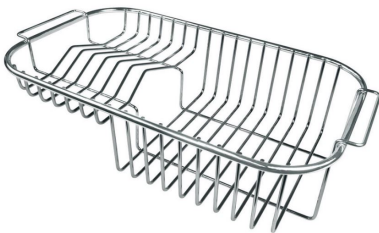
Iroko-wood sliding chopping board 8643 000



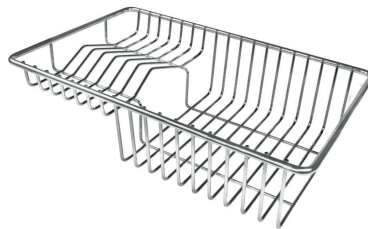
Iroko-wood sliding chopping board 8644 041



Stainless steel basket 8611 000



Stainless steel plate rack 8100 301



Stainless steel plate rack 8100 303



White bowl 8153 100



Graters kit with ring-holder and food collection tray 8159 101

WARNING:

The accessories 8159101, 8100303,8151000 are only usable in combination with 8644101

RECOMMENDED PAIRINGS



Mixer Tap KS Plus 8522 000



Mixer Tap NYC 8486 000