



Underscore® Rectangle

5' BubbleMassage™ Bath

K-1167-G

Features

- 122 airjets release thousands of bubbles that surround, support, and massage the body.
- Variable-speed blower lets you adjust massage intensity to 18 levels.
- Zones of Control™ feature allows you to target massage to back, midsection, or feet.
- Lighted keypad.
- Sloping backrest provides comfort.
- Slotted overflow allows for deep soaking.
- Immediate and manual purge cycles remove residual water from air channels after use.

Material

- Acrylic.

Hydrotherapy

- BubbleMassage.

Installation

- Requires K-7271 or K-7272 Clearflo slotted overflow bath drain (sold separately).
- Drop-in or undermount.

Required Products/Accessories

K-7271 Brass Slotted Overflow Bath Drain

or

K-7272 PVC Slotted Overflow Bath Drain

Recommended Products/Accessories

- K-1491 Bath/Whirlpool Pillow
- K-1601 Bath/Whirlpool Footstop
- K-1703 Whirlpool Remote Control
- K-531 Under-Mount Installation Kit
- K-9498 3" Keypad Trim
- K-24916 Wireless Music Kit
- K-1705 Whirlpool/BubbleMassage™ Remote Control
- K-702200-G54 Frameless Sliding Bath Door
- K-702200-G73 Frameless Sliding Bath Door
- K-702200-L Frameless Sliding Bath Door
- K-702205-L Frameless Sliding Bath Door
- K-706000-D3 Frameless Sliding Bath Door
- K-706000-L Frameless Sliding Bath Door
- K-706003-L Frameless Sliding Bath Door
- K-706004-D3 Frameless Sliding Bath Door
- K-706004-L Frameless Sliding Bath Door
- K-706007-L Frameless Sliding Bath Door
- K-1177 Vinyl Tiling-in Bead
- K-23726 Drain treatment
- K-23732 Tub & shower cleaner



ADA

Codes/Standards



ASME A112.19.7/CSA B45.10
 CSA B45.5/IAPMO Z124
 ASTM E162
 ASTM E662
 UL 1795
 CSA C22.2 No. 218.2
 ADA
 ICC/ANSI A117.1

**KOHLER® Plastic Baths and Receptors
 Lifetime Limited Warranty
 KOHLER® Hydrotherapy Components
 Five-Year Limited Warranty**

See website for detailed warranty information.

Available Colors/Finishes

Color tiles intended for reference only.

Color	Code	Description
	G9	Sandbar
	K4	Cashmere

1-800-4KOHLER (1-800-456-4537)

Kohler Co. reserves the right to make revisions without notice to product specifications.

For the most current Specification Sheet, go to www.kohler.com.

5-23-2020 21:38 - US/CA/MX

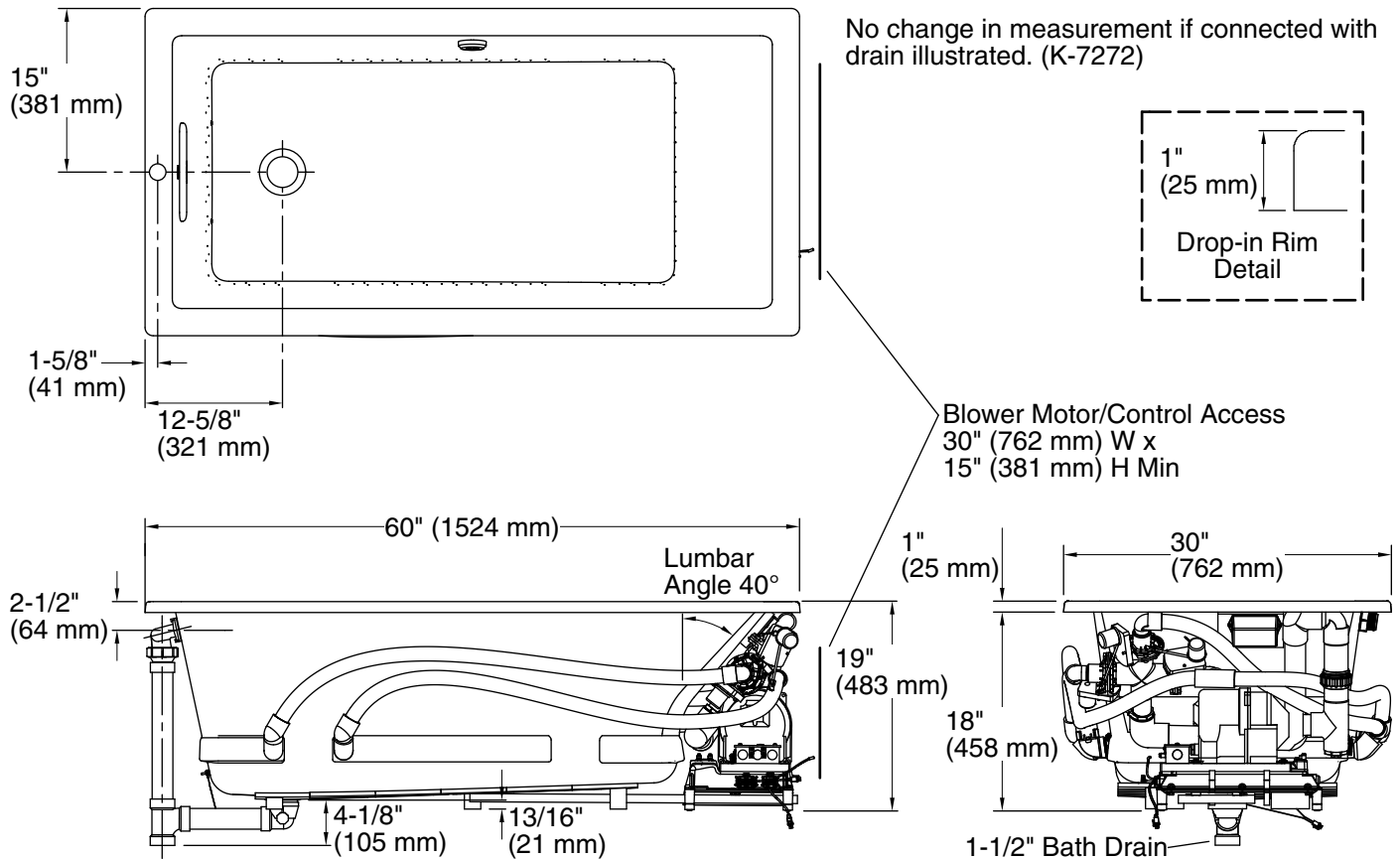
THE BOLD LOOK
 OF **KOHLER**®



Underscore® Rectangle

5' BubbleMassage™ Bath

K-1167-G



Required Electrical Service

One dedicated circuit required, protected with Class A Ground-Fault Circuit-Interrupter (GFCI). Outside North America, this device may be known as a Residual Current Device (RCD).

Blower: 240 V, 15 A, 50/60 Hz

Technical Information

All product dimensions are nominal.

- Installation: Drop-in, Under-mount
- Drain location: End
- Basin area, bottom: 42-3/8" x 20" (1076 mm x 508 mm)
- Basin area, top: 54-3/8" x 24-5/16" (1381 mm x 618 mm)
- Weight: 96 lbs (43.5 kg)
- Minimum floor load: 50 lbs/ft² (244.1 kg/m²)
- Water depth: 15-1/16" (383 mm)
- Water capacity: 59.8 gal (226.4 L)
- Cutout: Drop-in, 59-1/2" x 28-1/2" (1511 mm x 724 mm)
- Electrical component rating: Blower: 240 V, 5 A, 50/60 Hz
- Blower speed: Variable
- Minimum flat for door: 2-1/2" (63 mm)

Notes

Measure your actual product for rough-in details. Install this product according to the installation instructions.

The hot water supply should be 70% of the capacity of the bath or greater. Installations will vary.

Kit is required for under-mount installations (sold separately).

If relocating the blower motor, do not relocate or alter the PVC tee or coiled flexible tubing connected to the blower. Follow the blower relocation instructions exactly. Provide access for servicing the blower.

ADA compliant when installed to the specific requirements of these regulations.