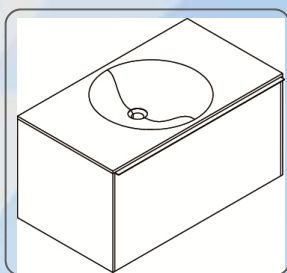


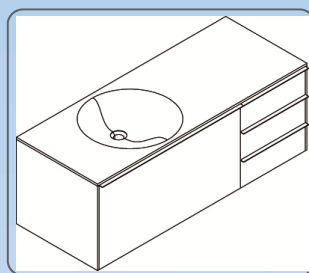
KOS

MORPHING UNIT

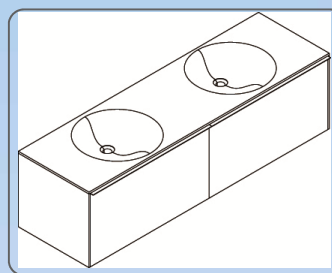
- IT** ISTRUZIONI PER L'INSTALLAZIONE
- GB** INSTRUCTIONS FOR THE INSTALLATION
- FR** INSTRUCTIONS POUR L'INSTALLATION
- D** MONTAGEANLEITUNGEN ZUR INSTALLATION
- ES** INSTRUCCIONES PARA LA INSTALACION
- RU** ИНСТРУКЦИИ ПО МОНТАЖУ
- PL** INSTRUKCJE INSTALACJI



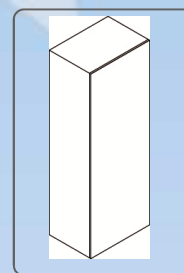
8MP202..



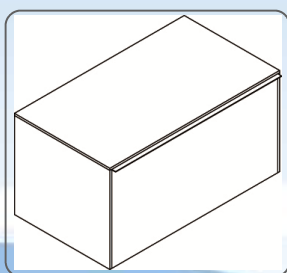
8MP204..



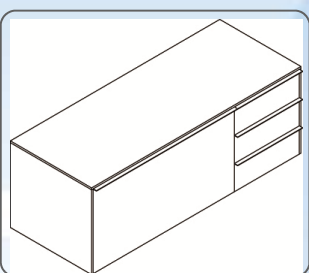
8MP206..



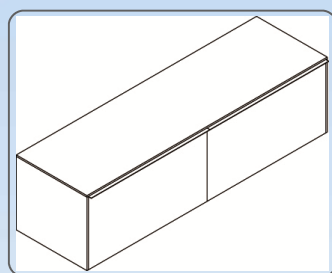
8MP402..



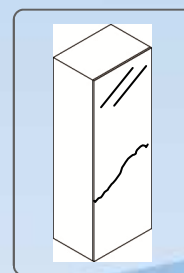
8MP203..



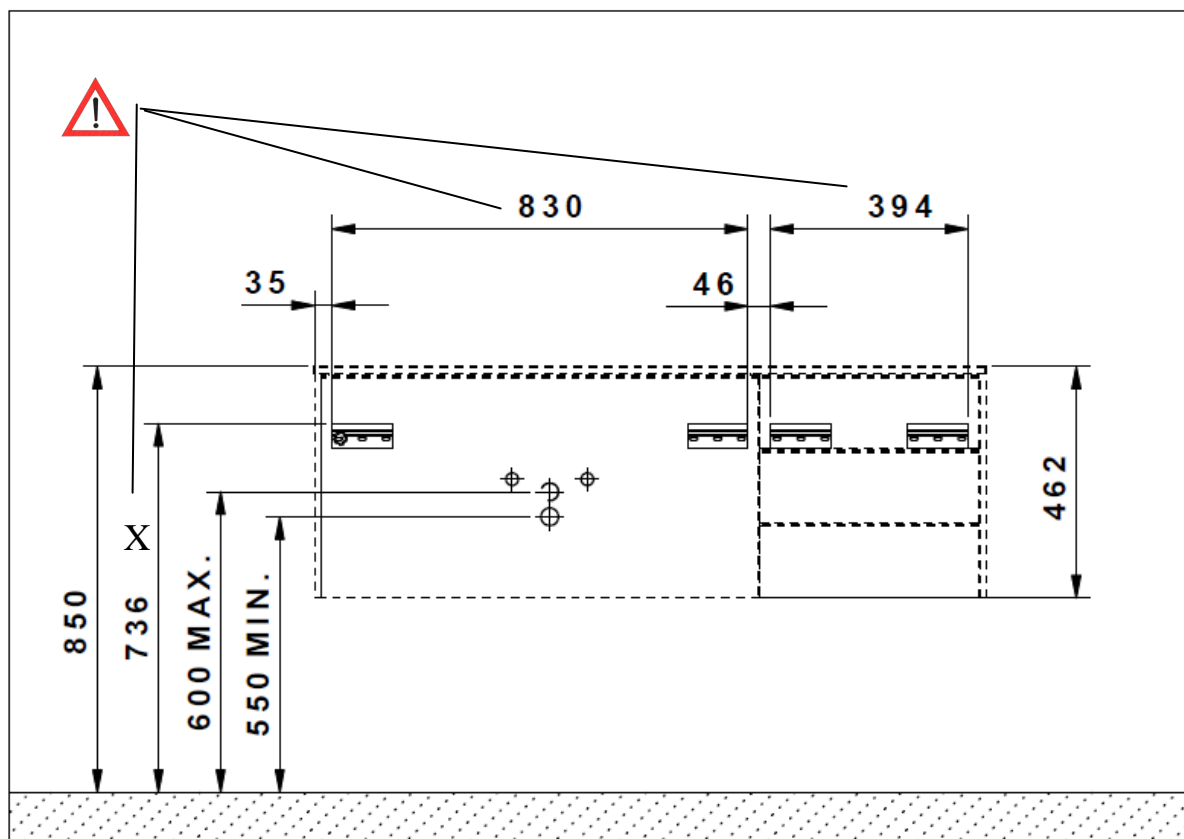
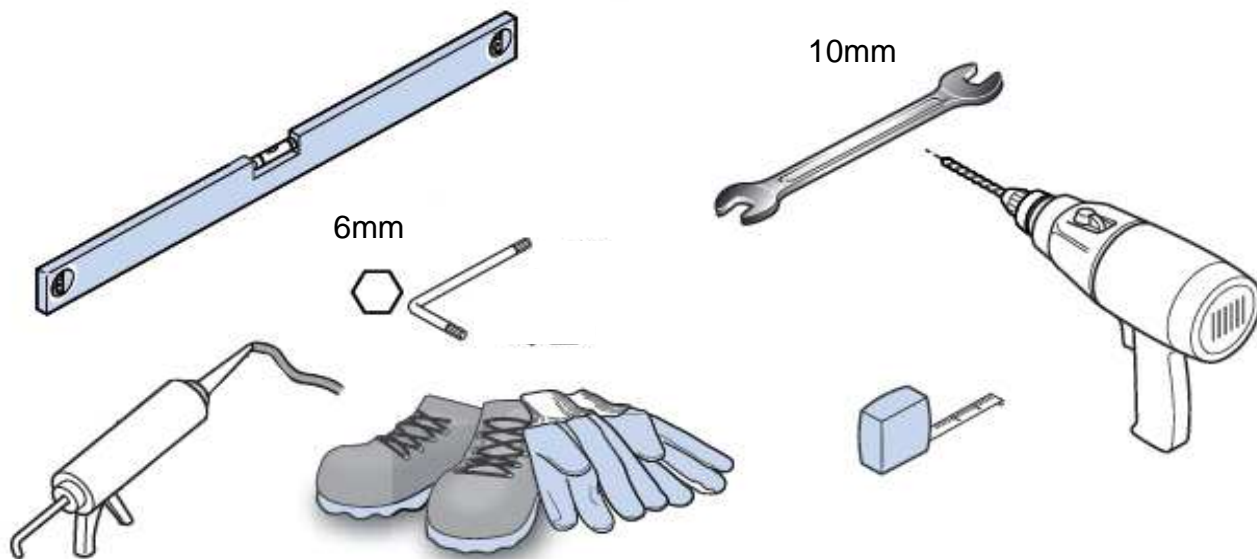
8MP205..

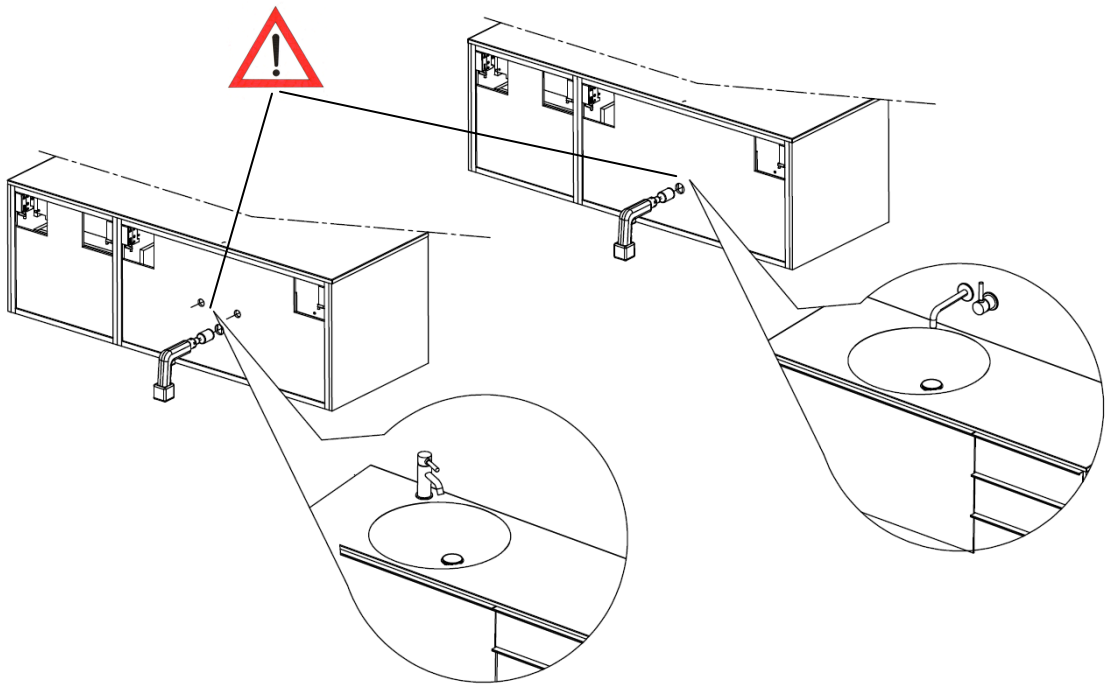
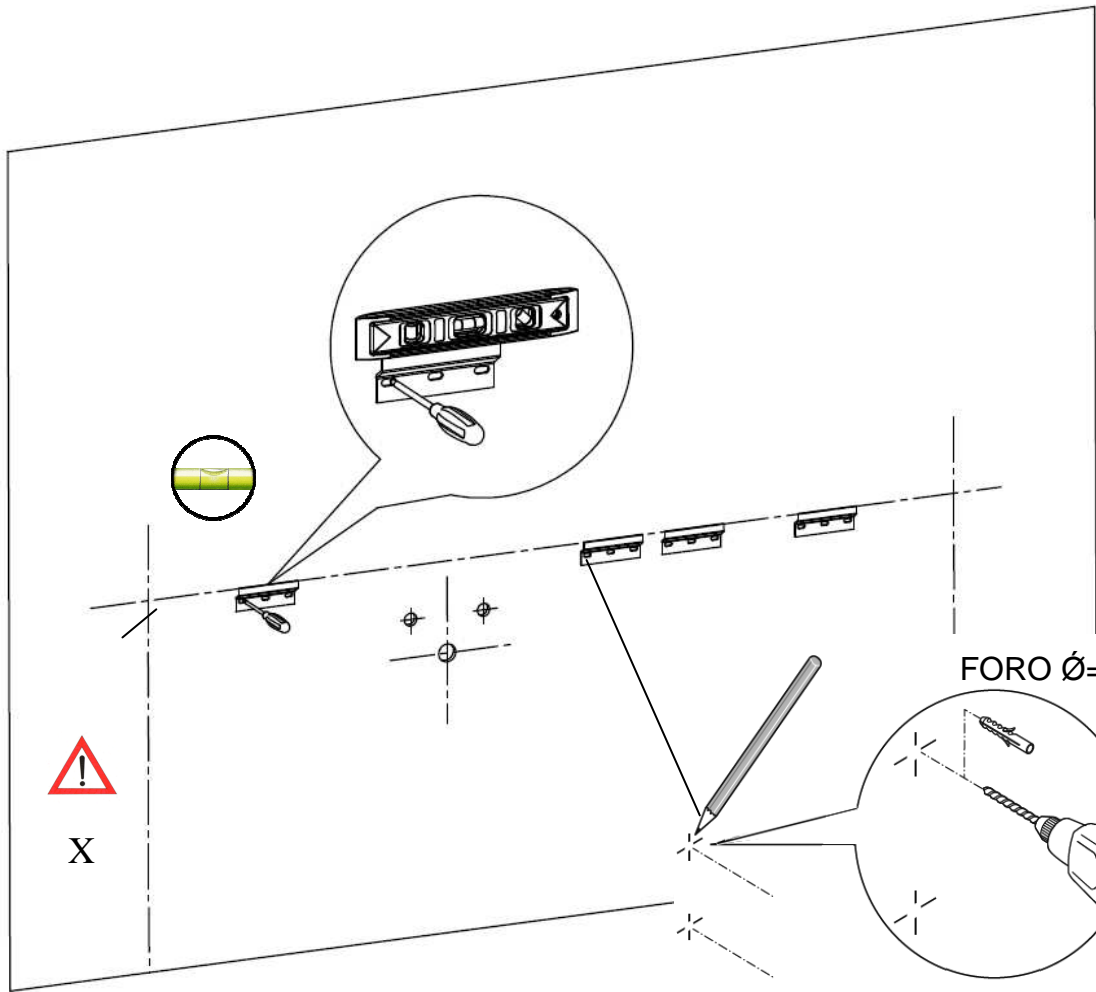


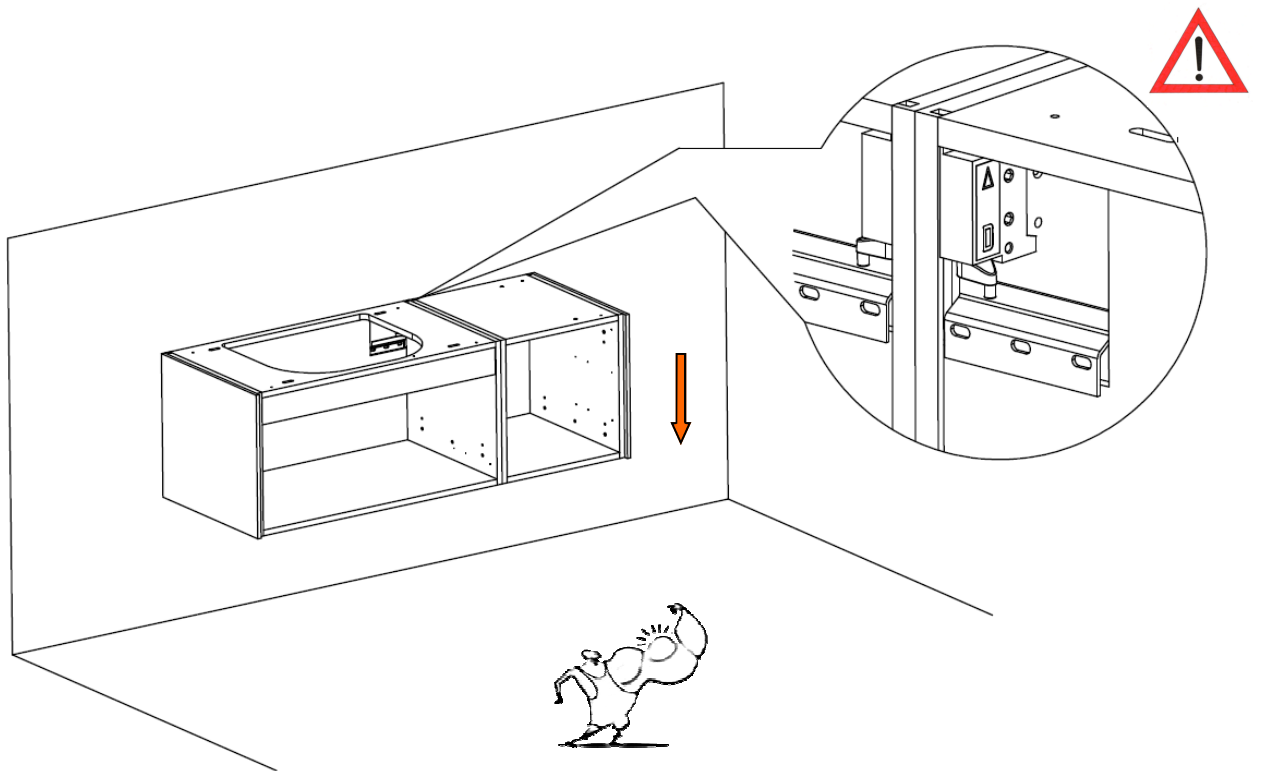
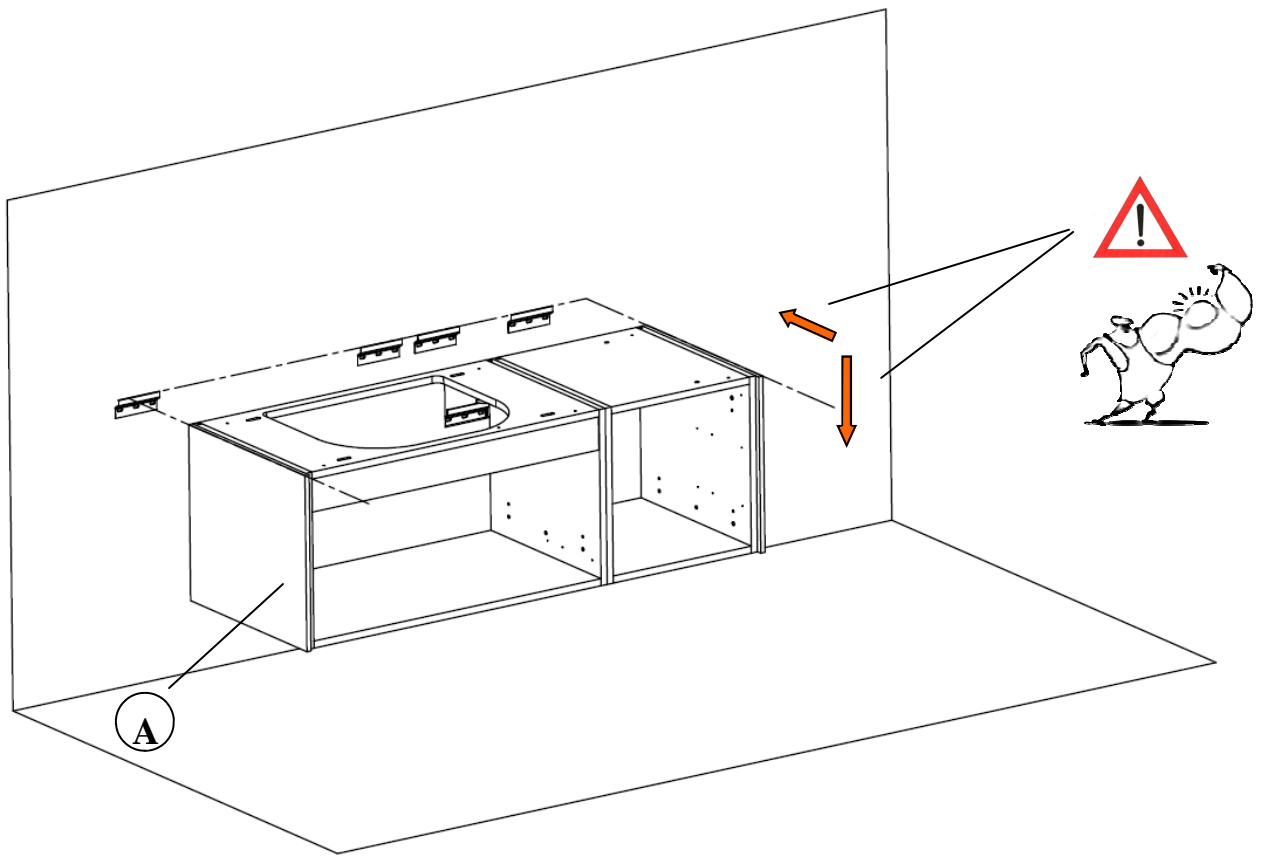
8MP207..

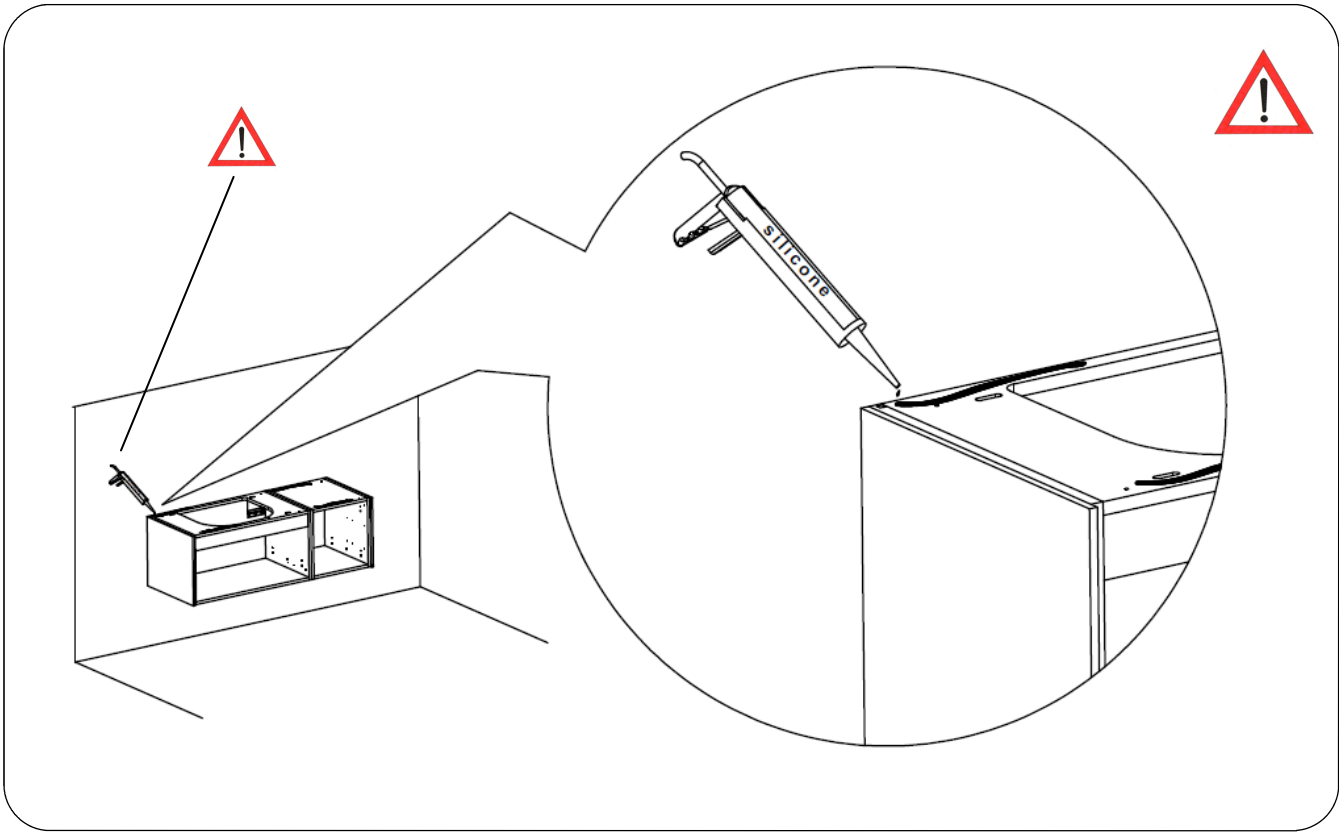
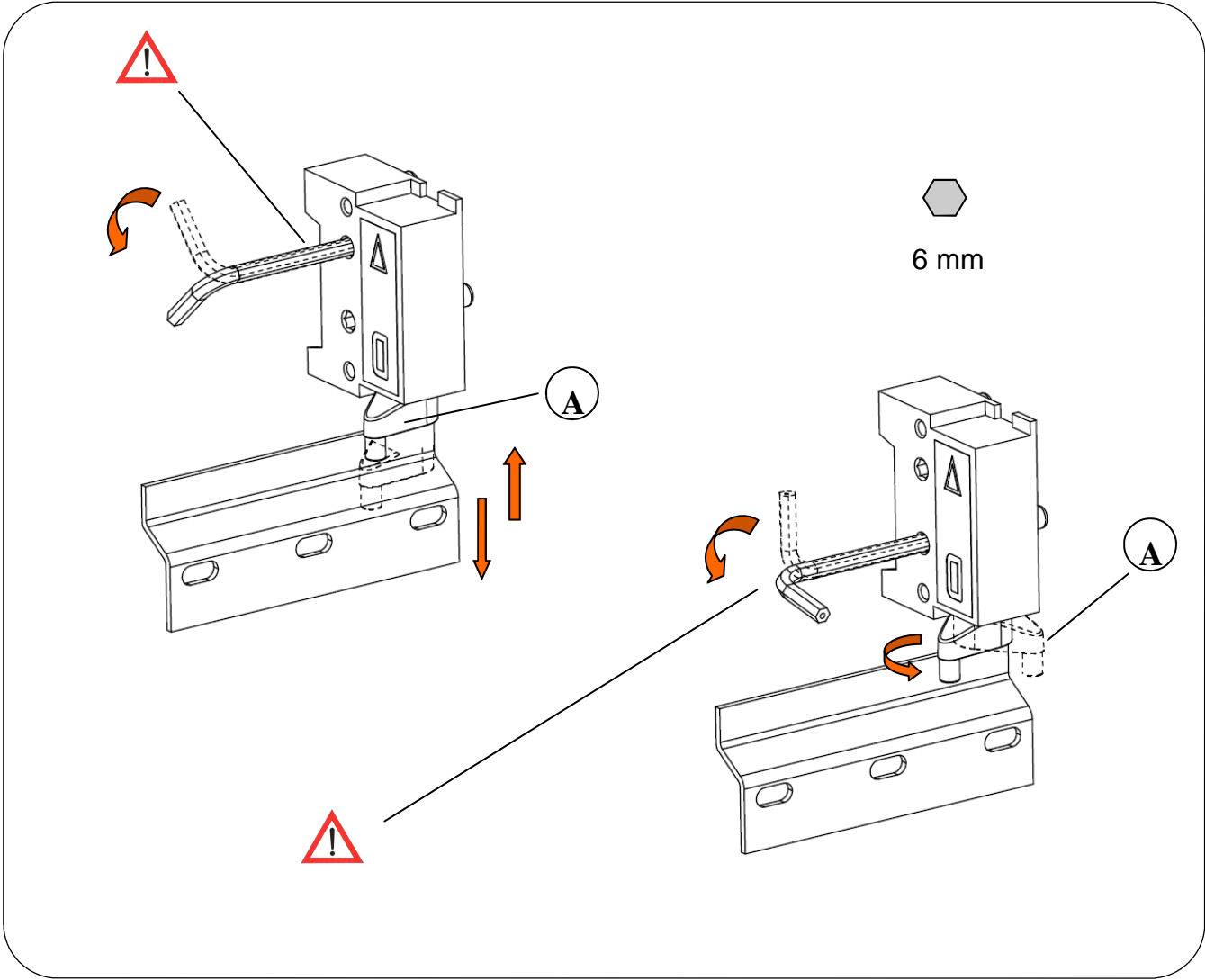


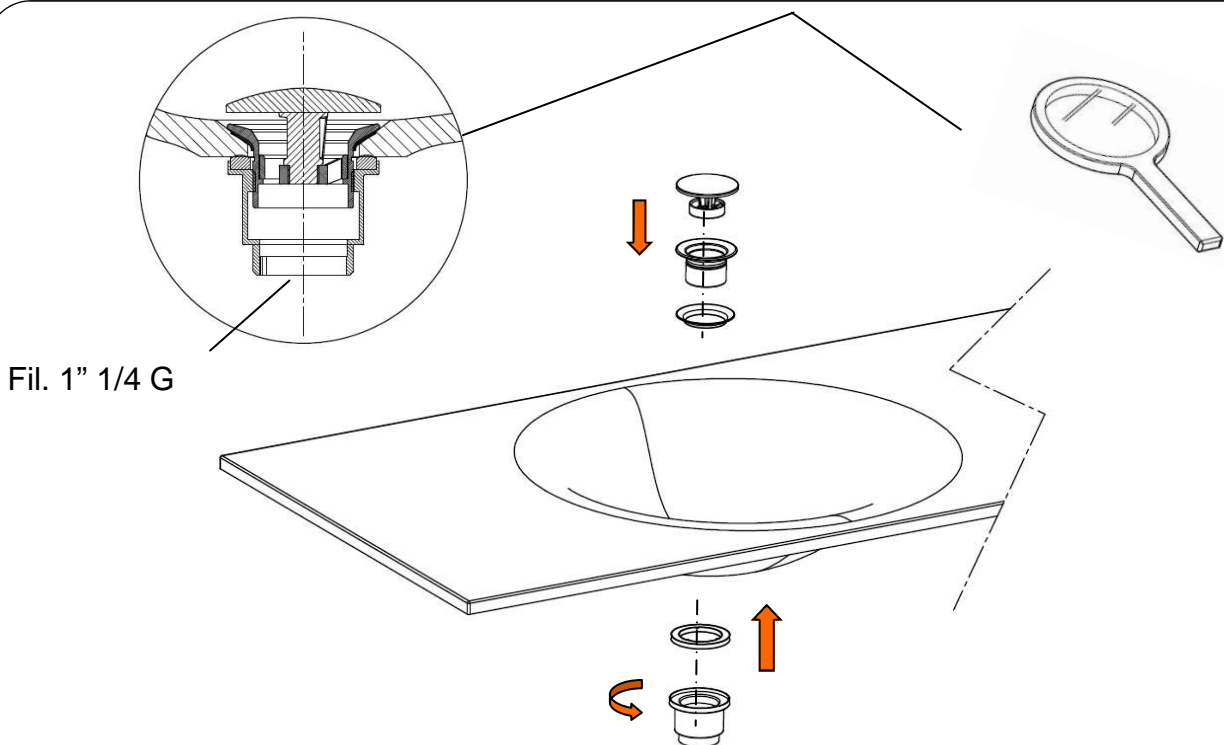
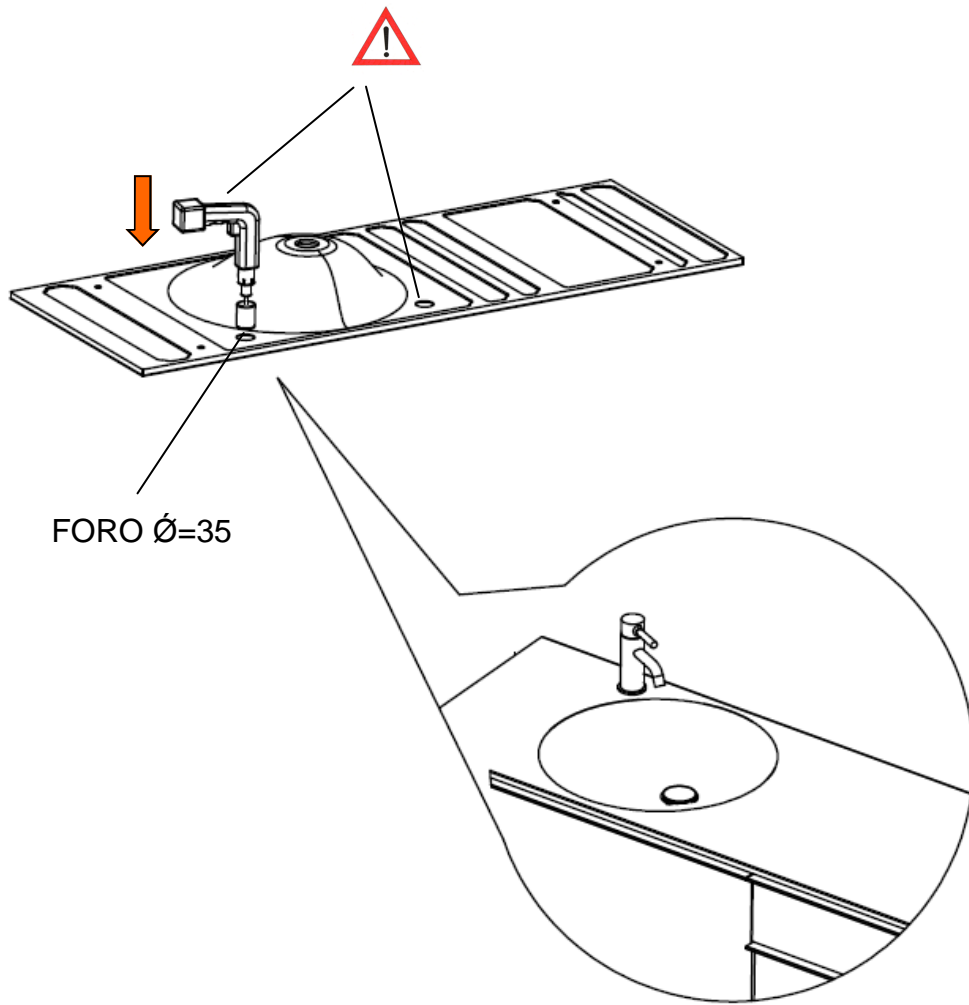
8MP402..

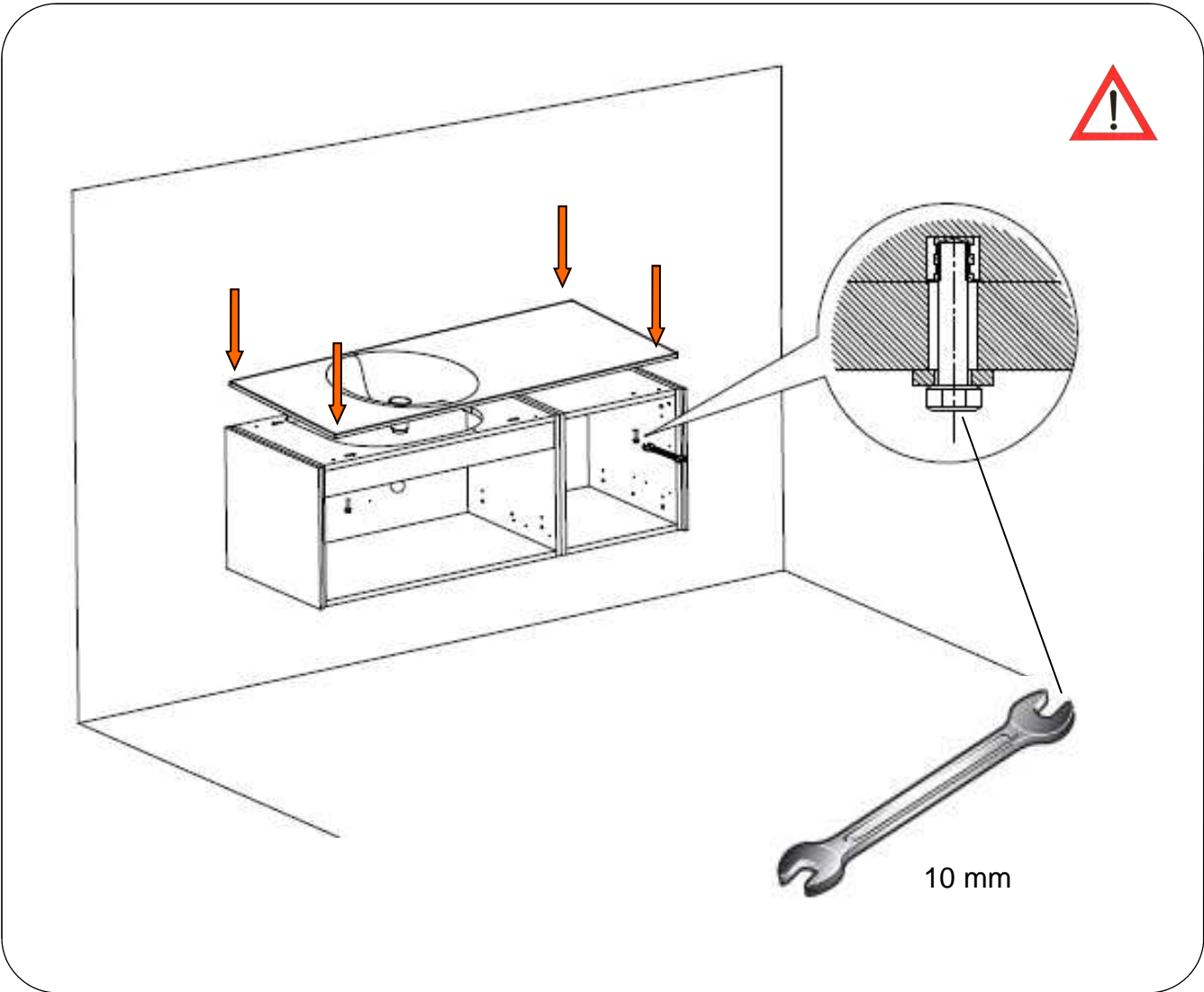
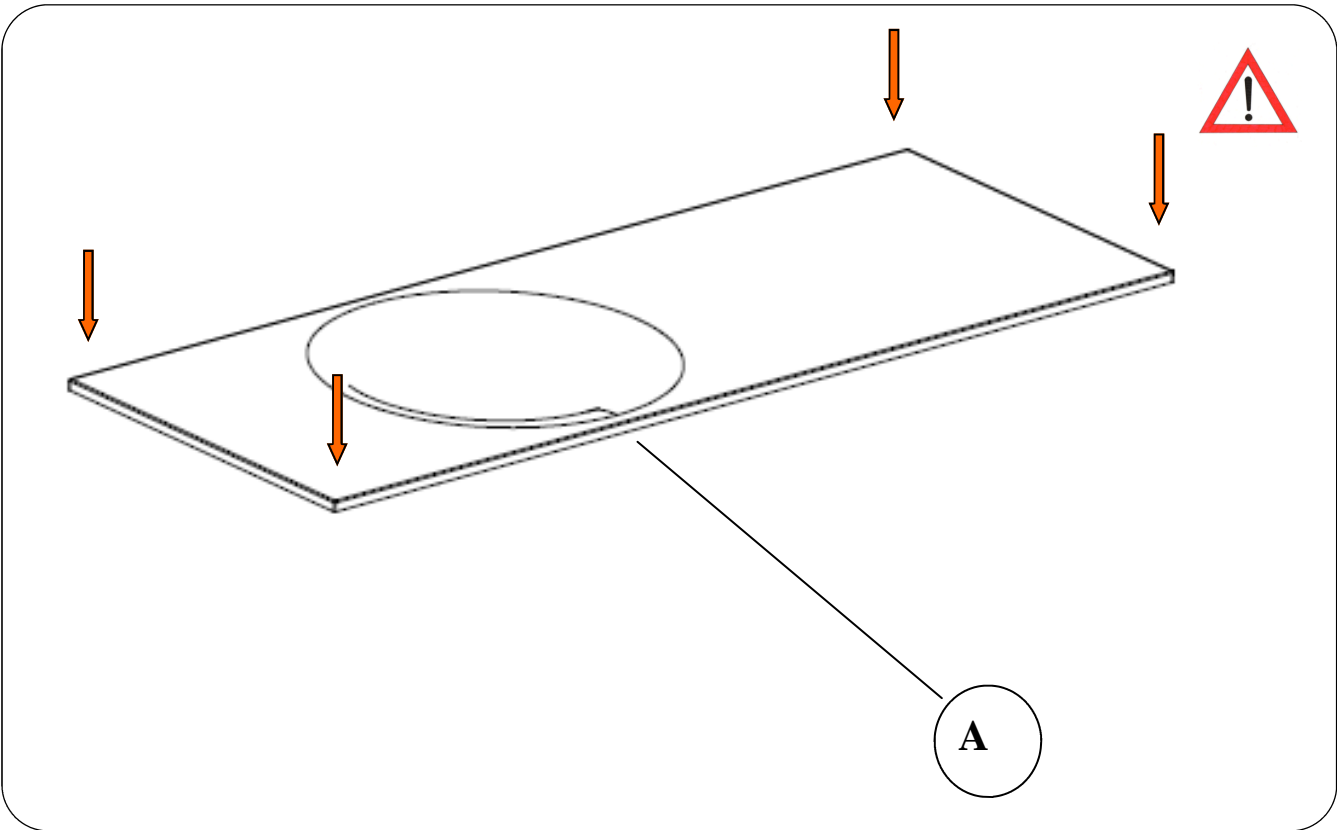


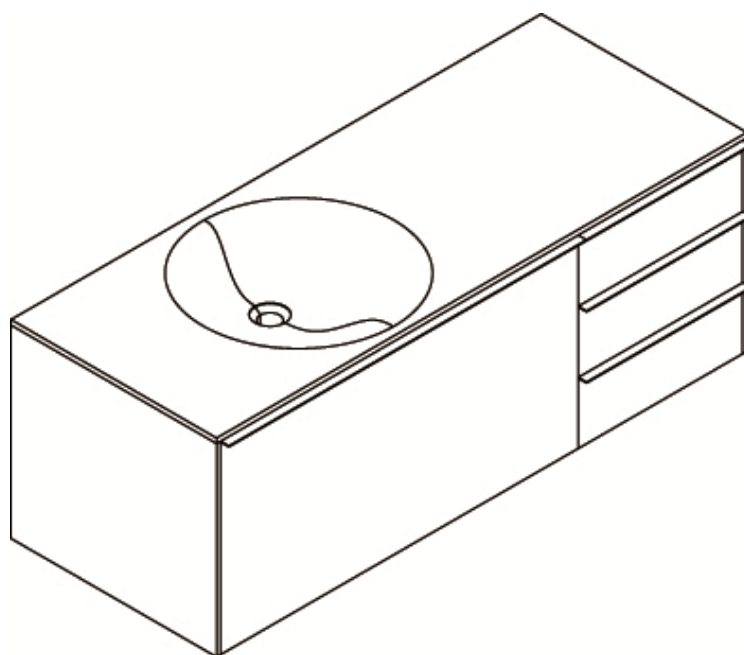
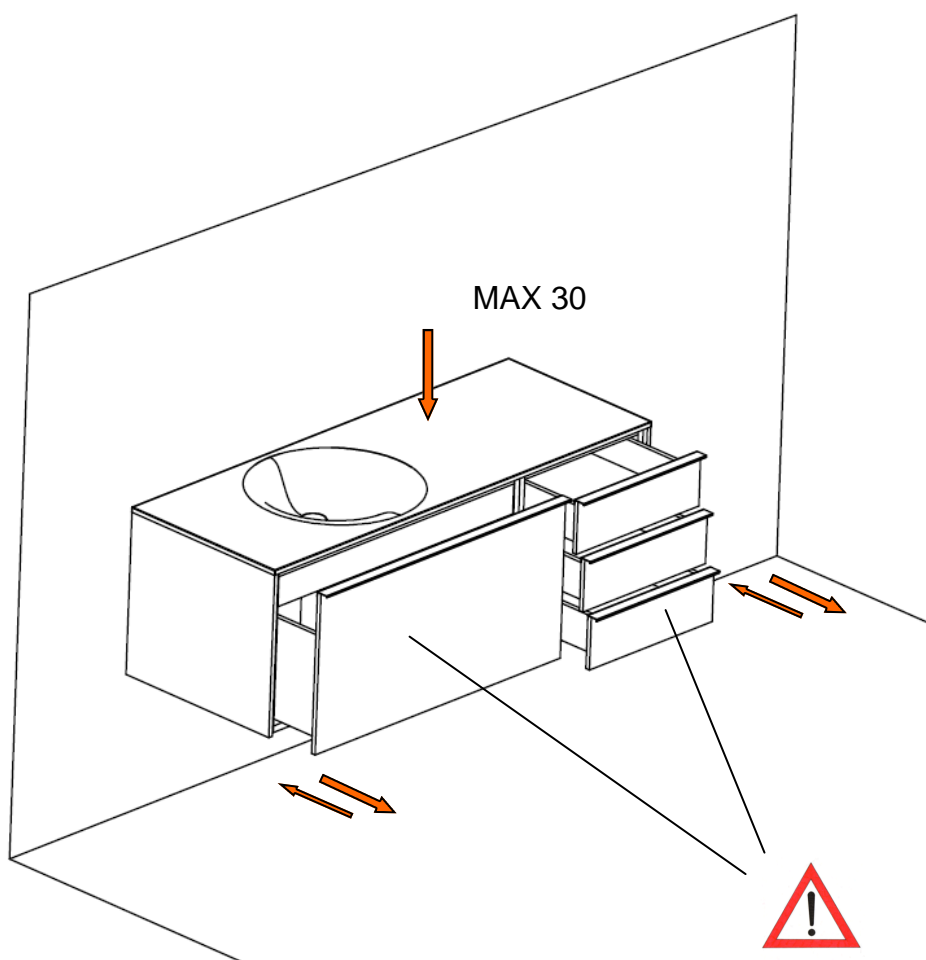


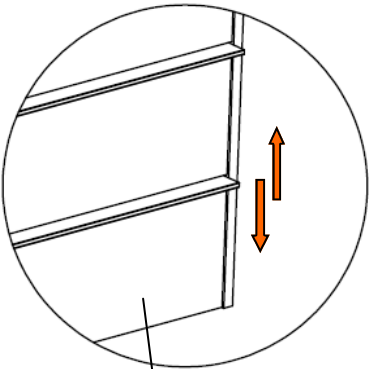




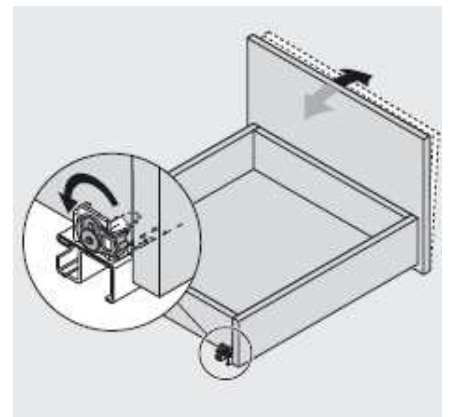
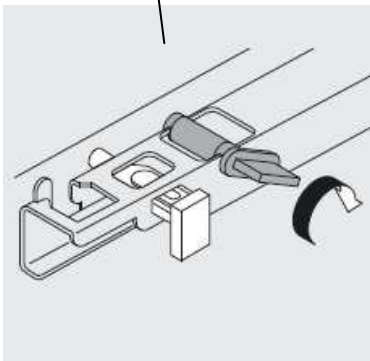
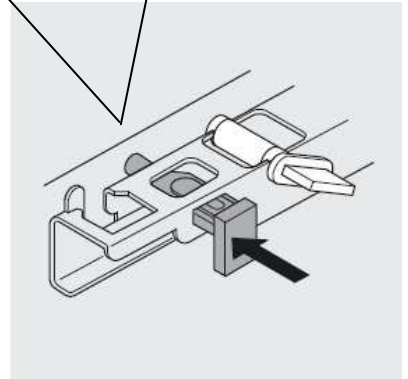


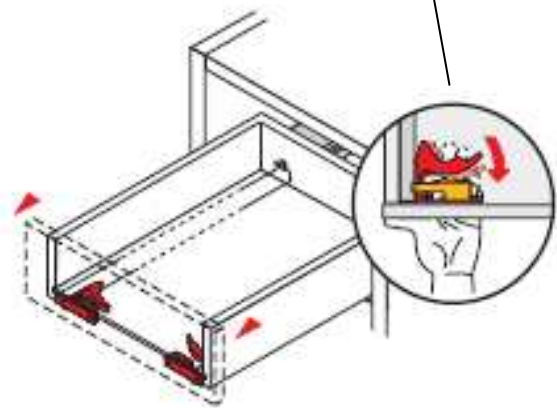
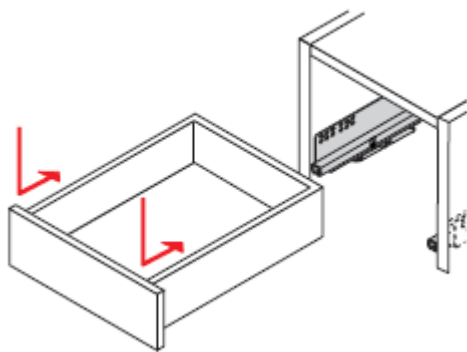
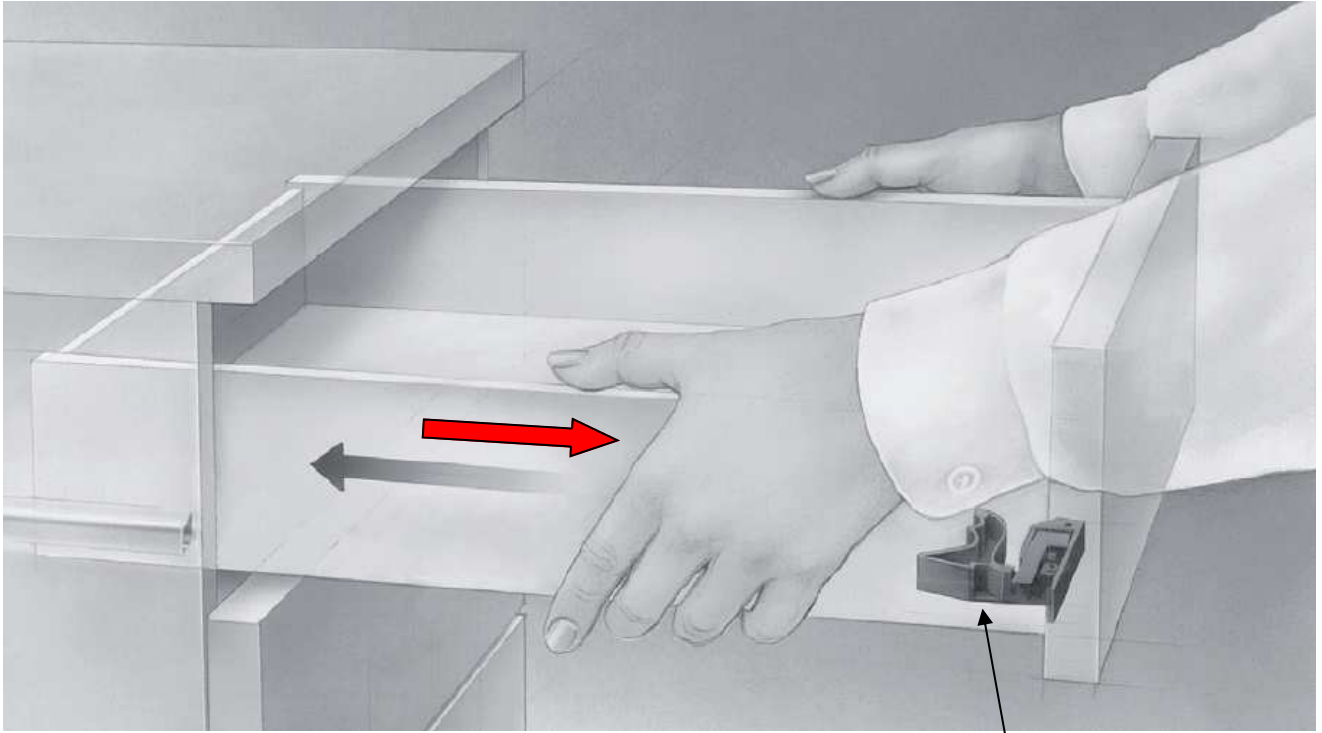


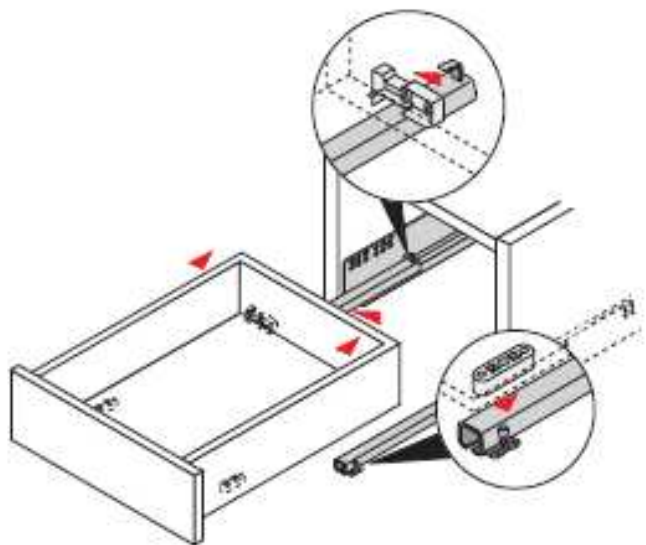
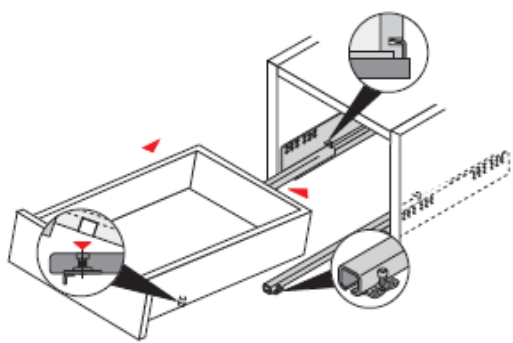
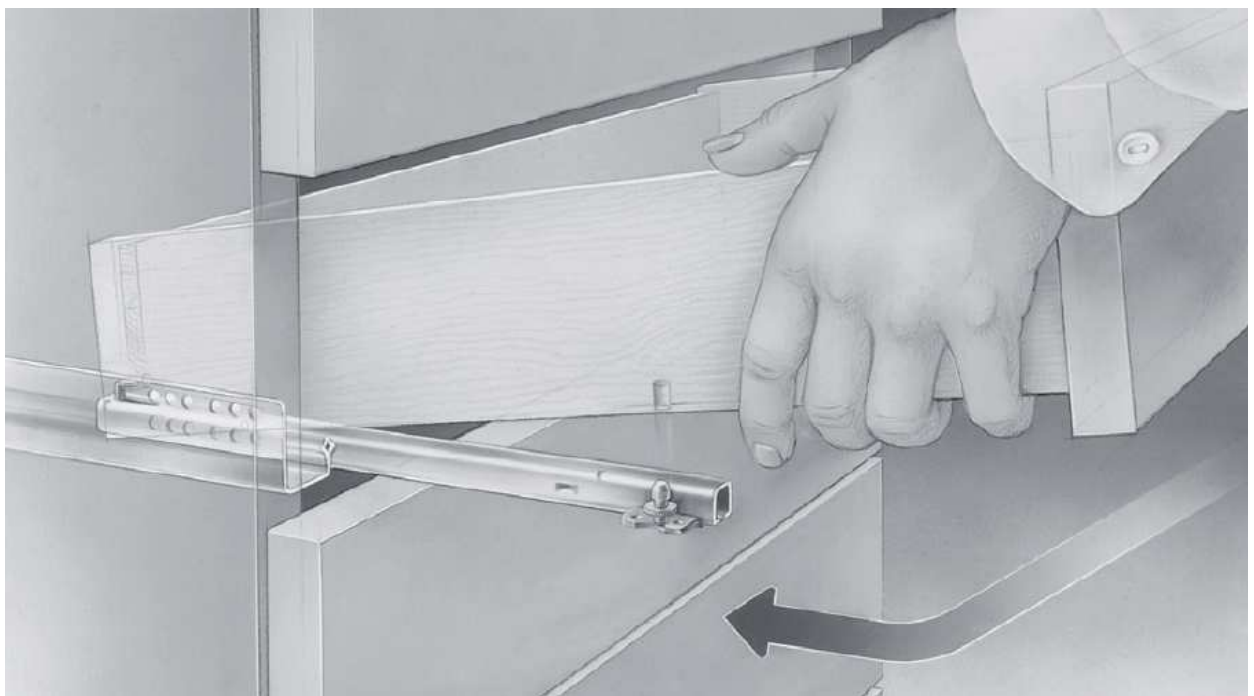


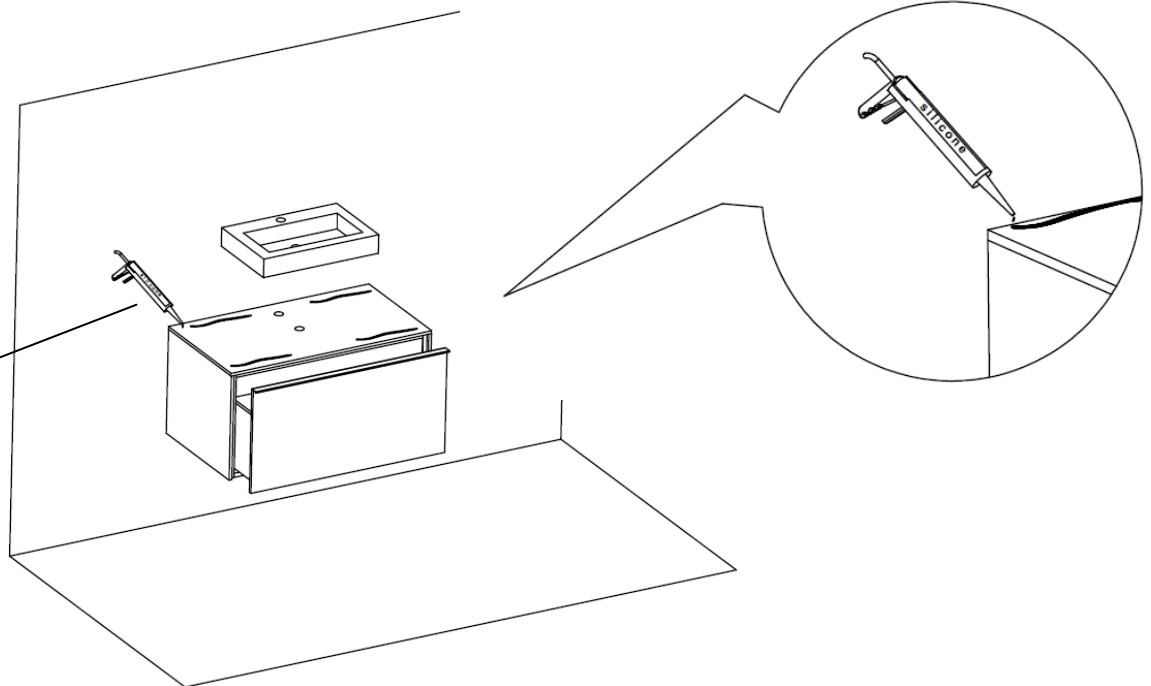
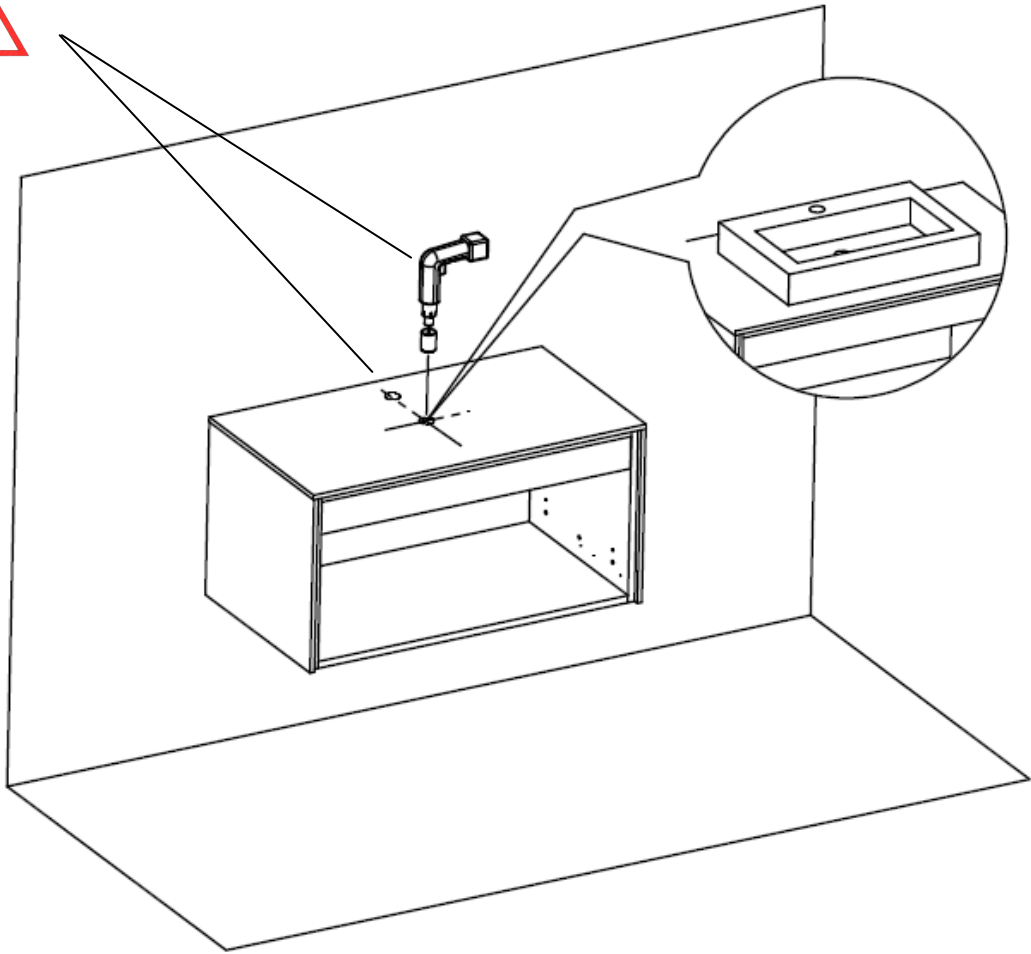


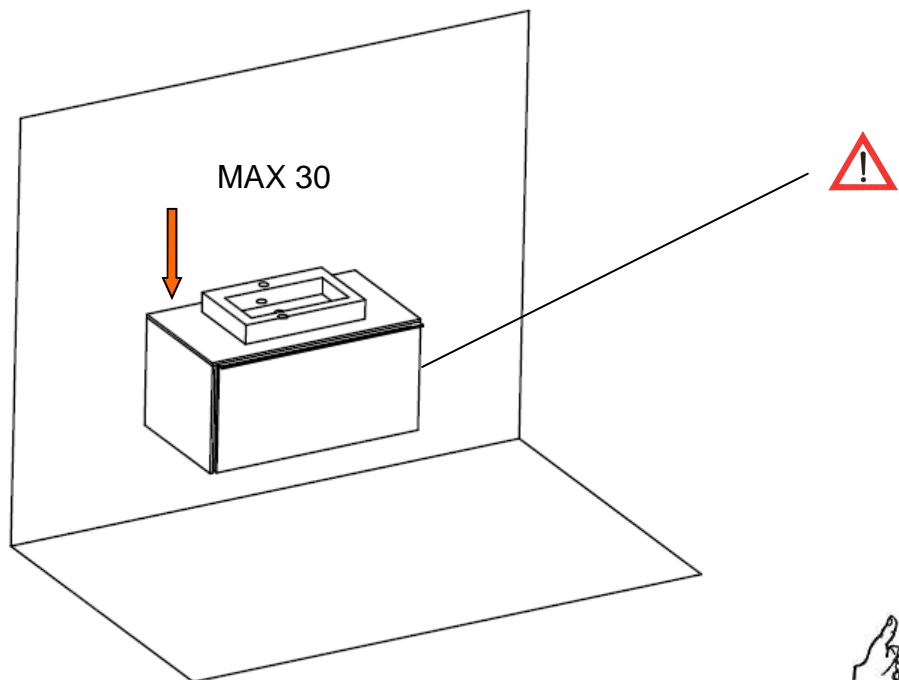
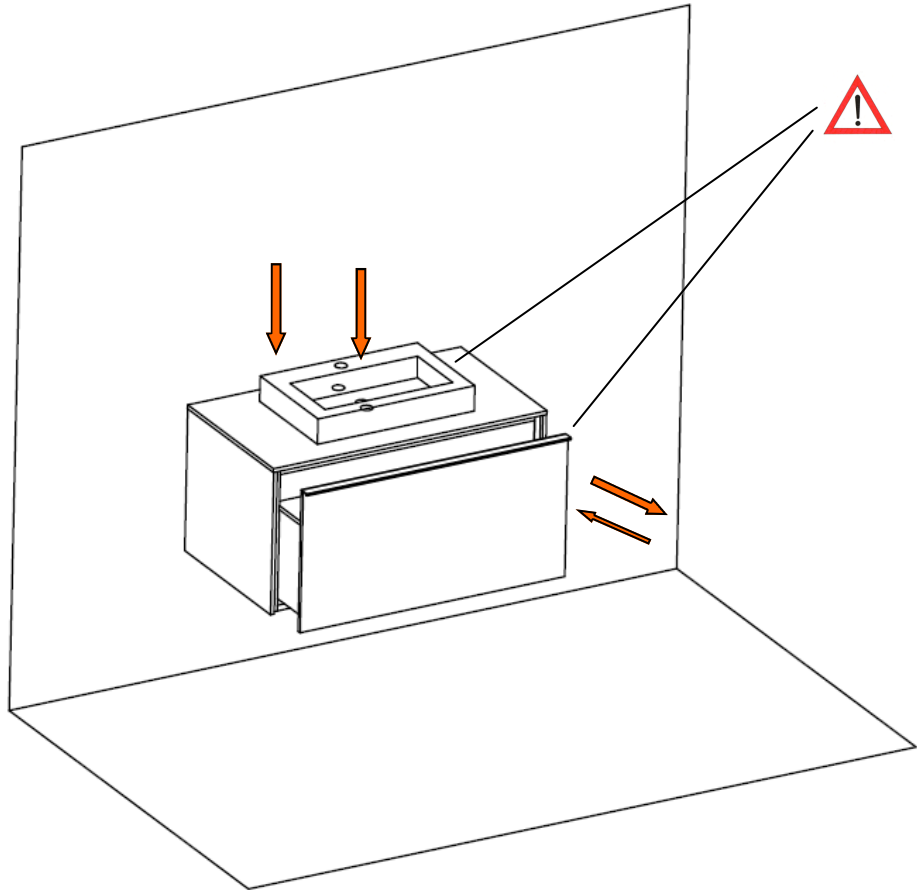
MAX 2.5 mm

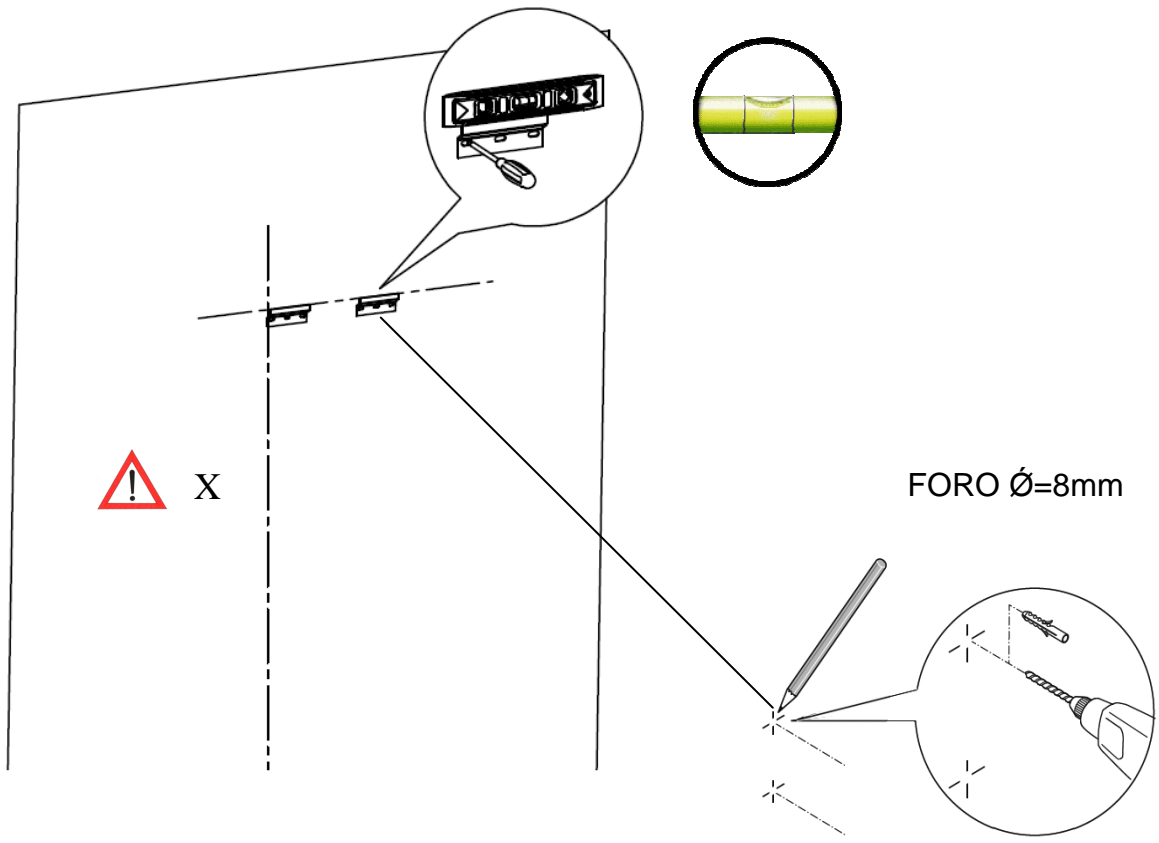
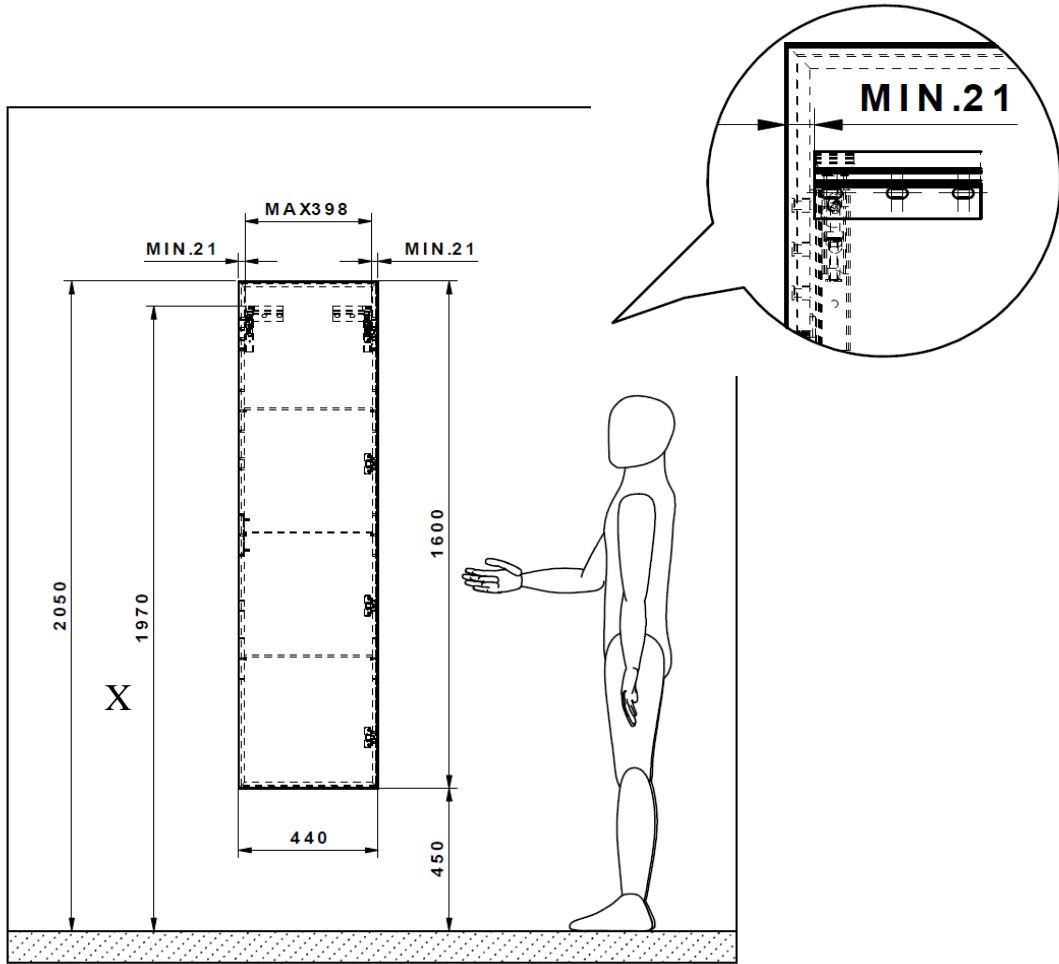


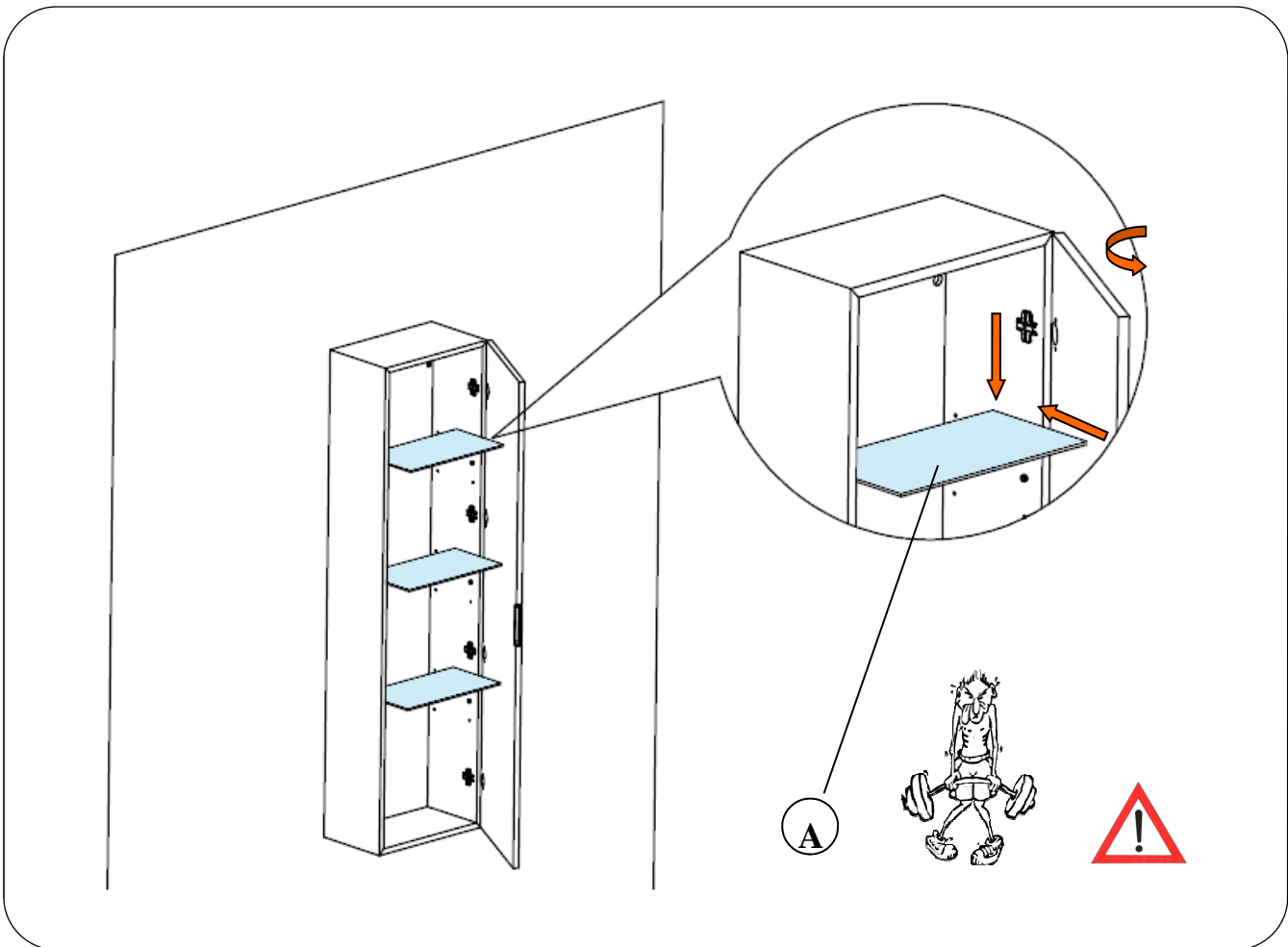
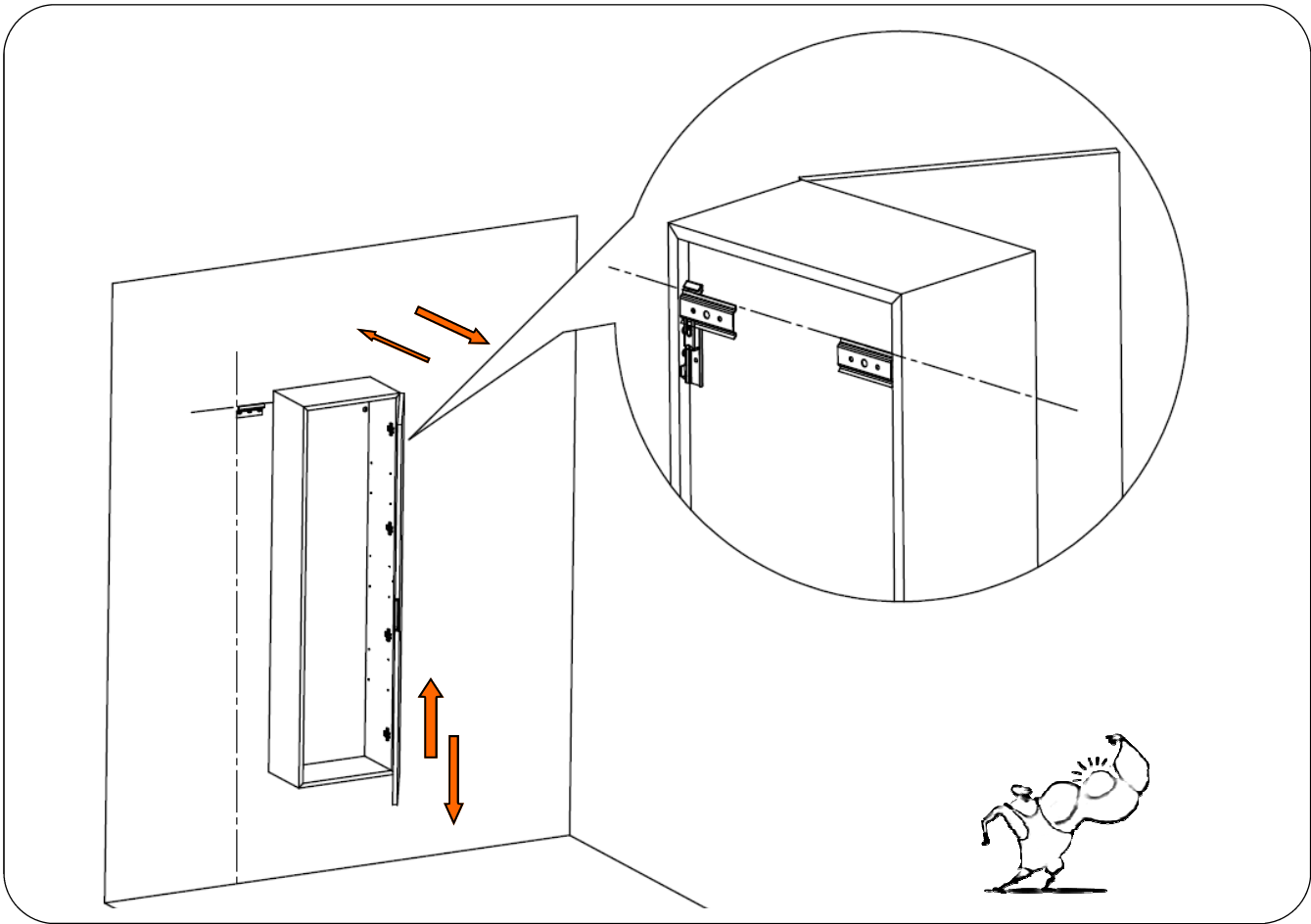


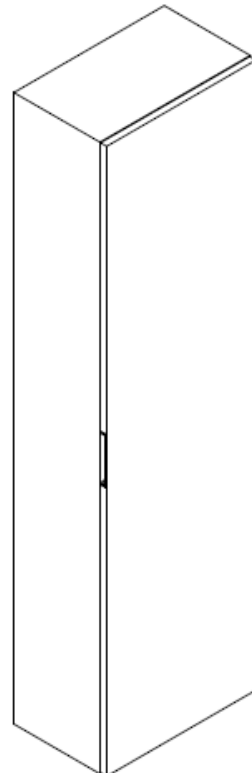
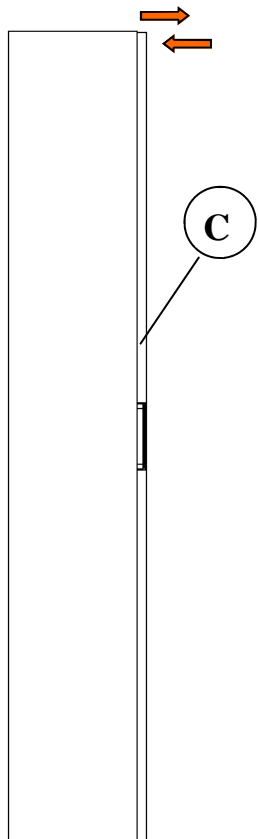
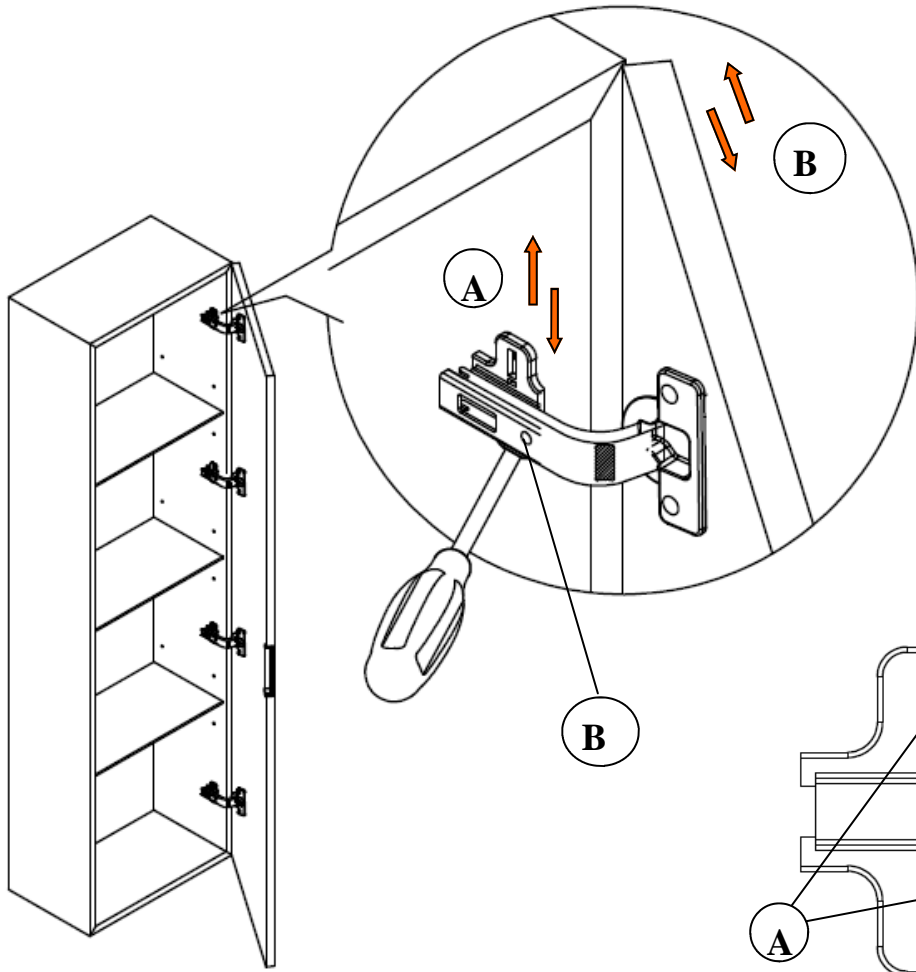












KOS

Zucchetti Rubinetteria S.p.A.

Via Molini di Resiga, 29

28024 Gozzano (NO) - Italy

tel. +39.0322.954700

Fax +39.0322.954823

www.kositalia.com

info@kositalia.com