



IB RUBINETTI

Collection

HERMES

Article

HR393

Description

Three holes bidet complete of automatic pop-up

Box Dimensions

425 x 188 x 98 mm

Weight

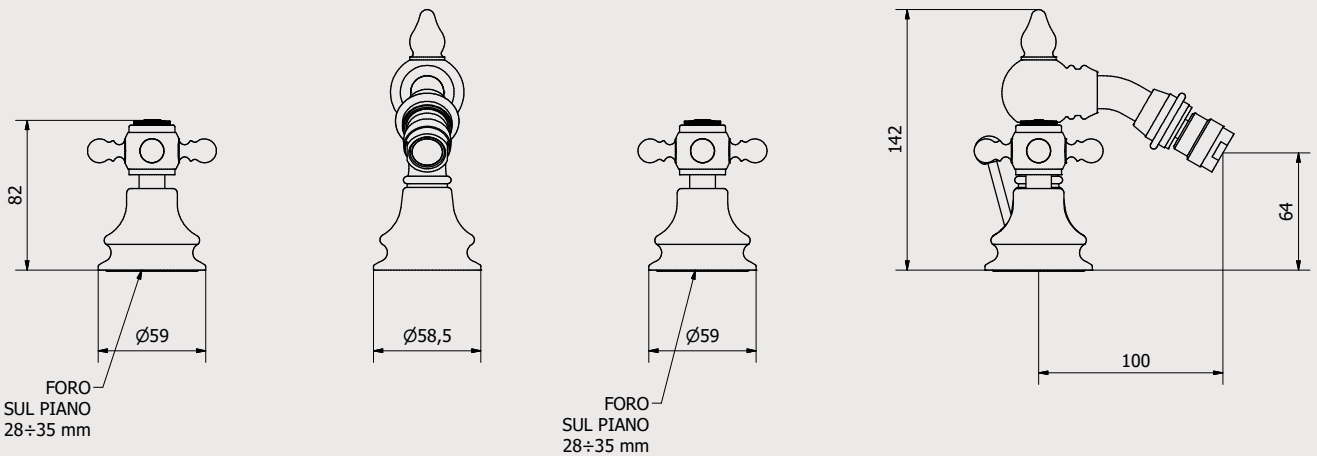
3.5 kg

Finishes

- **CC** CHROME
- **CF** BLACK CHROME
- **BG** GLOSSY WHITE
- **NG** GLOSSY BLACK
- **SS** BRUSHED NICKEL
- **CS** BRUSHED BLACK CHROME
- **BO** MATT WHITE
- **NP** MATT BLACK
- **OO** GOLD
- **BB** ANTIQUE BRONZE
- **II** PALE GOLD
- **RR** ANTIQUE COPPER
- **ORS** ROSE GOLD
- **ON** NATURAL BRASS
- **IS** BRUSHED PALE GOLD
- **HH** PVD CHOCOLATE



Dimensions



Headworks

IB G1/2" Ceramics Headworks

Treaded fitting

Treaded fitting G1/2" male

Aerator

M24X1 perlator coin slot

Flow Rate (+/-10%)

1 BAR 9.5 l/min	2 BAR 13.8 l/min	3 BAR 17 l/min
---------------------------	----------------------------	--------------------------

Production

Main body is a single hot stamped pieces

Material

BRASS
According to CuZn42 (CW510L)
Max Lead content: 0.2%

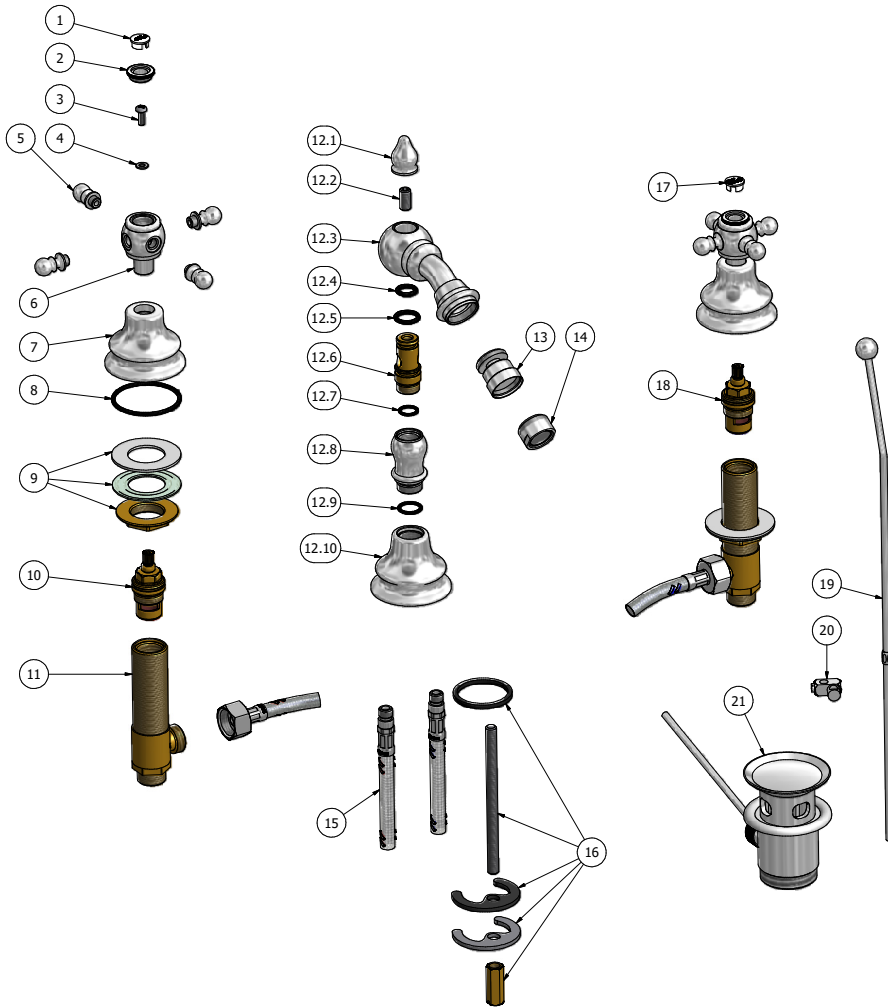
IB RUBINETTERIE s.p.a
via dei Pianotti 3/5
25068 Sarezzo (BS) - Italy -

T. +39 030 802101
F. +39 030 803097
info@ibrubinetterie.it

P.IVA 01785230986
capitale sociale
€420.000,00 i.v.

WWW.IBRUBINETTI.IT





Elenco parti			
ELEM	CODICE	NUMERO DI MAGAZZINO	QT
1	AQ0013551	Handle's plug hot	1
2	AQ0009069	Cover Ø20 PLS	2
3	AQ0010985	Innox screw M4x12	2
4	AQ0010229	Innox washer Ø4	2
5	AQ0006591	Pin for handle	8
6	AC0003095	Lever Ø31.5 M8x1 H42	2
7	AC0007131	Bell Ø58.5 W26x19 H44.5	2
8	AQ0010096	OR 45.7x2.62 NBR 70 SH	2
9	AQ0010271	Fixing set	1
10	AQ0002135	Ceramic headwork 90° left	1
11	AS0002250	Washbasin upright W26x19	2
12	CPKHR393	Preassembled CCX01	1
12.1	AC0007124	Knob Ø19 M8 H27.4	1
12.2	AQ0006931	Grubscrew M8x16 p.p.	1
12.3	AC0009340	Bidet's spout	1
12.4	AQ0001320	OR 10.78x2.62 NBR 70 SH	1
12.5	AQ0001365	OR 13.95x2.62 NBR 70 SH	1
12.6	AS0007129	Insert Ø18.9 G3/8" H 43 M8	1
12.7	AQ0001350	OR 11.11x1.78 NBR 70 SH	1
12.8	AC0009347	Extension M18x1 G3/8"	1
12.9	AQ0001390	OR 14x2 NBR 70 SH	1
12.10	AC0007132	Base for extension Ø58.5 H45 M18x1	1
13	AS0001940	Articulated joint M24x1 (69.0151.0)	1
14	AQ0000020	Aerator M24 x 1 perlator honeycomb (40200503301)	1
15	AQ0000920	Innox hose M10x1 G1/2" F L350	1
16	AQ0007030	Fixing set	1
17	AQ0013552	Handle's plug cold	1
18	AQ0003930	Ceramic headwork 90° right	1
19	AQ0006667	Rod for waste with knob Ø16	1
20	AQ0000280	Junction	1
21	AQ0003140	Waste	1

WARRANTY

All IB Rubinetterie SpA products are warranted for 10 years from the date of purchase, for the following cases:

- Defects of casting, porosity and chrome plating.
- Operating defects caused by incorrect fabrication.

The warranty provides for repair or replacement of products with fabrication defects recognized by our technical office. There is no other type of compensation anche the merchandise must be returned FOB our warehouse. The warranty only cover surface defects (scatches, dings, etc.) on fitting that have not been installed and used, returned in its original packaging with all components. O-ring, gasket seals and components subject to wear proportional to use are warranted for 2 years.

The warranty is void in the following cases:

Error installing and putting the product into service.

Deterioration of finisched surfaces due to use of cleaning products containing acids or abrasive substances. Deterioration of surface with finishes other than chrome plating. Their durability is, in fact, dependent on the user's care and gentleness of use.

Deterioration of the fitting due incorrect installation.

Improper repairs and maintenance performed without the company's prior authorization.

The warranty from IB Rubinetterie SpA is not renewable.

Cleaning

We recommended cleaning the finish surfaces with water and soap, using a soft cloth.

Do not use detergents that cointain hydrochloric acid or abrasive substances.

