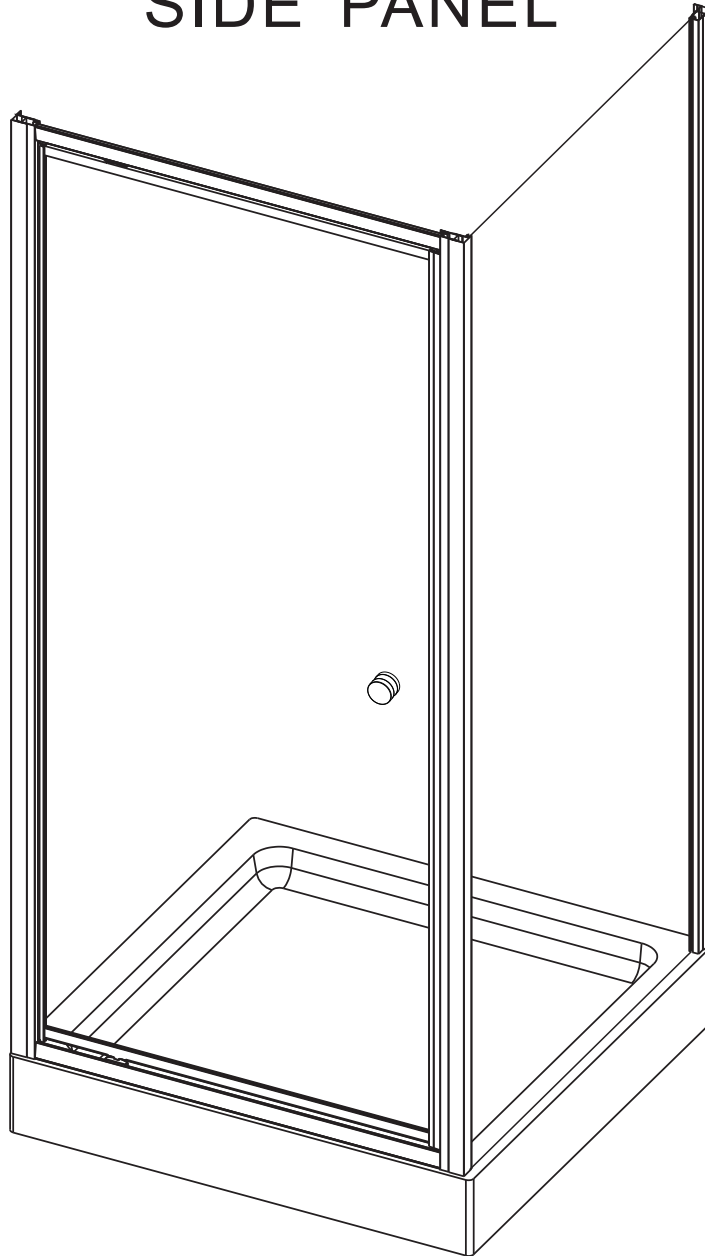


SIDE PANEL

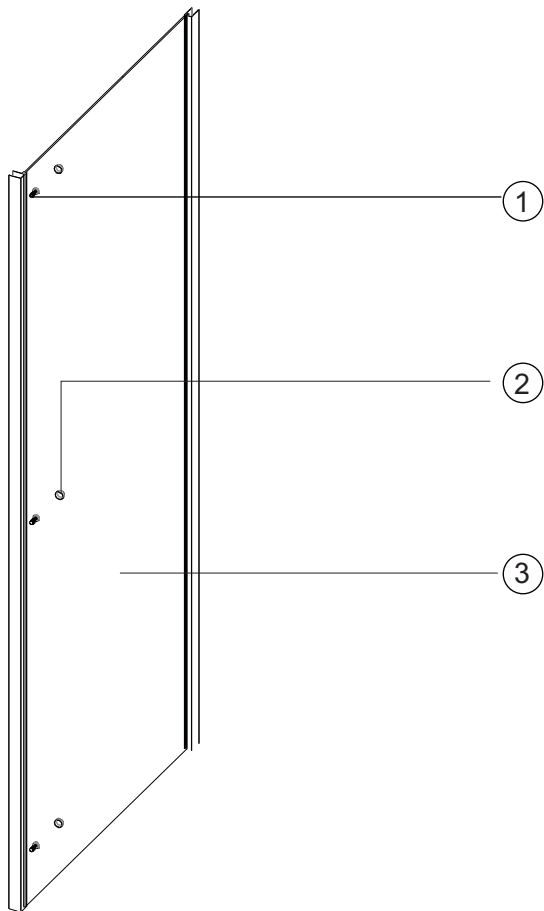


INSTALLATION GUIDE

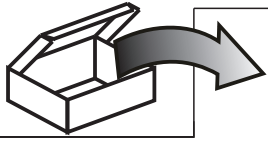
| Size | Product code | Adjustment |
|------|--------------|------------|
| 760 | A1207B0 | 730-750 |
| 800 | A1207D0 | 770-790 |
| 900 | A1207E0 | 870-890 |

ATTENTION

If you install the product in a way that differs from this manual this will void all guarantees. Before installation check that the product meets all your requirements and is not damaged. By proceeding with installation, You accept the condition of the product. The wall plugs supplied with the installation kit are for use in solid walls. Hollow or 'stud partition' walls will require alternative fixings. Please consult your local hardware supplier for the correct type.



| No. | Qty | Part No |
|-----|-----|---------|
| 1 | 3 | 2SY50 |
| 2 | 3 | C070 |
| 3 | 1 | A |

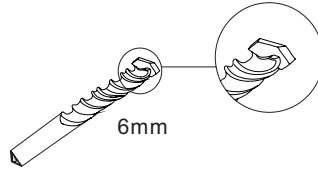
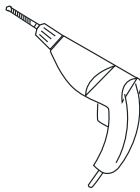
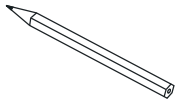


C070
x3

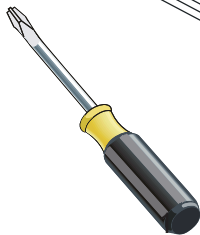
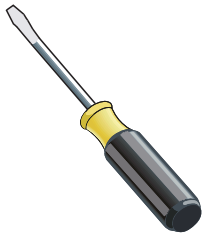
4X16mm



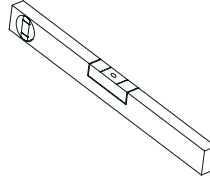
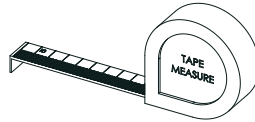
2SY50
x3



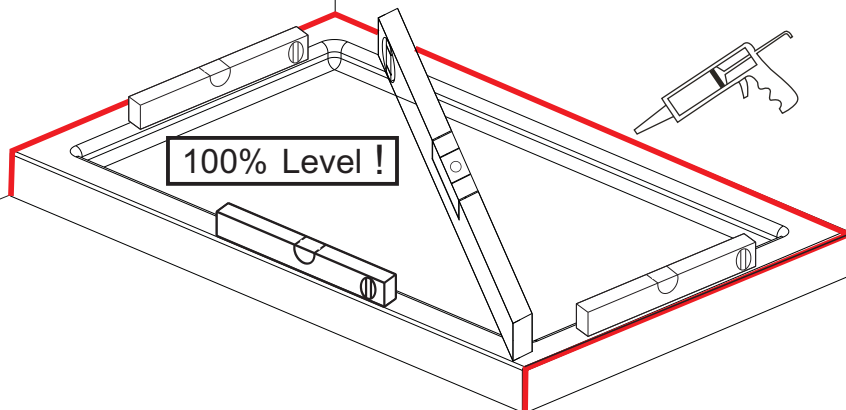
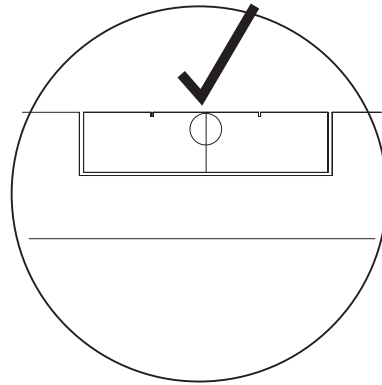
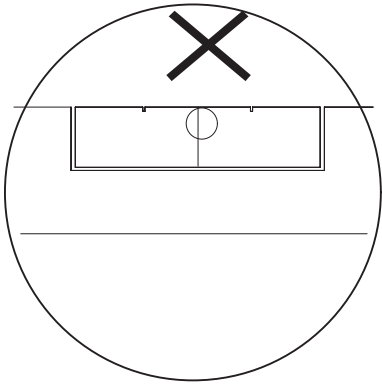
6mm



PH2

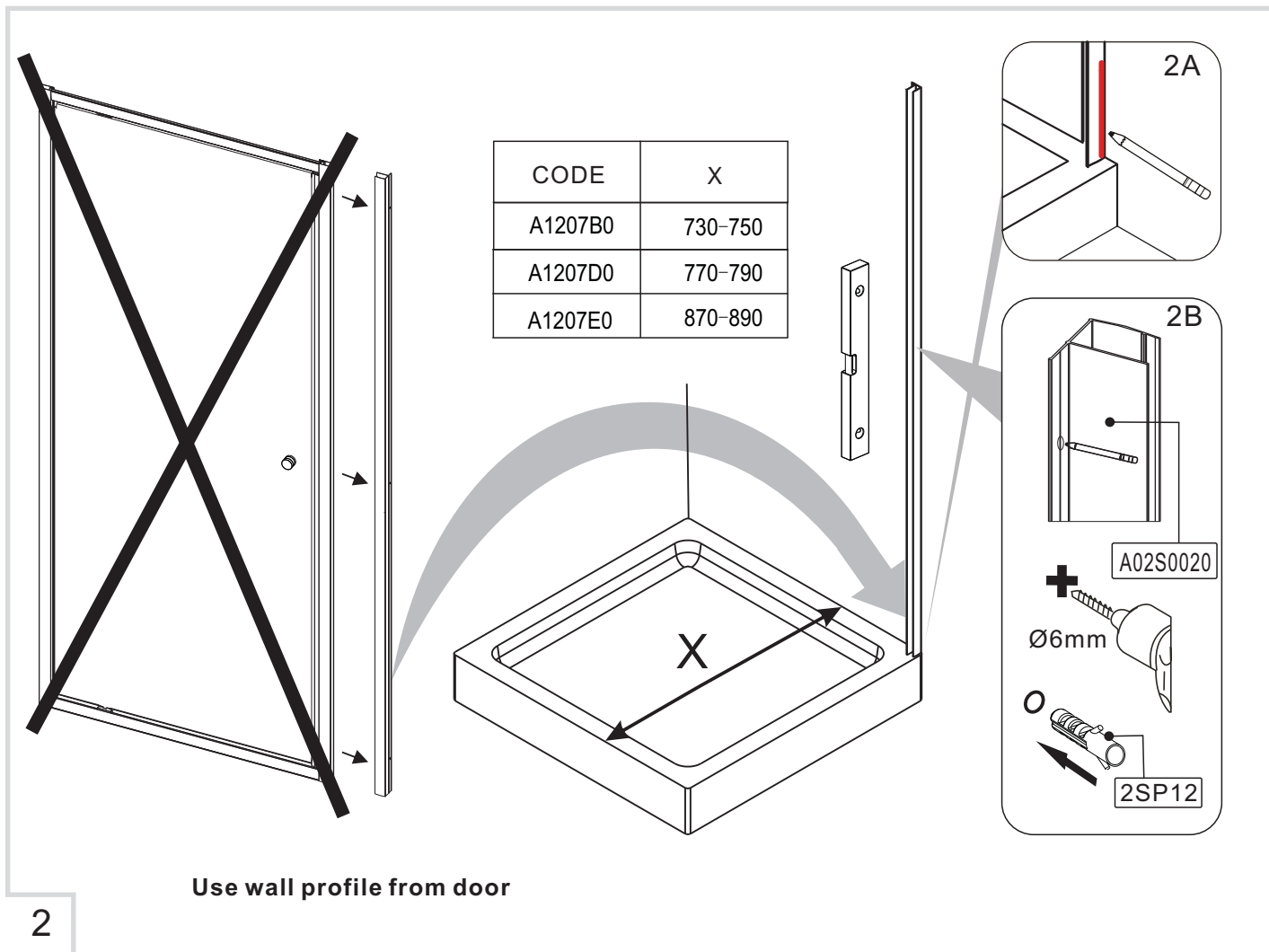


Please ensure your tray is 100% level in all directions before fitting your enclosure.

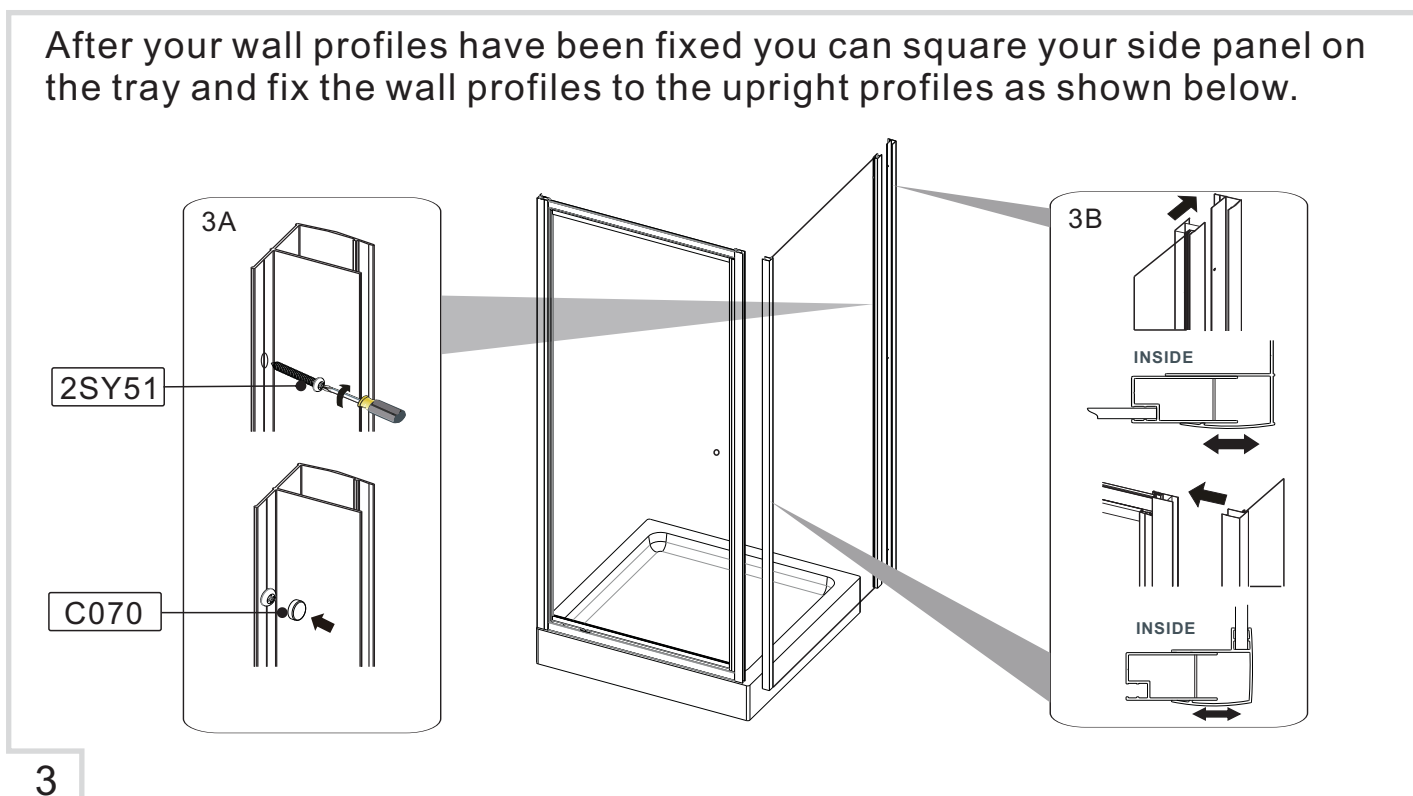


1

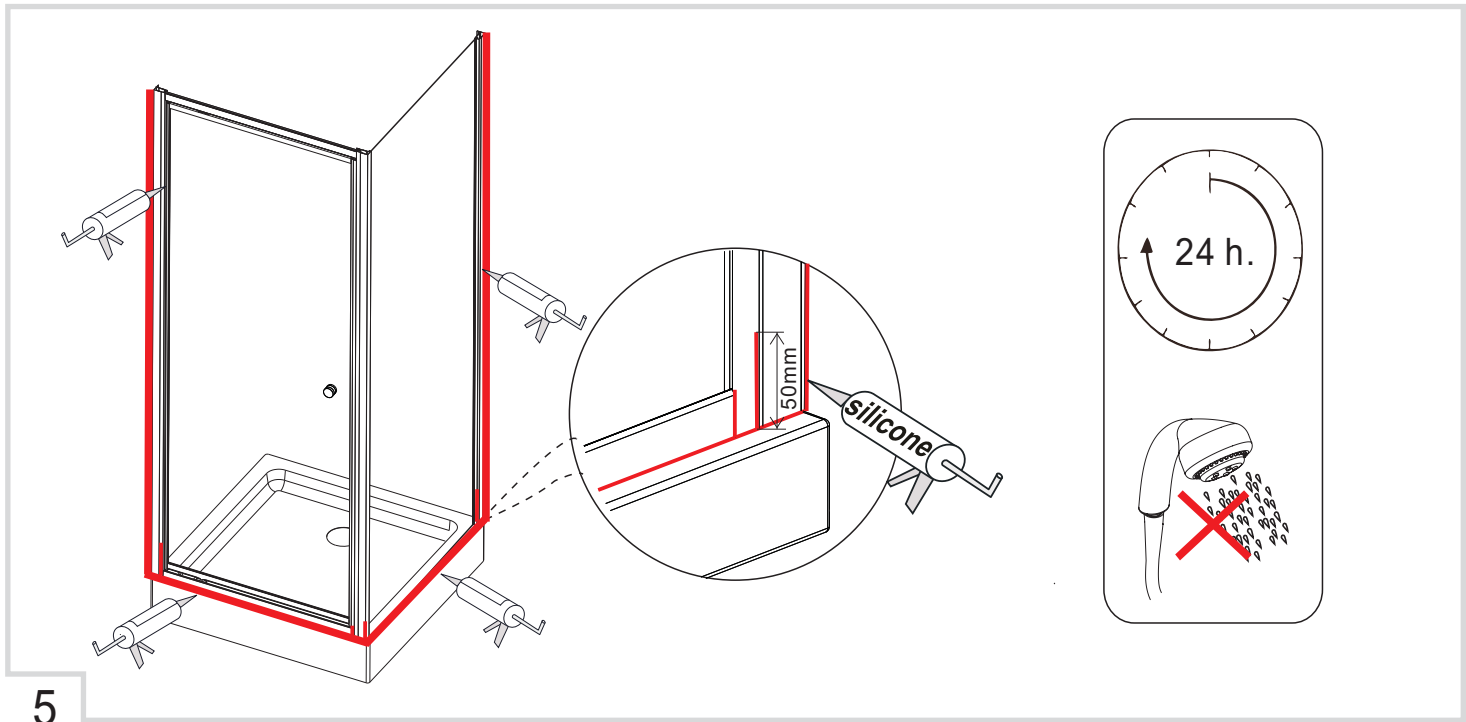
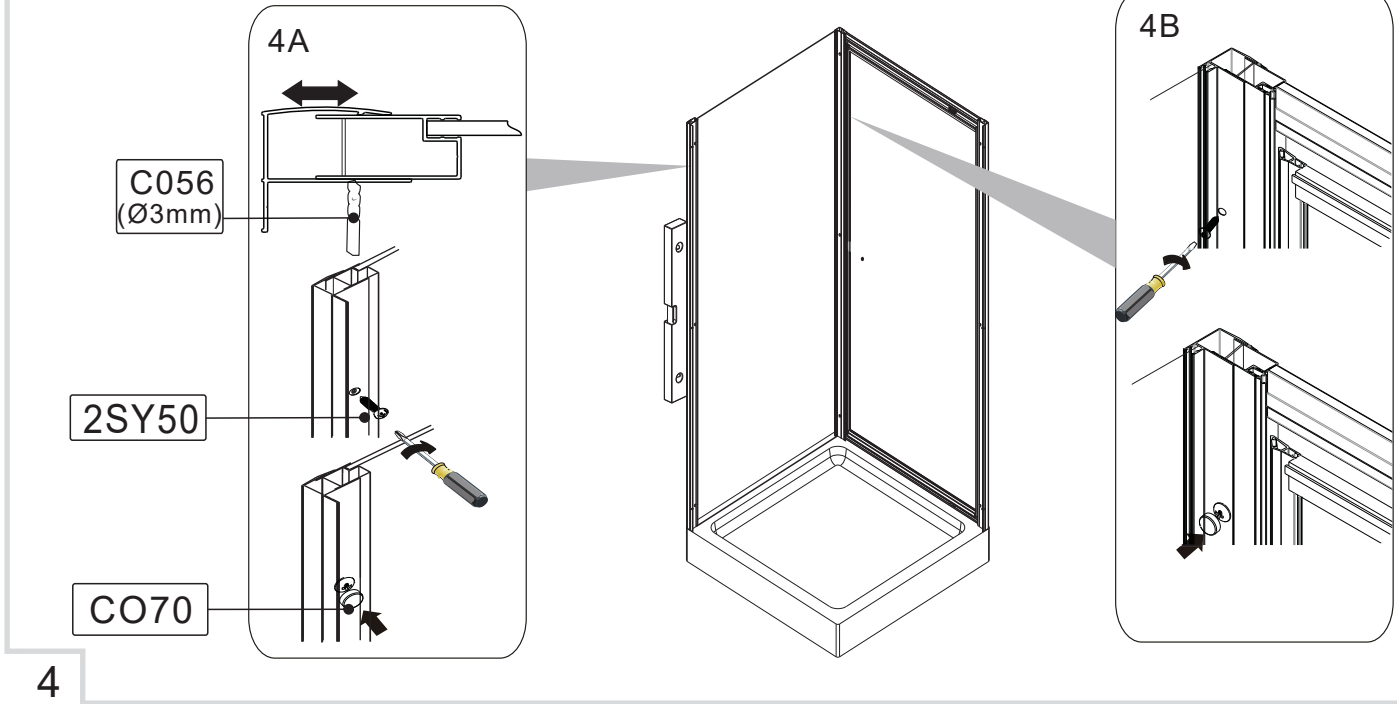
2



After your wall profiles have been fixed you can square your side panel on the tray and fix the wall profiles to the upright profiles as shown below.



The same process is used to fix the corner post to the upright profile of the enclosure.



| | |
|---|--------|
| CE | |
| Merlyn Industries Ltd (MER09) Purcellsinch, Kilkenny, IRL. | |
| 15 | |
| EN 14428 | |
| Shower enclosures with aluminium profiles and safety glass | |
| Cleanability | : Pass |
| Impact resistance/ shatter properties | : Pass |
| Durability | : Pass |