



BAY CITY™ BIKE RACK

PRODUCT DATA





BAY CITY™ BIKE RACK

PRODUCT DATA

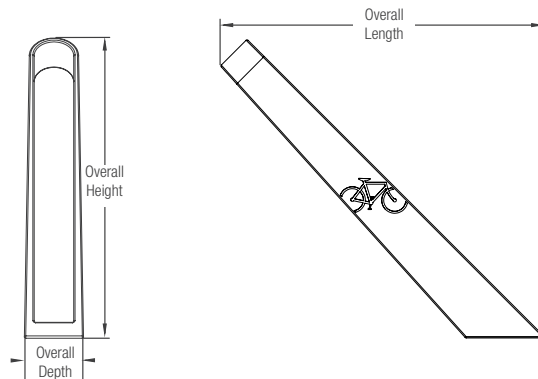
The **Bay City Bike Rack's** simple, angled design allows for a wide variety of grouped configurations perfect for adding visual yet functional impact to any environment. Orienting racks in a single direction affords the most efficient space layout, while an alternating plan allows for multiple locking points when high levels of security are required. Solid corrosion-resistant cast aluminum construction provides exceptional durability for heavy use. Highly configurable, modern and distinctive – Bay City can be used to seamlessly blend into or be a focal point of any landscape.

MATERIAL & FINISHES

MATERIAL	FINISHES	GUIDELINES & SECURITY	INSTALLATION	MAINTENANCE
<ul style="list-style-type: none"> Body is made of corrosion-resistant cast aluminum with powdercoat finish. 	<ul style="list-style-type: none"> See the Forms+Surfaces Powdercoat Chart for details. Custom RAL colors are available for an upcharge. Due to the inherent nature of metal castings, gloss powdercoats are not offered for cast components. 	<ul style="list-style-type: none"> Meets Association of Pedestrian and Bicycle Professionals (APBP) guidelines. A locking point detail and mounting configurations that meet APBP guidelines can be found on pages 1 and 2 of this document. 	<ul style="list-style-type: none"> Bay City Bike Racks must be surface mounted with embedded anchors. Stainless steel anchors and tamper-resistant stainless steel screws are included. 	<ul style="list-style-type: none"> Metal surfaces can be cleaned as needed using a soft cloth or brush with warm water and a mild detergent. Avoid abrasive cleaners.

INSTALLATION & MAINTENANCE

NOMINAL DIMENSIONS



OVERALL LENGTH	OVERALL DEPTH	OVERALL HEIGHT	WEIGHT
26.5" (673 mm)	4.85" (123 mm)	24.5" (622 mm)	17 lbs (7.7 kg)

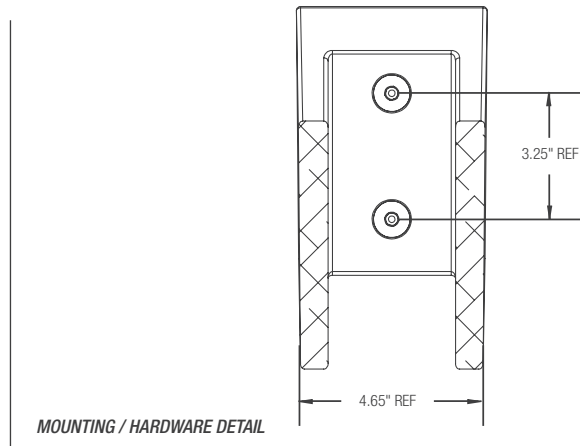
LOCKING POINT AND CONFIGURATION EXAMPLES

The Bay City Bike Rack was designed to allow for a multitude of locking point and configuration options to meet your individual needs. Please note that for optimal performance, Forms+Surfaces recommends a 36" center-to-center placement. See diagrams below and the separate installation instructions document for more details.



A standard U-lock can be locked at this location to meet APBP guidelines for security and functionality.

LOCKING POINT EXAMPLE



MOUNTING / HARDWARE DETAIL

T 800.451.0410 | www.forms-surfaces.com

FORMS+SURFACES®

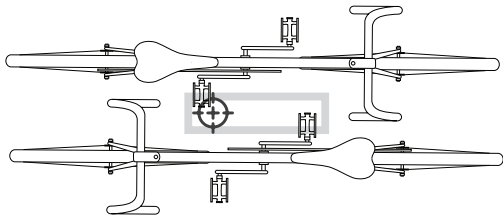
© 2017 Forms+Surfaces® | All dimensions are nominal. Specifications and pricing subject to change without notice. For the most current version of this document, please refer to our website at www.forms-surfaces.com.



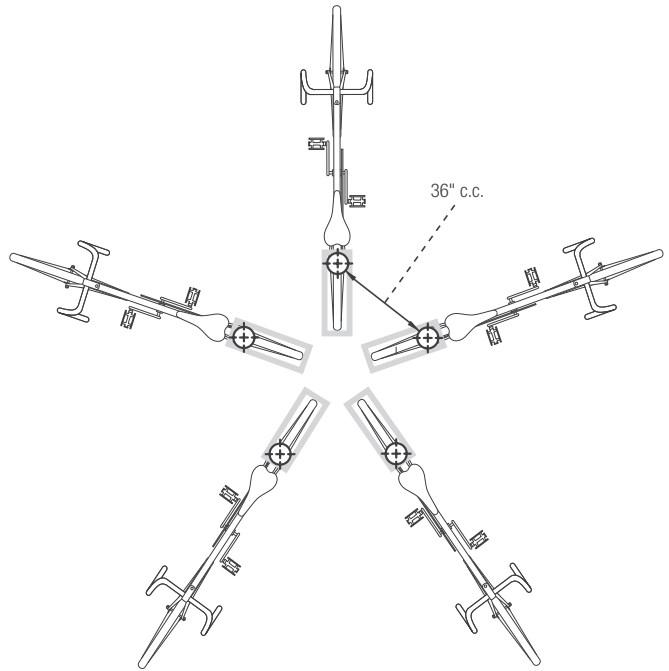
BAY CITY™ BIKE RACK

PRODUCT DATA

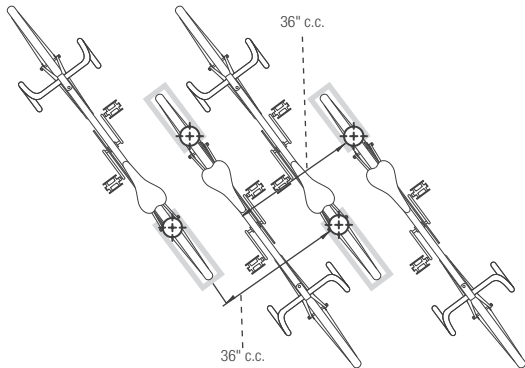
LOCKING POINT AND CONFIGURATION EXAMPLES (Continued)



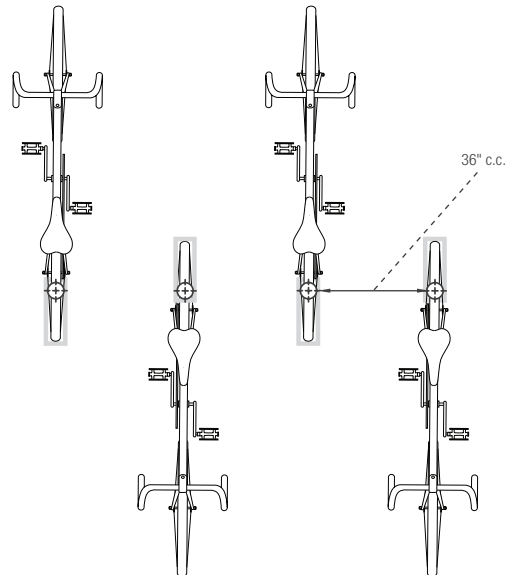
CONFIGURATION EXAMPLE A



CONFIGURATION EXAMPLE B



CONFIGURATION EXAMPLE C



CONFIGURATION EXAMPLE D



BAY CITY™ BIKE RACK

PRODUCT DATA

ENVIRONMENTAL CONSIDERATIONS

- Please refer to the Bay City Bike Rack Environmental Data Sheet for detailed environmental impact information.
- Bay City aluminum casting has up to 95% recycled content and is fully recyclable.
- Standard powdercoat finishes are no-VOC; non-standard powdercoat finishes are no- or low-VOC, depending on color.
- Low maintenance.

MODEL NUMBER AND DESCRIPTION

MODEL	DESCRIPTION
SKBAY	Bay City Bike Rack

PRODUCT OPTIONS

The following options are available for an upcharge

Premium Texture Colors from Forms+Surfaces Powdercoat Chart
Custom RAL powdercoat color

LEAD TIME: 4 weeks. Shorter lead times may be available upon request. Please contact us to discuss your specific timing requirements.

PRICING: Please contact us at **800.451.0410** or **sales@forms-surfaces.com**. At Forms+Surfaces, we design, manufacture and sell our products directly to you. Our sales team is available to assist you with questions about our products, requests for quotes, and orders. Territory Managers are located worldwide to assist with the front-end specification and quoting process, and our in-house Project Sales Coordinators follow your project through from the time you place an order to shipment.

TO ORDER SPECIFY: Quantity, model, powdercoat color for body casting. Quote/Order Forms are available on our website to lead you through the specification process in a simple checkbox format.