



BIKE GARDEN™ BIKE RACK

PRODUCT DATA





BIKE GARDEN™ BIKE RACK

PRODUCT DATA

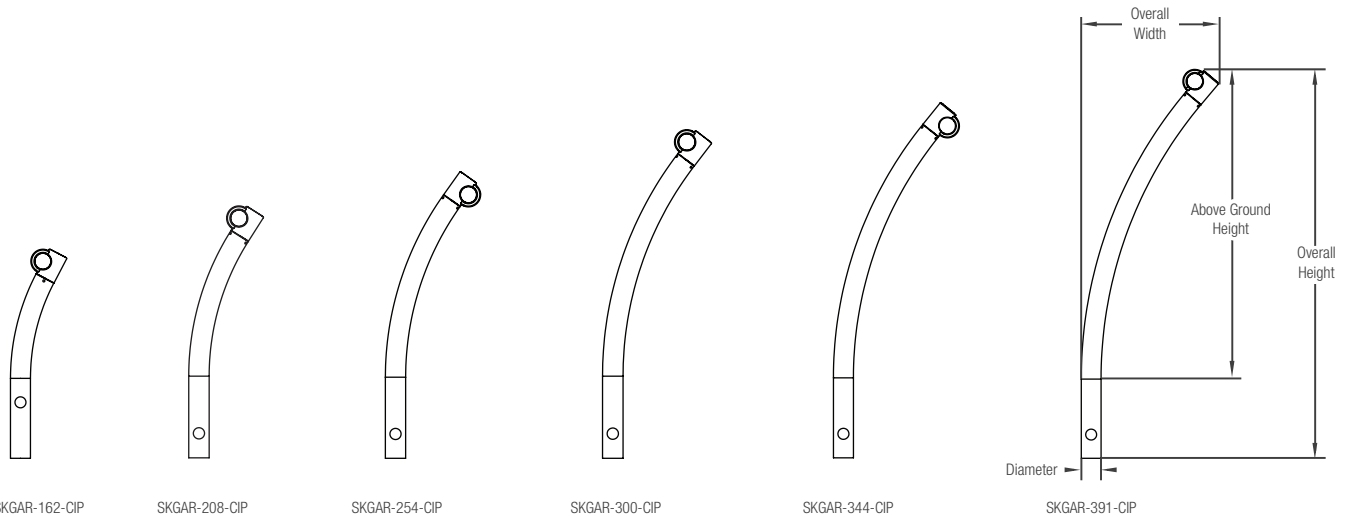
Inspired by organic forms, the **Bike Garden** provides a truly unique solution to the increasing challenges of bike parking and security. Its “stems” can be arranged in a wide variety of configurations to creatively accommodate almost any setting and provide riders with the added assurance of multiple locking points to secure the frame and wheels. Constructed entirely of rugged, corrosion-resistant stainless steel, Bike Garden’s stems can be surface mounted or cast-in-place and may be purchased individually for maximum arrangement flexibility or in pre-configured layouts.

MATERIALS & FINISHES

INSTALLATION & MAINTENANCE

MATERIALS	FINISH	GUIDELINES & SECURITY	INSTALLATION	MAINTENANCE
<ul style="list-style-type: none"> Constructed entirely of corrosion-resistant stainless steel. Head and optional surface mount foot are cast stainless steel; body is stainless steel tubing. 	<ul style="list-style-type: none"> Available in stainless steel with a radial Satin finish or powdercoated. See the Forms+Surfaces Powdercoat Chart for details. Custom RAL colors are available for an upcharge. 	<ul style="list-style-type: none"> Configurations A, B, and C of the Bike Garden Bike Rack meet Association of Pedestrian and Bicycle Professionals (APBP) guidelines. Locking point details and mounting configurations that meet APBP guidelines can be found on pages 2 and 3 of this document. 	<ul style="list-style-type: none"> Bike Garden can be cast-in-place or surface mounted with embedded anchors. Stainless steel anchors and tamper-resistant stainless steel screws are included for surface mount. 	<ul style="list-style-type: none"> Metal surfaces can be cleaned as needed using a soft cloth or brush with warm water and a mild detergent. Avoid abrasive cleaners.

NOMINAL DIMENSIONS (Cast-in-place)



MODEL	ABOVE-GROUND HEIGHT	OVERALL HEIGHT	OVERALL WIDTH	DIAMETER	WEIGHT
SKGAR-162-CIP	16.2" (411 mm)	26.2" (665 mm)	7.1" (180 mm)	2.5" (63.5 mm)	8.6 lbs (3.9 kg)
SKGAR-208-CIP	20.8" (528 mm)	30.8" (782 mm)	9.2" (234 mm)	2.5" (63.5 mm)	9.8 lbs (4.4 kg)
SKGAR-254-CIP	25.3" (643 mm)	35.3" (897 mm)	11.8" (300 mm)	2.5" (63.5 mm)	11.3 lbs (5.1 kg)
SKGAR-300-CIP	29.9" (759 mm)	39.9" (1,013 mm)	13.3" (338 mm)	2.5" (63.5 mm)	12.7 lbs (5.8 kg)
SKGAR-344-CIP	34.4" (874 mm)	44.4" (1,128 mm)	15.8" (401 mm)	2.5" (63.5 mm)	14.1 lbs (6.4 kg)
SKGAR-391-CIP	39.1" (993 mm)	49.1" (1,247 mm)	17.3" (439 mm)	2.5" (63.5 mm)	15.4 lbs (7.0 kg)



BIKE GARDEN™ BIKE RACK

PRODUCT DATA

NOMINAL DIMENSIONS (Surface mount)



SKGAR-162-SM



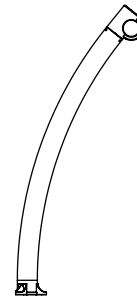
SKGAR-208-SM



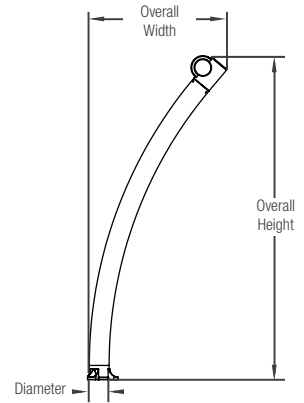
SKGAR-254-SM



SKGAR-300-SM



SKGAR-344-SM

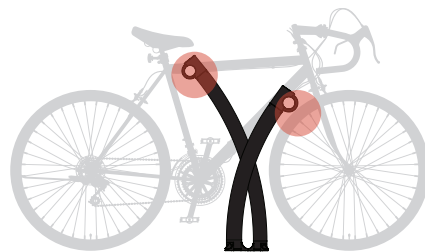


SKGAR-391-SM

MODEL	OVERALL HEIGHT	OVERALL WIDTH	DIAMETER	WEIGHT
SKGAR-162-SM	18.0" (457 mm)	7.1" (180 mm)	2.5" (63.5 mm)	9.1 lbs (4.1 kg)
SKGAR-208-SM	22.6" (574 mm)	9.2" (234 mm)	2.5" (63.5 mm)	10.3 lbs (4.7 kg)
SKGAR-254-SM	27.1" (688 mm)	11.8" (300 mm)	2.5" (63.5 mm)	11.8 lbs (5.4 kg)
SKGAR-300-SM	31.8" (808 mm)	13.3" (338 mm)	2.5" (63.5 mm)	13.2 lbs (6.0 kg)
SKGAR-344-SM	36.1" (917 mm)	15.8" (401 mm)	2.5" (63.5 mm)	14.6 lbs (6.6 kg)
SKGAR-391-SM	40.9" (1,039 mm)	17.3" (439 mm)	2.5" (63.5 mm)	15.9 lbs (7.2 kg)

LOCKING POINT EXAMPLES AND CONFIGURATION OPTIONS

The Bike Garden Bike Rack was designed to allow for a multitude of locking point and configuration options to meet your individual needs. Please note that for optimal performance, Forms+Surfaces recommends a 36" center-to-center placement. See diagrams below, technical drawings, and the separate installation instructions document for more details.



 A standard U-lock can be locked at this location to meet APBP guidelines for security and functionality.

LOCKING POINT EXAMPLES



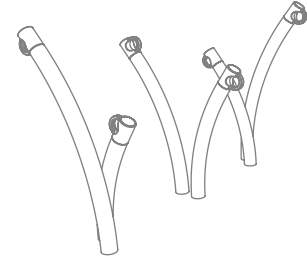
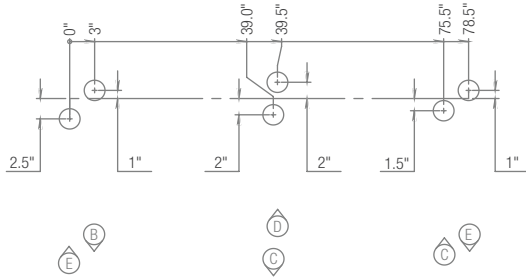
BIKE GARDEN™ BIKE RACK

PRODUCT DATA

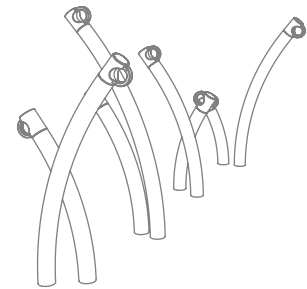
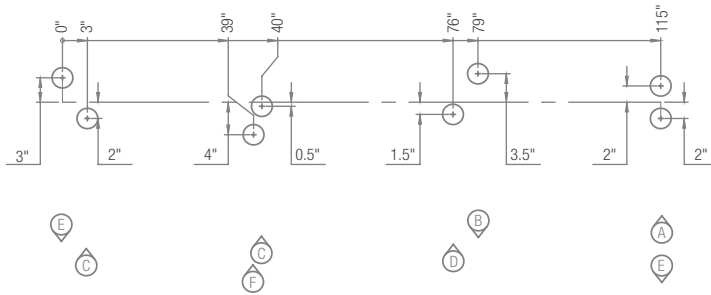
CONFIGURATION OPTIONS

NOTE: Arrows point in the direction of the curve; letters represent the specific models to the right.

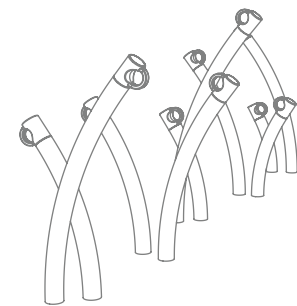
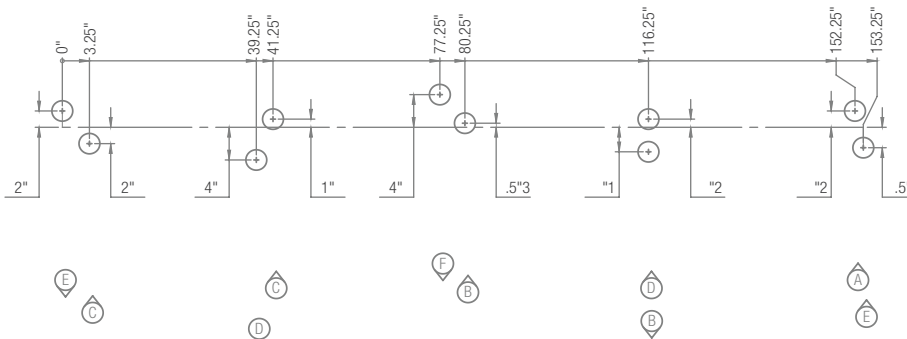
KEY	
A = SKGAR-162	D = SKGAR-300
B = SKGAR-208	E = SKGAR-344
C = SKGAR-254	F = SKGAR-391



CONFIGURATION A



CONFIGURATION B



CONFIGURATION C



BIKE GARDEN™ BIKE RACK

PRODUCT DATA

ENVIRONMENTAL CONSIDERATIONS

- Please refer to the Bike Garden Bike Rack Environmental Data Sheet for detailed environmental impact information.
- Bike Garden metal components are up to 76% recycled content and are fully recyclable.
- Standard powdercoat finishes are no-VOC; non-standard powdercoat finishes are no- or low-VOC, depending on color.
- Low maintenance.

MODEL NUMBERS AND DESCRIPTIONS

MODEL	DESCRIPTION
SKGAR-162-CIP	Bike Garden Bike Rack, cast-in-place, 16.2"
SKGAR-208-CIP	Bike Garden Bike Rack, cast-in-place, 20.8"
SKGAR-254-CIP	Bike Garden Bike Rack, cast-in-place, 25.3"
SKGAR-300-CIP	Bike Garden Bike Rack, cast-in-place, 29.9"
SKGAR-344-CIP	Bike Garden Bike Rack, cast-in-place, 34.4"
SKGAR-391-CIP	Bike Garden Bike Rack, cast-in-place, 39.1"
CONFIGURATION A-CIP	Bike Garden Bike Racks, cast-in-place, (1) 208, (2) 254, (1) 300, (2) 344
CONFIGURATION B-CIP	Bike Garden Bike Racks, cast-in-place, (1) 162, (1) 208, (2) 254, (1) 300, (2) 344, (1) 391
CONFIGURATION C-CIP	Bike Garden Bike Racks, cast-in-place, (1) 162, (2) 208, (2) 254, (2) 300, (2) 344, (1) 391
SKGAR-162-SM	Bike Garden Bike Rack, surface mount, 18.0"
SKGAR-208-SM	Bike Garden Bike Rack, surface mount, 22.6"
SKGAR-254-SM	Bike Garden Bike Rack, surface mount, 27.1"
SKGAR-300-SM	Bike Garden Bike Rack, surface mount, 31.8"
SKGAR-344-SM	Bike Garden Bike Rack, surface mount, 36.1"
SKGAR-391-SM	Bike Garden Bike Rack, surface mount, 40.9"
CONFIGURATION A-SM	Bike Garden Bike Racks, surface mount, (1) 208, (2) 254, (1) 300, (2) 344
CONFIGURATION B-SM	Bike Garden Bike Racks, surface mount, (1) 162, (1) 208, (2) 254, (1) 300, (2) 344, (1) 391
CONFIGURATION C-SM	Bike Garden Bike Racks, surface mount, (1) 162, (2) 208, (2) 254, (2) 300, (2) 344, (1) 391

PRODUCT OPTIONS

The following options are available for an upcharge

Add powdercoat color from F+S Powdercoat Chart
Custom RAL powdercoat color

LEAD TIME: 4 weeks. Shorter lead times may be available upon request. Please contact us to discuss your specific timing requirements.

PRICING: Please contact us at **800.451.0410** or **sales@forms-surfaces.com**. At Forms+Surfaces, we design, manufacture and sell our products directly to you. Our sales team is available to assist you with questions about our products, requests for quotes, and orders. Territory Managers are located worldwide to assist with the front-end specification and quoting process, and our in-house Project Sales Coordinators follow your project through from the time you place an order to shipment.

TO ORDER SPECIFY: Quantity, model or configuration, stainless steel finish or powdercoat color, cast-in-place or surface mount. Quote/Order Forms are available on our website to lead you through the specification process in a simple checkbox format.