



HEATSAIL

EXTEND YOUR GREAT MOMENTS

DISC[®] PT by Piet Boon

TECHNICAL INFORMATION



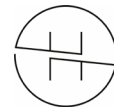
RUSTPROOF &
WEATHERPROOF



LOW ENERGY USAGE
ZERO CO2 EMISSION



MINIMUM OF
MAINTENANCE



HEATSAIL

EXTEND YOUR GREAT MOMENTS

DISC® PT by Piet Boon

FEATURES



MINIMUM OF
MAINTENANCE

By using high efficient and durable ceramic heating elements and the best materials, the DISC PT is virtually maintenance free.



RUSTPROOF &
WEATHERPROOF

The DISC PT is made out of high quality material such as Aluminium and Stainless steel, making it suitable for outdoor use.



PATENTED
DESIGN

The unique patented design makes the DISC PT an absolute eyecatcher, exuding luxury, elegance and exclusivity.



LOW ENERGY USAGE
ZERO CO2 EMISSION

With an energy consumption of only 3.22 kW/h, the DISC PT uses less energy than similar products delivering optimal heating.



Headquarters

Prins Boudewijnlaan 7 Unit A 08
2550 Kontich
Belgium
+ 32 3 502 99 88

North American office

10440 N Central Expressway
Suite 800, Dallas, Texas 75231
United States
+ 1 (214) 808 5091

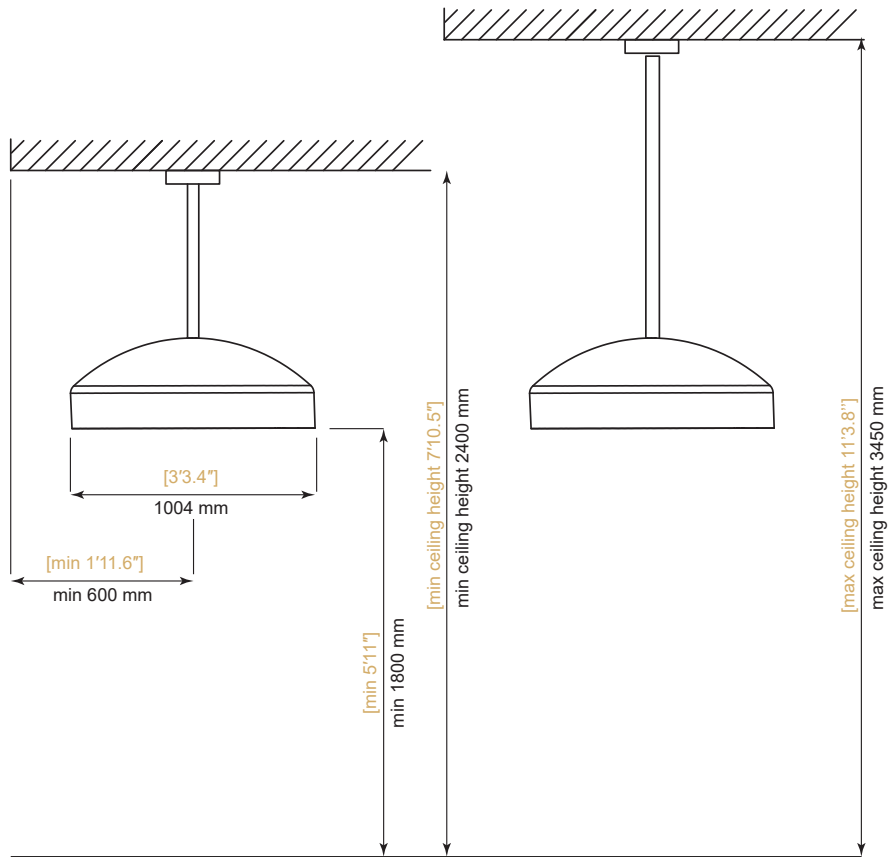
W: www.heatsail.com

E: sales@heatsail.com



DISC® PT by Piet Boon

DIMENSIONS



SPECIFICATIONS

| | |
|---------------------------------------|--|
| Model | DISC PT |
| Heat output (W) | 3100 W |
| Light Output (W) | 120 W |
| Electrical connection | 220-240V AC - 60Hz 14 A |
| Dimensions (W) | 1004 mm - [3'3.4"] |
| Mounting height requirement to ground | min 1800 mm; max 1950 mm - [min 5'11"; max 6'4.8"] |
| Ceiling height | min 2420 mm; max 3770 mm - [min. 7'11.3"; max. 12'4.4"] |
| Weight | approx. 17 kg - [37 lbs] |
| Approvals | UL 60335-1, CAN/CSA-C22.2 No. 60335-1:16, CAN/CSA-E60335-2-30:13, IEC 60335-2-30, CE |



Headquarters
Prins Boudewijnlaan 7 Unit A 08
2550 Kontich
Belgium
+ 32 3 502 99 88

North American office
10440 N Central Expressway
Suite 800, Dallas, Texas 75231
United States
+ 1 (214) 808 5091

W: www.heatsail.com
E: sales@heatsail.com

DISC® PT by Piet Boon

ELECTRICAL SAFETY REQUIREMENTS

The use of the DISC PT requires an electrical installation with reliable safety grounding.

The installation's electrical safety can only be guaranteed if the device has been correctly connected to an earthing system built in accordance with the safety instructions. A preliminary inspection is absolutely essential. In the event of any uncertainty, a careful inspection must be made by a qualified and authorised technician. Heatsail will not be held responsible for injury and/or damage resulting from an ungrounded installation.

The installation of the DISC's PT electrical components requires a mains connection of 220-240V AC-60 Hz (16Amp fuse EN 30 mA RCD): the connection must be properly implemented in accordance with the applicable IEC-CEI standards. Please note: statutory and other regulation may apply locally.

This product must be installed by a Qualified Electrician and the power supply connection should be in accordance with the requirements of NFPA 70 and OSHA Regulations 29 CFR 1910.304(b)(2).

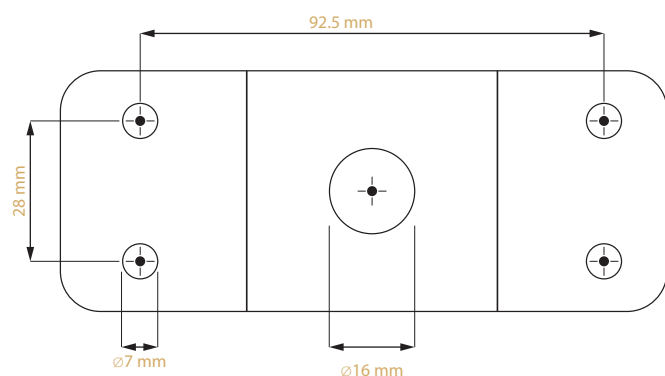
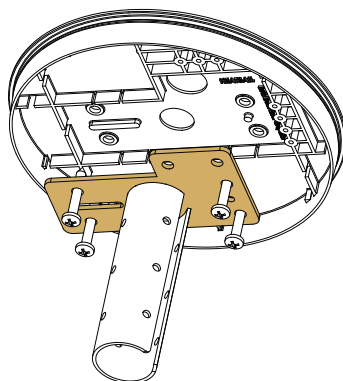
The electrical power supply will need to be interrupted before connecting and/or other work on the electrical components can be carried out. Everyone must satisfy themselves that the power can't be switched on again accidentally. The use of adapters, power strips and extension leads may not be used for the DISC's PT electrical supply. A switch must be installed between the DISC PT and the fuse box at all times.

Non-compliance with these instructions may compromise the safety of the device. Heatsail will not be held liable for any damage resulting from this.

NOTE: The DISC PT will be delivered with a supply cord bold wall plug.

CONSTRUCTING OVERVIEW

The DISC PT is mounted on the ceiling by means of a stainless steel bracket. This bracket should be hung by using the correct plugs and screws according to the mounting surface. The diameter of the ceiling rose is 7.87 inch (200mm).



Headquarters
Prins Boudewijnlaan 7 Unit A 08
2550 Kontich
Belgium
+ 32 3 502 99 88

North American office
10440 N Central Expressway
Suite 800, Dallas, Texas 75231
United States
+ 1 (214) 808 5091

W: www.heatsail.com
E: sales@heatsail.com

DISC® PT by Piet Boon

ELECTRICAL OVERVIEW

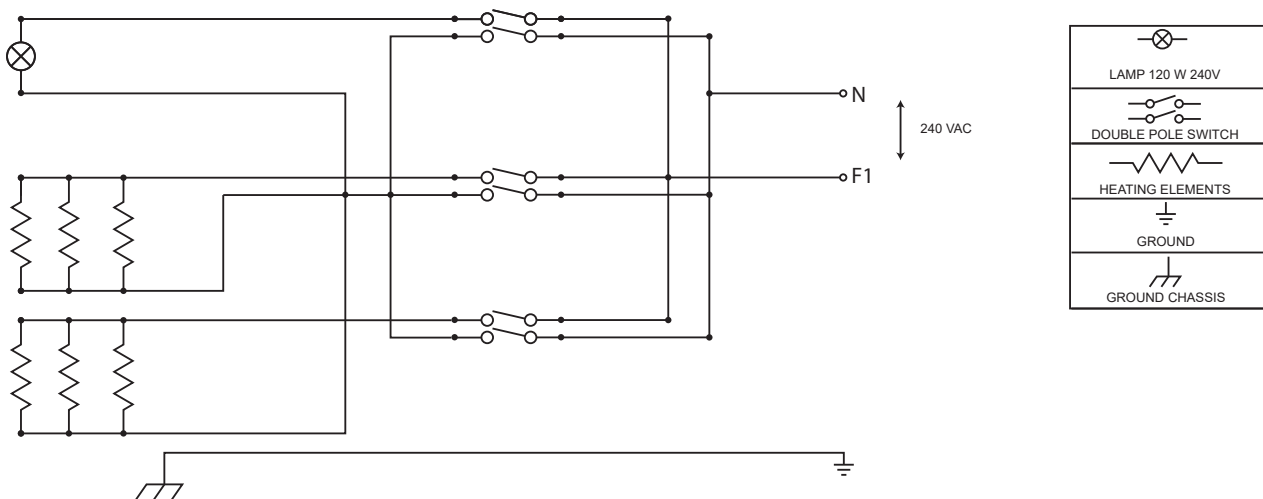
The DISC PT consists of a central heater element with a light and a hood, the 'DISC' which serves as protection and reflection of the far infrared rays. The central element is called 'heattube'. On the lower part you will find a 'heater block' with 5 rectangular and 1 round heater element. Above the heater element there is a halogen light, separated from the heater element. The light consists of a R7S 78 mm halogen bulb, at 220-240V AC, behind a heat resistant glass. The glass can be pulled downwards (see user manual) to be able to change the halogen bulb. Because of the high heat a LED lamp is not possible, as LED can not withstand these high temperatures.

There are three electrical circuits in the DISC PT. These circuits have a total of 14 Amps at 220-240V AC.

- Circuit 1: Heating circuit 1 consists of four rectangular heater elements and has a total heat output of 1500 W at 220-240V AC
- Circuit 2: Heating circuit 2 consists of the lower round heating element and two opposite rectangular heater elements and has a total power of 1600 W at 220-240V AC.
- Circuit 3: Lighting circuit consists of a R7S bulb of 120 W at 220-240V AC

WALL SWITCHES

The incoming power is divided over the 3 circuits through 3 wall switches installed by a qualified electrician. The output lines of the wall switches will consist of 5 lines in a size not less than 1.5 mm² / 16 AWG according to the following indicative drawing:



To connect the DISC PT to the main power, a 3 pole connection is required consisting of 2 hot wires (with an output of 220-240V AC 60 Hz) and 1 grounding wire in a size not less than 1.5 mm² / 16 AWG. For safety reasons 2.5 mm² / 14 AWG is recommended.



Headquarters
Prins Boudewijnlaan 7 Unit A 08
2550 Kontich
Belgium
+ 32 3 502 99 88

North American office
10440 N Central Expressway
Suite 800, Dallas, Texas 75231
United States
+ 1 (214) 808 5091

W: www.heatsail.com
E: sales@heatsail.com