

PLATEAU EXVAPLAT/MESX

DESIGN BY

Sebastian Herkner

DESCRIPTION

Bathtub with left shelf
Useful info:
Swivel sifon fixing with nut 1 1/2
connection with nut
Ø 40 mm. Pop up waste for bathtub
1 1/2 with free flow
plug up&down Ø 72 mm



MODULE DIMENSION

160 x 75.5 x h 55 cm
bathtub weight: 110 Kg
shelf weight: 4 Kg
capacity: 225 Lt

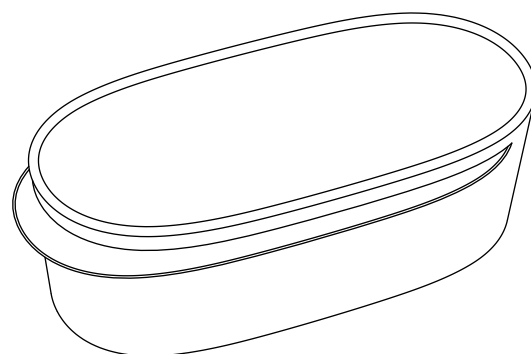
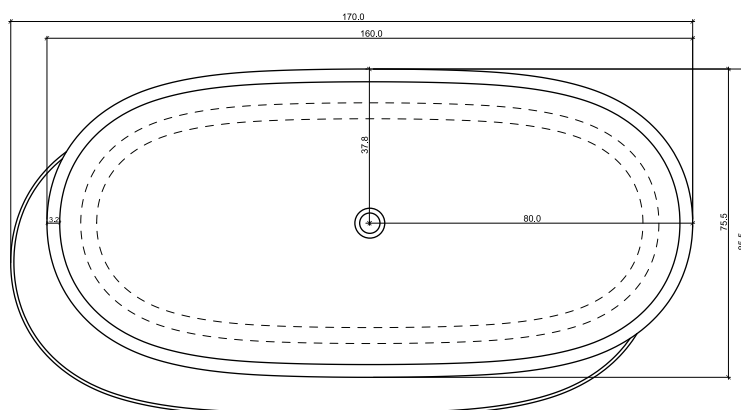
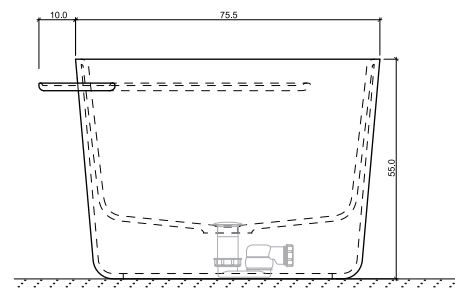
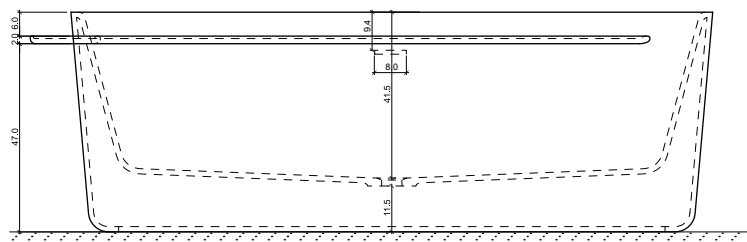
MATERIAL

LivingTec®

COLORS

○ White

TOLERANCE +/- 0.5 %



PLATEAU EXVAPLAT/MEDX

DESIGN BY

Sebastian Herkner

DESCRIPTION

Bathtub with right shelf
Useful info:
Swivel sifon fixing with nut 1 1/2
connection with nut
Ø 40 mm. Pop up waste for bathtub
1 1/2 with free flow
plug up&down Ø 72 mm



MODULE DIMENSION

160 x 75.5 x 55 cm
bathtub weight: 110 Kg
shelf weight: 4 Kg
capacity: 225 Lt

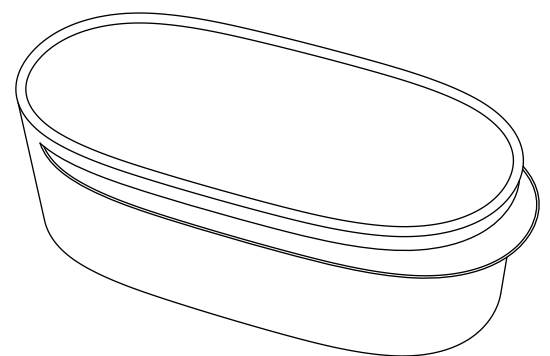
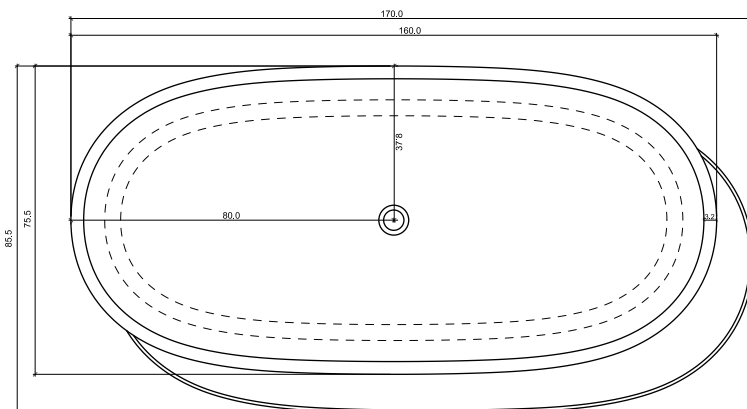
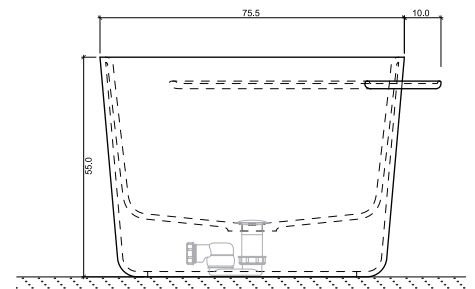
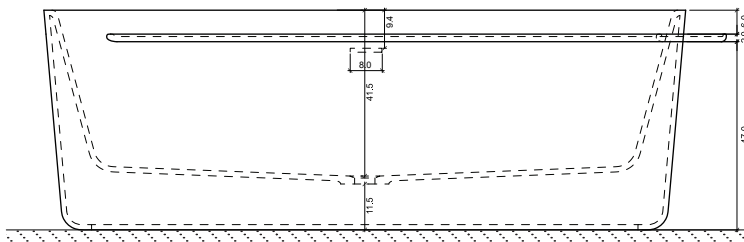
MATERIAL

LivingTec®

COLORS

White

TOLERANCE +/- 0.5 %



PLATEAU EXVAPLAT

DESIGN BY

Sebastian Herkner

DESCRIPTION

Bathtub without shelf
Useful info:
Swivel sifon fixing with nut 1"1/2
connection with nut
Ø 40 mm. Pop up waste for bathtub
1"1/2 with free flow
plug up&down Ø 72 mm

MODULE DIMENSION

160 x 75.5 x h 55 cm
bathtub weight: 110 Kg
capacity: 225 Lt

MATERIAL

LivingTec®

COLORS

○ White

TOLERANCE +/- 0.5 %

