


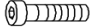

C	Ø8		8
B	M8x60		8
A	5MM		1
NO.	SIZE	DIAGRAM	QTY

FIG.  
1

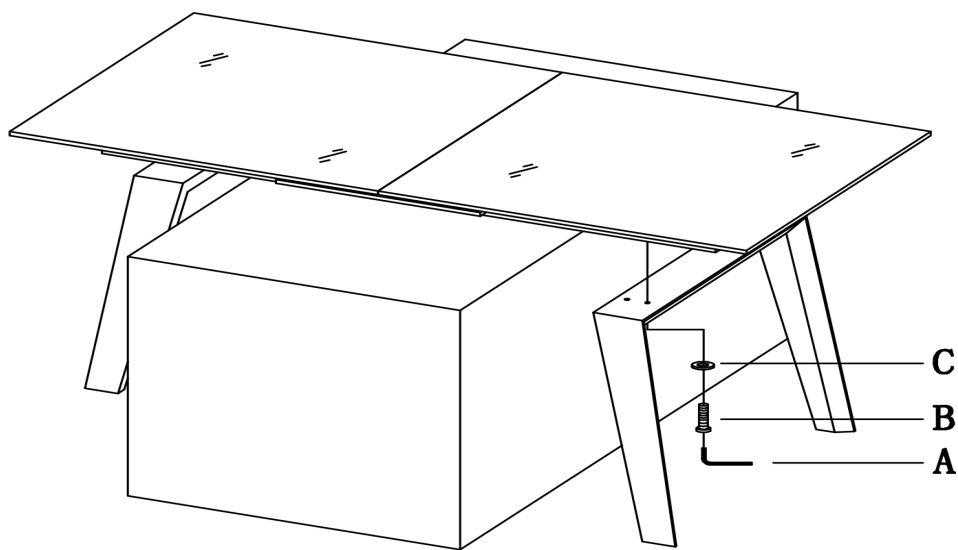
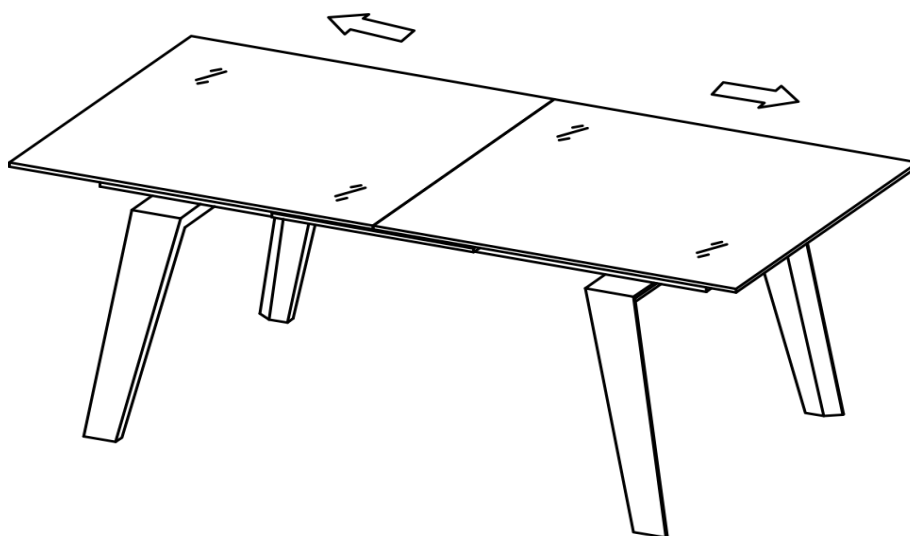
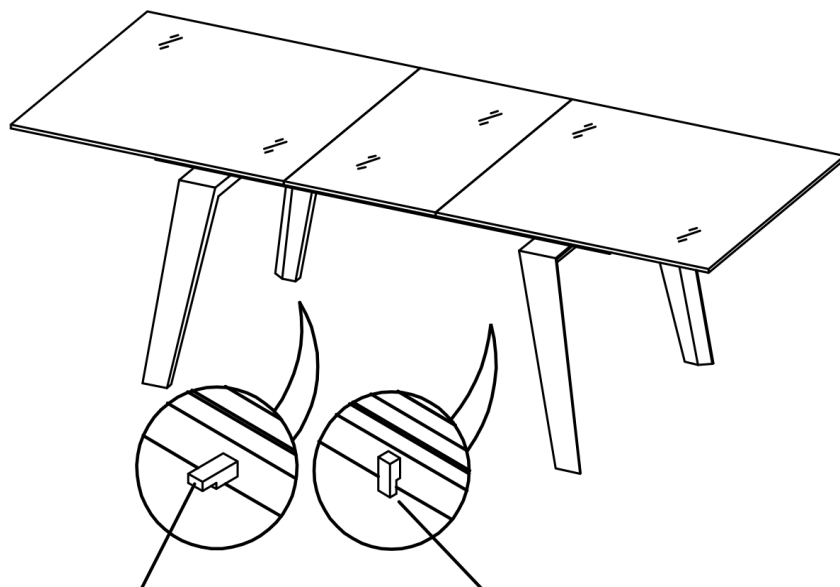


FIG.  
2



**Tip: pull the side glass until the extension part pops up completely.**

**FIG.**  
**3**



**Please open this lock if you want to open  
or close the table top.**

**Please keep this lock closed if  
you want to fix the table.**