



CAPITOL™ BIKE RACK

PRODUCT DATA





CAPITOL™ BIKE RACK

PRODUCT DATA

The **Capitol Bike Rack's** solid, corrosion-resistant cast aluminum body provides the strength necessary to stand up to continuous use while its simple, space-saving design allows it to engage with its surrounding environment as much or as little as desired. With a design perfect for cityscapes and other contemporary architectural settings, the Capitol Bike Rack is a solution for environments of all types.

MATERIAL & FINISHES

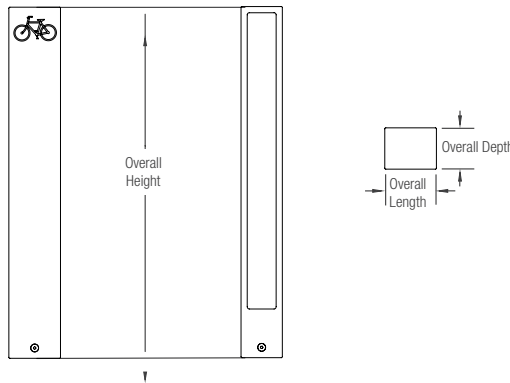
MATERIAL	FINISHES
<ul style="list-style-type: none"> Body is made of corrosion-resistant cast aluminum with powdercoat finish. 	<ul style="list-style-type: none"> See the Forms+Surfaces Powdercoat Chart for details. Custom RAL colors are available for an upcharge. Due to the inherent nature of metal castings, gloss powdercoats are not offered for cast components.

GUIDELINES & SECURITY
<ul style="list-style-type: none"> Meets Association of Pedestrian and Bicycle Professionals (APBP) guidelines. A locking point detail and mounting configurations that meet APBP guidelines can be found on page 1 and 2 of this document.

INSTALLATION & MAINTENANCE

INSTALLATION	MAINTENANCE
<ul style="list-style-type: none"> Capitol Bike Racks must be surface mounted with embedded anchors. Stainless steel anchors and tamper-resistant stainless steel screws are included. 	<ul style="list-style-type: none"> Metal surfaces can be cleaned as needed using a soft cloth or brush with warm water and a mild detergent. Avoid abrasive cleaners.

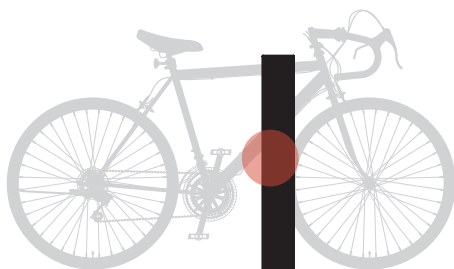
NOMINAL DIMENSIONS




OVERALL LENGTH	OVERALL DEPTH	OVERALL HEIGHT	WEIGHT
5" (127 mm)	4" (102 mm)	34" (864 mm)	25 lbs (11.4 kg)

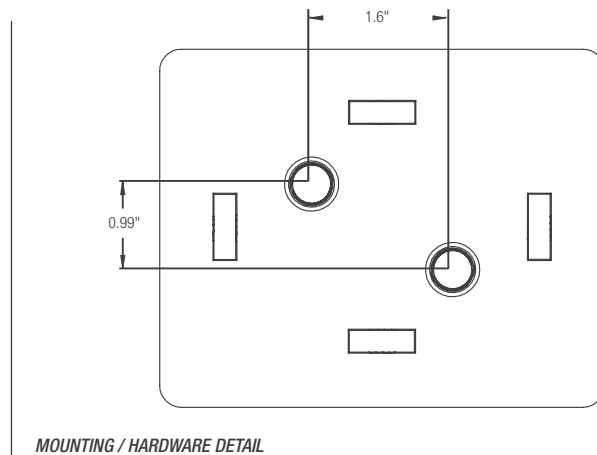
LOCKING POINT AND CONFIGURATION EXAMPLES

The Capitol Bike Rack was designed to allow for a multitude of locking point and configuration options to meet your individual needs. Please note that for optimal performance, Forms+Surfaces recommends a 36" center-to-center placement. See diagrams below and the separate installation instructions document for more details.



 A standard U-lock can be locked at this location for security and functionality.

LOCKING POINT EXAMPLE



MOUNTING / HARDWARE DETAIL

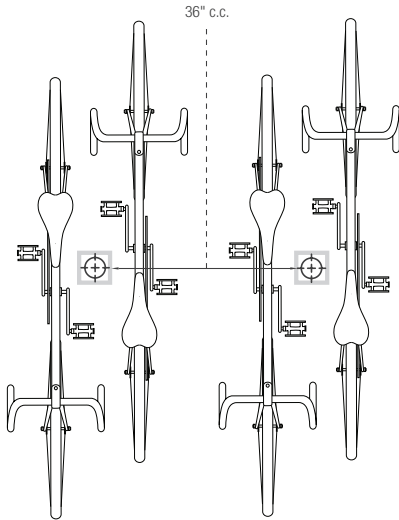
T 800.451.0410 | www.forms-surfaces.com

FORMS+SURFACES®

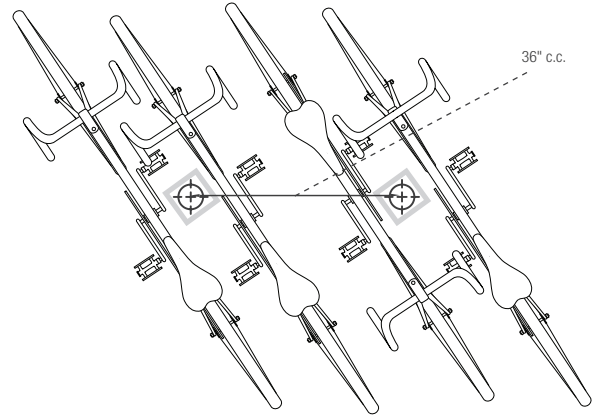
© 2019 Forms+Surfaces® | All dimensions are nominal. Specifications and pricing subject to change without notice. For the most current version of this document, please refer to our website at www.forms-surfaces.com.



LOCKING POINT AND CONFIGURATION EXAMPLES (Continued)



CONFIGURATION EXAMPLE A



CONFIGURATION EXAMPLE B

ENVIRONMENTAL CONSIDERATIONS

- Please refer to the Capitol Bike Rack Environmental Data Sheet for detailed environmental impact information.
- Capitol aluminum casting has up to 95% recycled content and is fully recyclable.
- Standard powdercoat finishes are no-VOC; non-standard powdercoat finishes are no- or low-VOC, depending on color.
- Low maintenance.

MODEL NUMBER AND DESCRIPTION

MODEL	DESCRIPTION
SKCAP	Capitol Bike Rack

PRODUCT OPTIONS

The following options are available for an upcharge

Premium Texture Colors from Forms+Surfaces Powdercoat Chart
Custom RAL powdercoat color

LEAD TIME: 4 weeks. Shorter lead times may be available upon request. Please contact us to discuss your specific timing requirements.

PRICING: Please contact us at **800.451.0410** or **sales@forms-surfaces.com**. At Forms+Surfaces, we design, manufacture and sell our products directly to you. Our sales team is available to assist you with questions about our products, requests for quotes, and orders. Territory Managers are located worldwide to assist with the front-end specification and quoting process, and our in-house Project Sales Coordinators follow your project through from the time you place an order to shipment.

TO ORDER SPECIFY: Quantity, model, powdercoat color for body casting. Quote/Order Forms are available on our website to lead you through the specification process in a simple checkbox format.

T 800.451.0410 | www.forms-surfaces.com

FORMS+SURFACES®