

Sink KE - R15 2206 850

Sinks

Code: 2206 850



DETAILS

Finish Foster brushed

Material AISI 304 stainless steel

Texture Foster brushed

Base 90 cm

Edge/Installation Type Undermount

Dimensions 820x450 mm

Standard fittings Fixing hooks, gasket, drain, overflow and siphon, boxed packing

Mixer holes No standard holes

Built-in hole View technical data sheet (for all Flush-mount / Top-mount models and Under-mount models)

Drainer No

Width 82 cm

Bowl dimension 400x400 + 340x400mm

Number of bowls 2 bowls

Waste fitting 3,5" drain

FEATURES

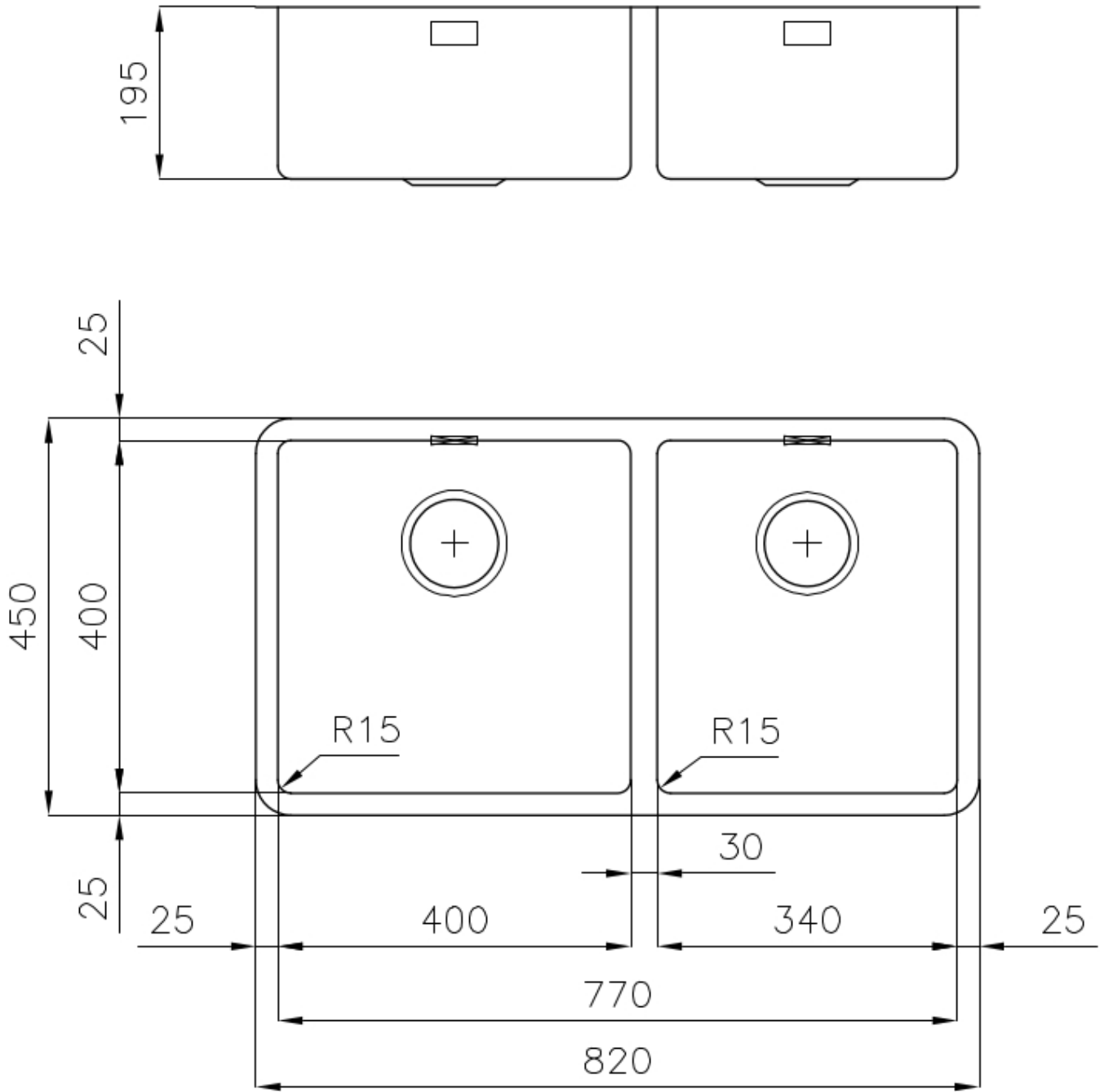
Basket 3,5" waste fitting The drain is equipped with a large 3.5" drain, with the practical basket cap that prevents the discharge of solid parts. The 3.5 "drain allows the use of the Foster waste-disposer, compatible with all models.

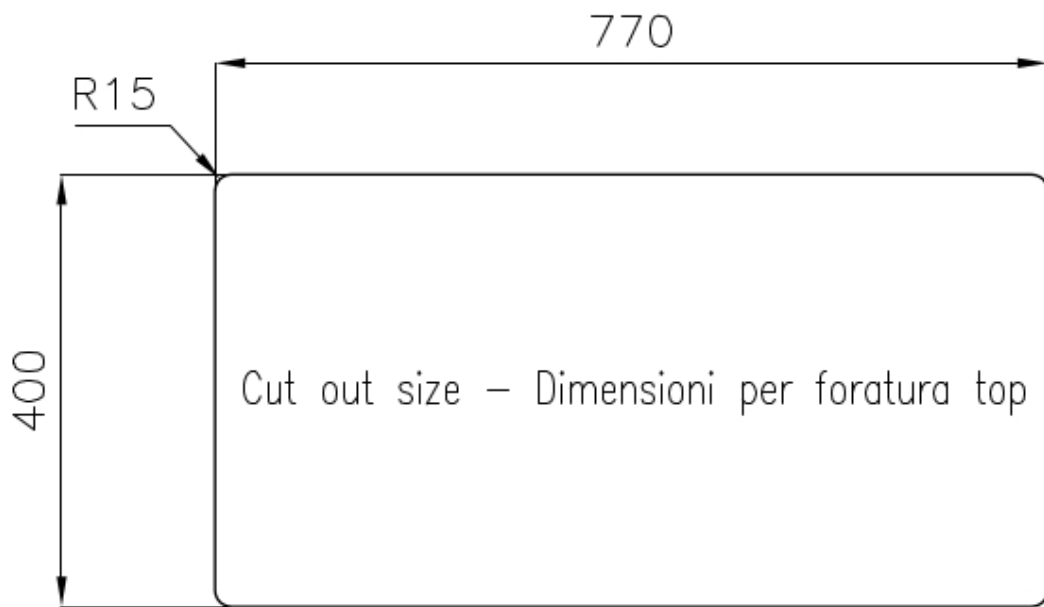
High thickness 1mm thick steel. A significant thickness, which guarantees the maximum sturdiness and durability.

Perimetral overflow The overflow is always a security on the Foster sinks that prevents the overflow of water in case of oversights. The perimeter drain solution improves aesthetics thanks to its square and essential shape.

Small radius Bowls with squared shapes with a modern design and an increased capacity, for a minimal aesthetics connected with an extreme practicality.

TECHNICAL DATA





OPTIONAL ACCESSORIES



Cestello inox 8612 000



HPDE Chopping board 8657 001



HPDE Twin chopping board 8644 101



Iroko-wood chopping board with stainless steel colander 8644 042



Iroko-wood sliding chopping board 8644 041



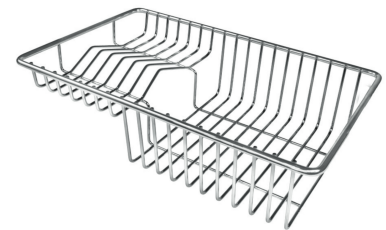
Iroko-wood twin chopping board 8644 004



Stainless steel colander 8154 000



Stainless steel plate rack 8100 154



Stainless steel plate rack 8100 303



White basket 8612 100



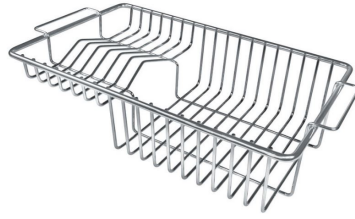
White bowl 8153 100



Graters kit with ring-holder and food collection tray 8159 101



Stainless steel perforated tray
8151 000



Stainless steel plate rack 8100 201

WARNING:

The accessories 8159101, 8100303,8151000 are only usable in combination with 8644101

The accessories 8100154, 8154000 are only usable in combination with 8644004

RECOMMENDED PAIRINGS



Mixer Tap Camillo 8467 000



Mixer Tap Lorenzo 8466 000

OPTIONAL AUTOMATIC WASTE FITTINGS



Automatic waste fitting 8407 113



Space automatic waste fitting
8407 108



Space automatic waste fitting
8407 109



Space Light automatic waste
fitting 8407 117



Space Milano automatic waste
fitting 8407 115



Space Push automatic waste
fitting 8407 116