



**TWIST™ BIKE RACK**

PRODUCT DATA





# TWIST™ BIKE RACK

PRODUCT DATA

The **Twist Bike Rack** is a fun design that plays on the shape of a double helix and echoes curves found in nature. Formed of a single aluminum casting that minimizes visible fasteners, Twist comes in numerous powdercoat colors to match branding, wayfinding, and other design themes. A secure choice for spaces of all kinds, Twist supports most bikes in two places, works with standard U-locks, and complies with APBP Guidelines.

## MATERIALS & FINISHES

MATERIALS
<ul style="list-style-type: none"> <li>• Body is made of corrosion-resistant cast aluminum with powdercoat finish.</li> <li>• Cover plate, concealing the mounting hardware, is made from cast aluminum and is powdercoated to match the body.</li> </ul>

FINISHES
<ul style="list-style-type: none"> <li>• See the Forms+Surfaces Powdercoat Chart for details. Custom RAL colors are available for an upcharge.</li> <li>• Due to the inherent nature of metal castings, gloss powdercoats are not offered for cast components.</li> </ul>

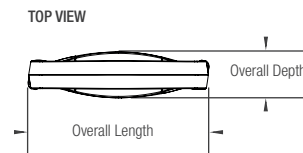
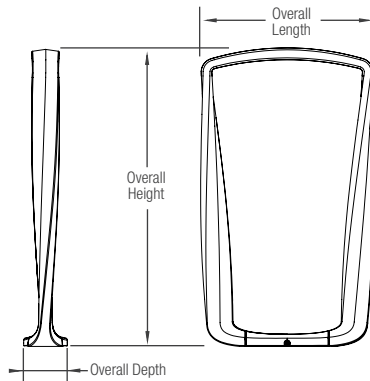
## INSTALLATION & MAINTENANCE

GUIDELINES & SECURITY
<ul style="list-style-type: none"> <li>• Meets Association of Pedestrian and Bicycle Professionals (APBP) guidelines.</li> <li>• A locking point detail and mounting configurations that meet APBP guidelines can be found on pages 1 and 2 of this document.</li> </ul>

INSTALLATION
<ul style="list-style-type: none"> <li>• Twist Bike Racks must be surface mounted with embedded anchors. Stainless steel anchors and tamper-resistant stainless steel screws are included.</li> </ul>

MAINTENANCE
<ul style="list-style-type: none"> <li>• Metal surfaces can be cleaned as needed using a soft cloth or brush with warm water and a mild detergent. Avoid abrasive cleaners.</li> </ul>

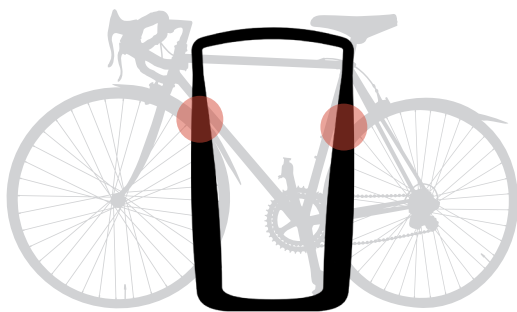
## NOMINAL DIMENSIONS



OVERALL LENGTH	OVERALL DEPTH	OVERALL HEIGHT	WEIGHT
19.5" (495 mm)	5" (127 mm)	34" (864 mm)	34 lbs (15 kg)

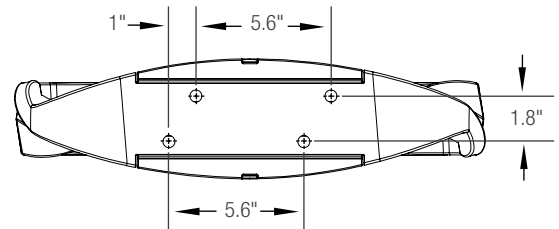
## LOCKING POINT AND CONFIGURATION EXAMPLES

The Twist Bike Rack was designed to allow for a multitude of locking point and configuration options to meet your individual needs. Please note that for optimal performance, Forms+Surfaces recommends a 36" center-to-center placement. See diagrams below and the separate installation instructions document for more details.



● A standard U-lock can be locked at this location to meet APBP guidelines for security and functionality.

LOCKING POINT EXAMPLE



MOUNTING / HARDWARE DETAIL

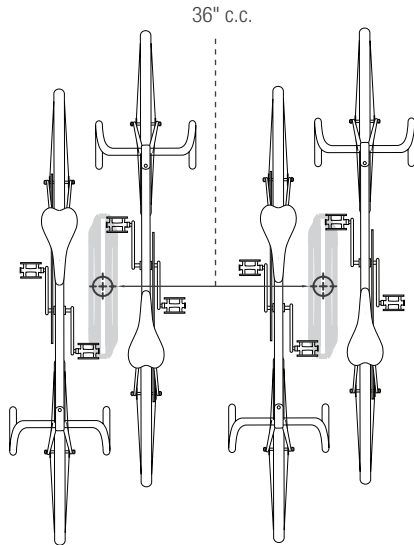
T 800.451.0410 | [www.forms-surfaces.com](http://www.forms-surfaces.com)

**FORMS+SURFACES®**

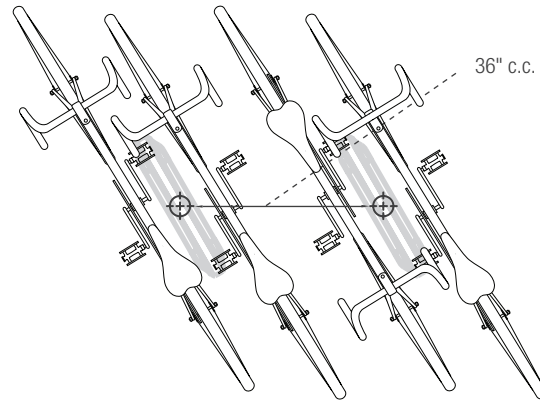
© 2017 Forms+Surfaces® | All dimensions are nominal. Specifications and pricing subject to change without notice. For the most current version of this document, please refer to our website at [www.forms-surfaces.com](http://www.forms-surfaces.com).



**LOCKING POINT AND CONFIGURATION EXAMPLES (Continued)**



*CONFIGURATION EXAMPLE A*



*CONFIGURATION EXAMPLE B*

**ENVIRONMENTAL CONSIDERATIONS**

- Please refer to the Twist Bike Rack Environmental Data Sheet for detailed environmental impact information.
- Metal components have a long life cycle and are 100% recyclable.
- Standard powdercoat finishes are no-VOC; non-standard powdercoat finishes are no- or low-VOC, depending on color.
- Low maintenance.

**MODEL NUMBER AND DESCRIPTION**

MODEL	DESCRIPTION
SKTWS	Twist Bike Rack

**PRODUCT OPTIONS**

The following options are available for an upcharge

Premium Texture Colors from Forms+Surfaces Powdercoat Chart
Custom RAL powdercoat color

**LEAD TIME:** 4 weeks. Shorter lead times may be available upon request. Please contact us to discuss your specific timing requirements.

**PRICING:** Please contact us at **800.451.0410** or **sales@forms-surfaces.com**. At Forms+Surfaces, we design, manufacture and sell our products directly to you. Our sales team is available to assist you with questions about our products, requests for quotes, and orders. Territory Managers are located worldwide to assist with the front-end specification and quoting process, and our in-house Project Sales Coordinators follow your project through from the time you place an order to shipment.

**TO ORDER SPECIFY:** Quantity, model, powdercoat color for body casting. Quote/Order Forms are available on our website to lead you through the specification process in a simple checkbox format.