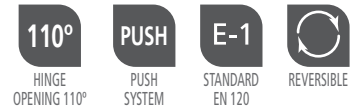


ALLIANCE - Módulos - 250x400, 250x800, 400x400, 400x800

Materials

- **Front and side Panels (Thickness = 16mm):**
 - Gloss White, Gloss Grey, Gloss Taupe: Laminated particle board lacquered with UV High Gloss polyester paint.
 - Natural, Bay Pine, Sbiancato, Alsacia: Laminated particle board.
- **Internal Structure panels (Thickness = 16mm):** Laminated particle board on exclusive design Carbon TX
- * All panels used in the manufacture of this unit are classed as E-1 grade with low level of formaldehyde content.
- * Trim varies according to design: PVC, ABS. (edged with PUR glue)



Examples of integration with the Alliance modules

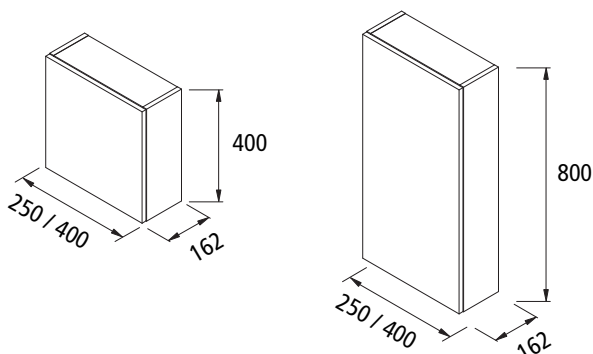
Metal Fittings

- **Colgadores:** high resistance wall brackets with two independent regulations. Certificate according to DIN 68840 (equivalent to 260kg of final load per set).
- **Glass shelves (thickness = 5mm):** height-adjustable
 - 250x400, 400x400 = 1 unit
 - 250x800, 400x800 = 2 units
- **Doors:** Doors opening system PUSH

Packaging Dimensions and weight (mm).

| | Width 250 | | Width 400 | |
|-----------------|------------|------------|------------|------------|
| | Height 400 | Height 800 | Height 400 | Height 800 |
| Lenght mm. | 295 | | 455 | |
| Depth mm. | 220 | | 220 | |
| Height mm. | 445 | 845 | 445 | 845 |
| Net weight Kg. | 3,2 | 7,1 | 5,3 | 9,1 |
| Gross weight Kg | 4,1 | 8,1 | 6 | 10,2 |

Dimensional sketch



Example of composition with the rest of the Alliance modules

Vanity finishes



Interior finishes

