

Features

- 6 hydromassage jets can be individually adjusted for water flow and direction.
- Variable-speed pump for adjusting massage intensity.
- 8 effervescence ports deliver gentle, caressing bubbles.
- 10 backjets target the lower back and shoulders to relieve tension and encourage deep breathing.
- Adjustable neckjet pillow with 2 jets provides a stimulating, stress-relieving neck massage.
- Chromatherapy lighting allows you to select a preferred color scheme to suit your mood.
- Built-in heater.
- Electronic keypad.
- Remote control.
- Generous 6-foot oval shape provides an incredibly spacious bathing area.
- Overflow channel for deep soak.

Material

- Acrylic.

Hydrotherapy

- Whirlpool.
- Effervescence.
- Backjets.
- Neckjets.
- Chromatherapy.

Installation

- Drop-in or undermount.

Required Products/Accessories

K-7273 Bath Drain

Recommended Products/Accessories

K-1601 Bath/Whirlpool Footstop
K-24916 Wireless Music Kit
K-589 Under-Mount Installation Kit
K-923 Wall- Or -Ceiling-Mount Bath Filler
K-1491 Bath/Whirlpool Pillow
K-1703 Whirlpool Remote Control
K-9497 2-1/2" Keypad Trim
K-9498 3" Keypad Trim
K-9696 Whirlpool 6-Jet Trim Kit
K-T398-4 bath faucet trim, valves required
K-23726 Drain treatment
K-23732 Tub & shower cleaner



Codes/Standards

ASME A112.19.7/CSA B45.10
CSA B45.5/IAPMO Z124
ASTM E162
ASTM E662
UL 1795
CSA C22.2 No. 218.2



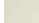
**KOHLER® Plastic Baths and Receptors
Lifetime Limited Warranty
KOHLER® Hydrotherapy Components
Five-Year Limited Warranty**

See website for detailed warranty information.

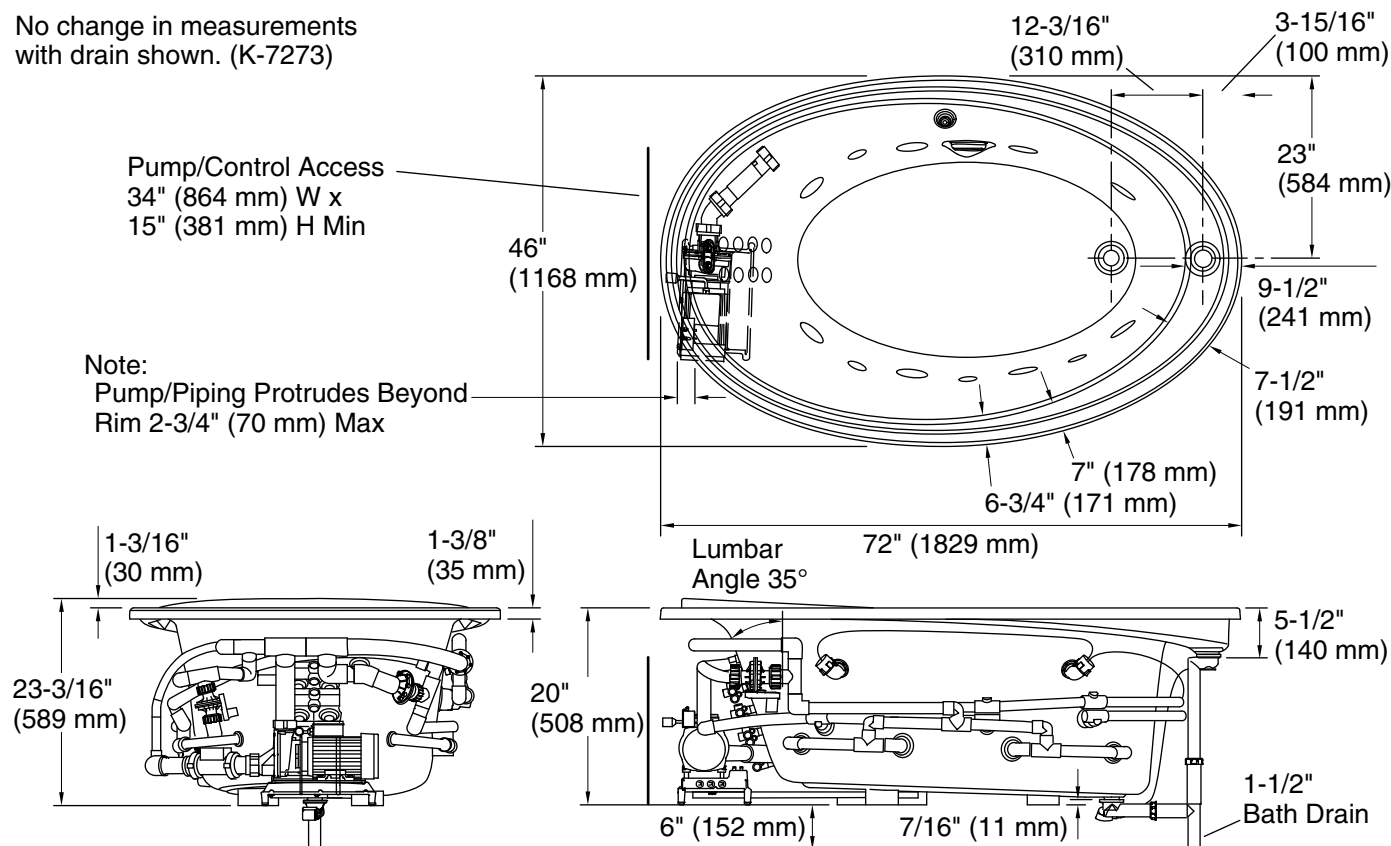
Available Colors/Finishes

Color tiles intended for reference only.

Color Code Description

	0	White
	96	Biscuit
	47	Almond

No change in measurements with drain shown. (K-7273)



Required Electrical Service

One dedicated circuit required, protected with Class A Ground-Fault Circuit-Interrupter (GFCI). Outside North America, this device may be known as a Residual Current Device (RCD).

Pump, Heater: 220-240 V, 20 A, 50/60 Hz

Technical Information

All product dimensions are nominal.

Installation:	Drop-in, Under-mount
Drain location:	End
Basin area, bottom:	43" x 26-1/2" (1092 mm x 673 mm)
Basin area, top:	55" x 36" (1397 mm x 914 mm)
Weight:	160 lbs (72.6 kg)
Minimum floor load:	43 lbs/ft ² (209.9 kg/m ²)
Water depth:	19-1/4" (489 mm)
Water capacity:	96 gal (363.4 L)
Template:	Drop-in, 1016369-7, required, included
Electrical component rating:	Pump: 240 V, 11 A, 50/60 Hz Heater: 220-240 V, 6.25 A, 50/60 Hz, 1500 W
Pump speed:	Variable

Notes

Measure your actual product for rough-in details. Install this product according to the installation instructions.

The hot water supply should be 70% of the capacity of the bath or greater. Installations will vary.

Kit is required for under-mount installations (sold separately).

Pump/piping protrudes beyond rim (see drawing).