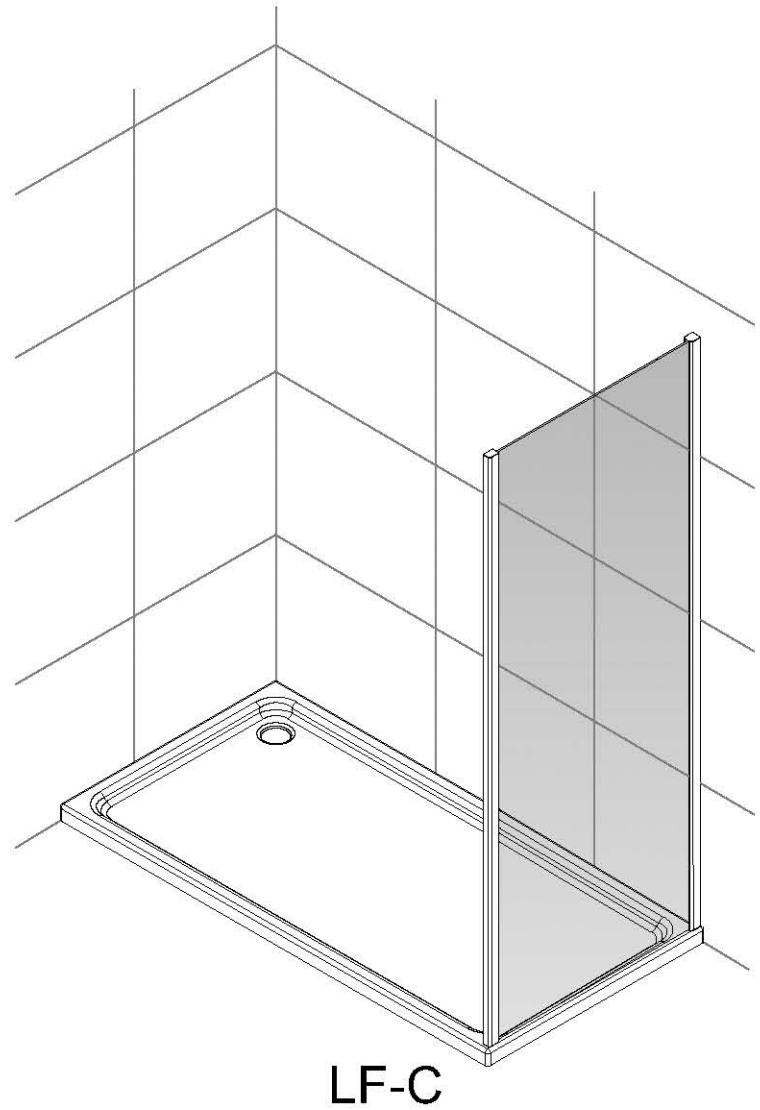
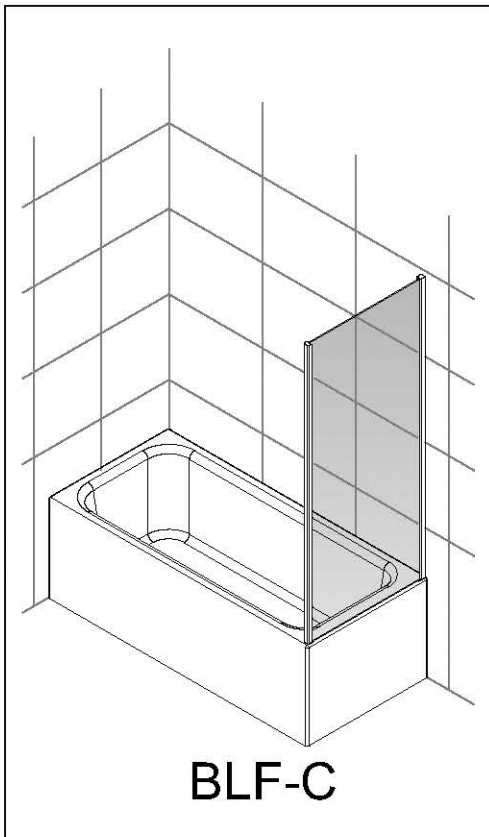


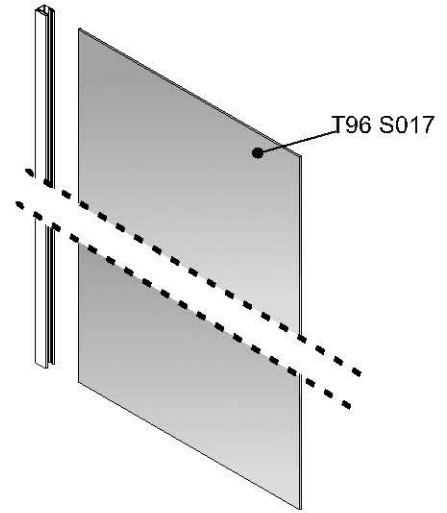
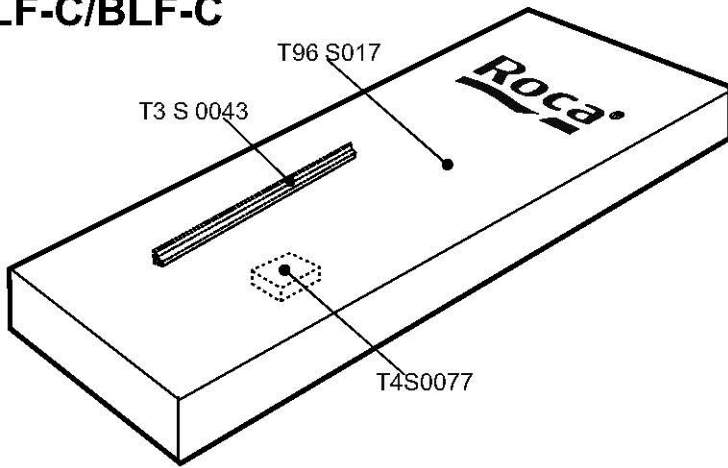


Roca




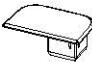



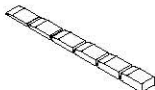



EASY LF-C/BLF-C




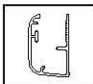
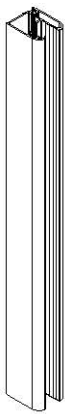
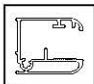
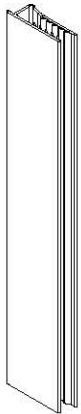
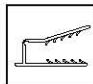
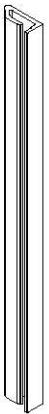
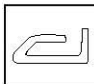
LF-C/BLF-C



T4S0077

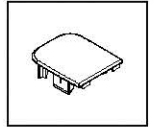
T2 00002	 x4	 $\varnothing 6$ x4	 $\varnothing 9$ x4
T2 00094	 x1	 x1	 x4
T2 00097	 x2	 x2	
T2 00052	 x4	 x4	 $\varnothing 3$ x1

T3 S 0074

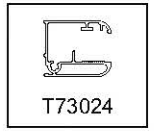
		x1 T73027
		x1 T73024
		x2 T520501
		x2 T520502

1

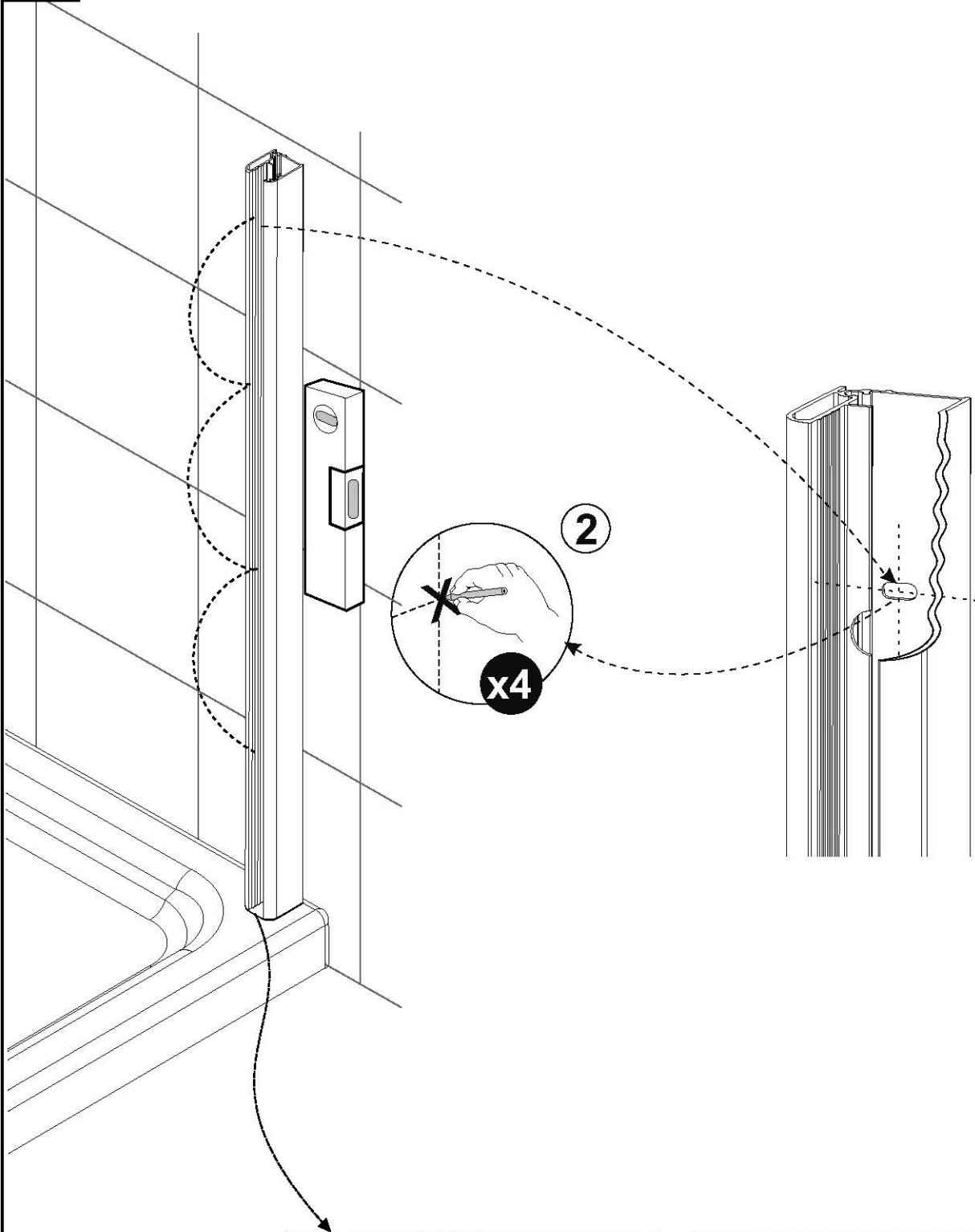
T2 00097



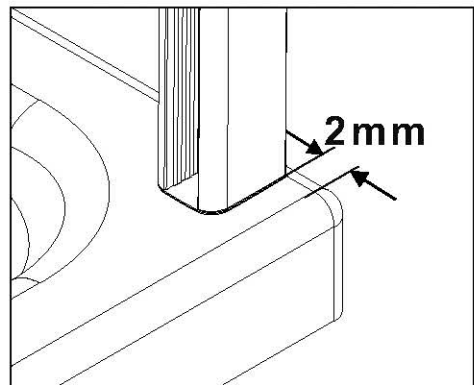
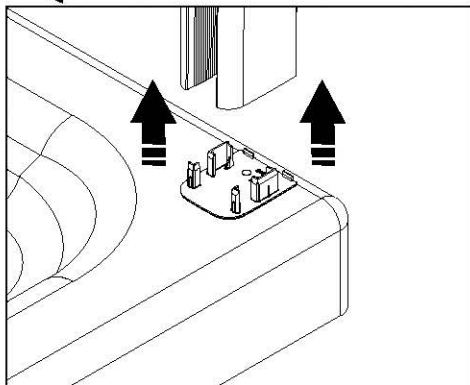
T3S0074



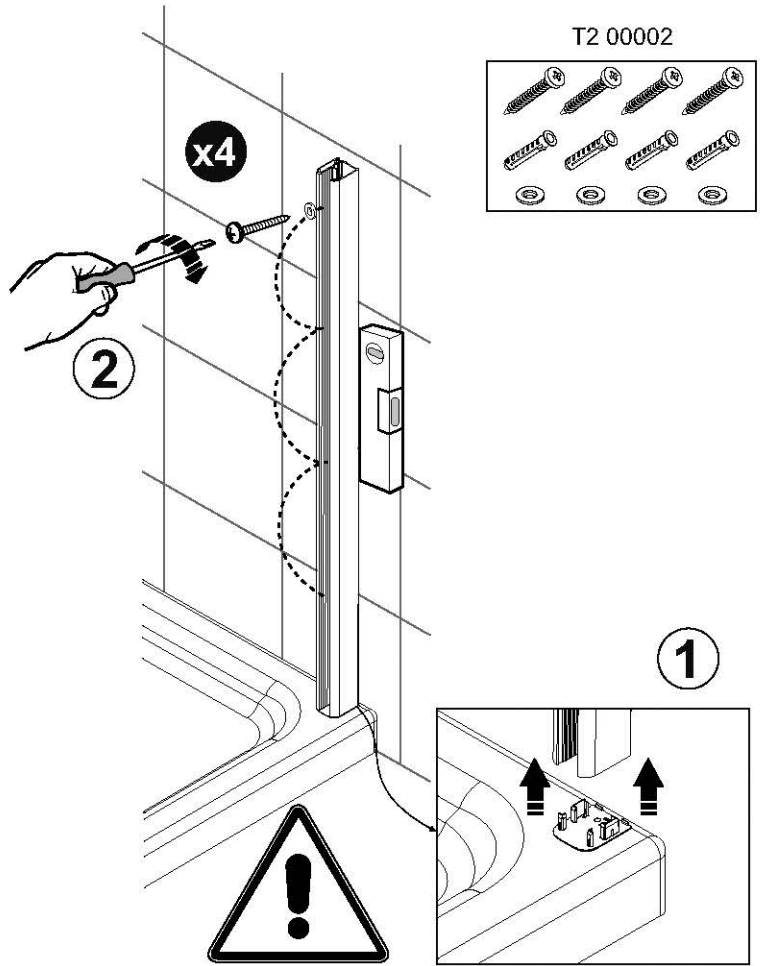
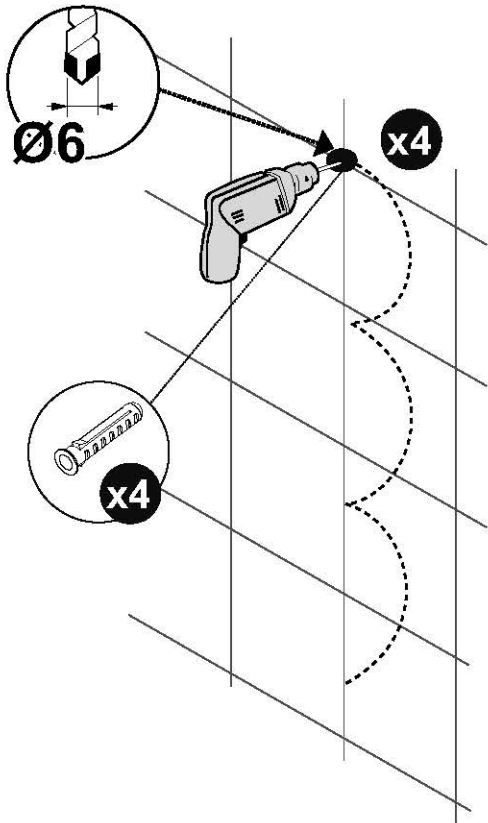
T73024



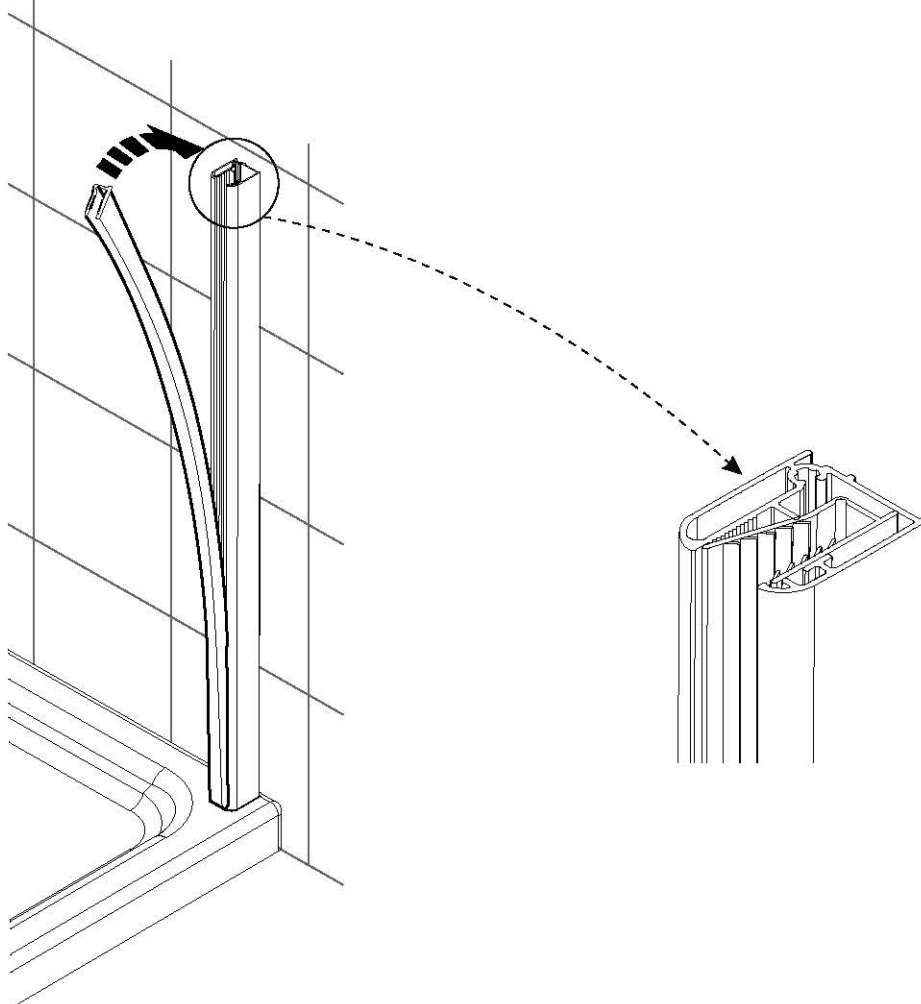
1



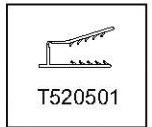
2



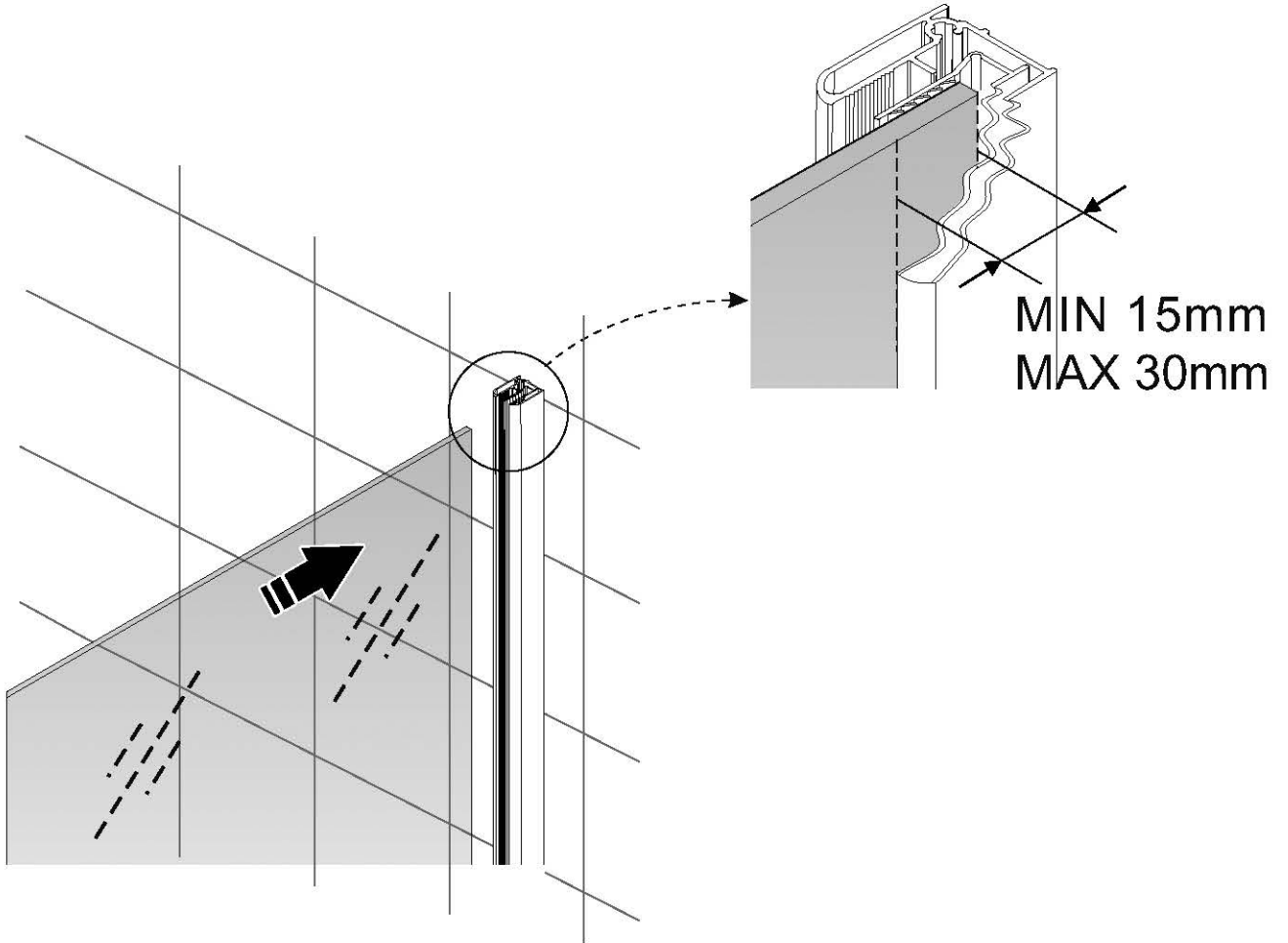
3



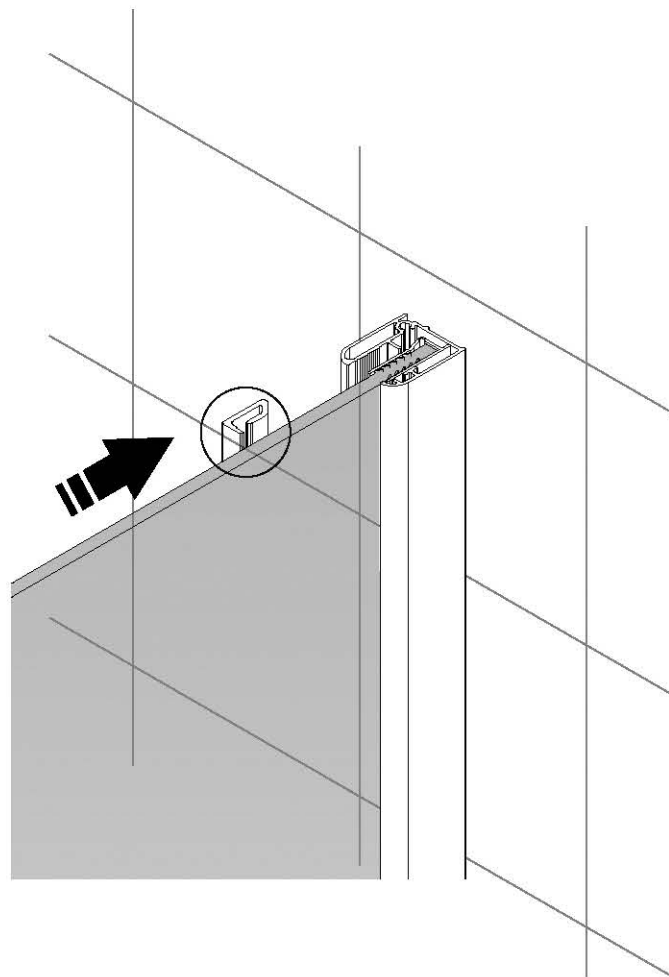
T3S0074



4



5

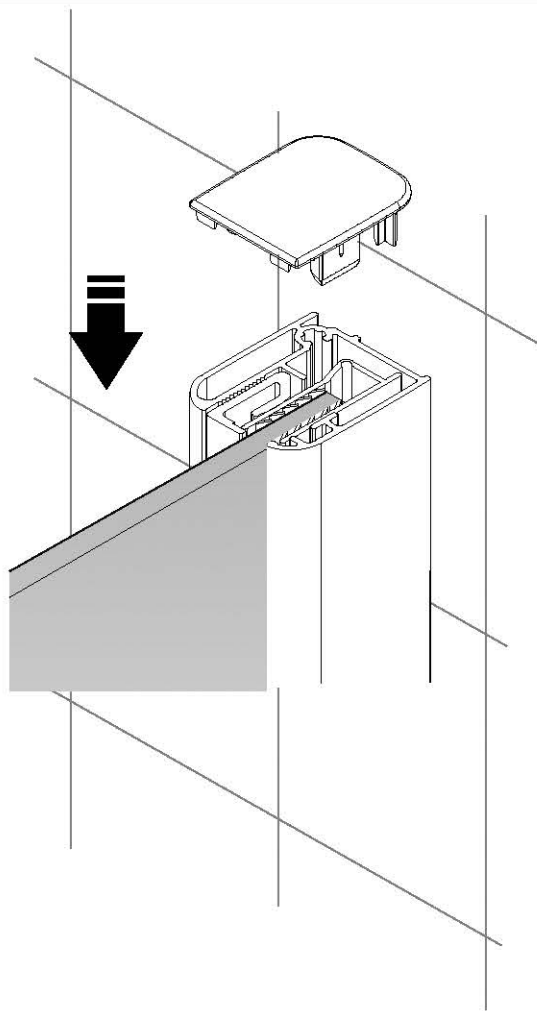


T3S0074

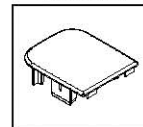


T520502

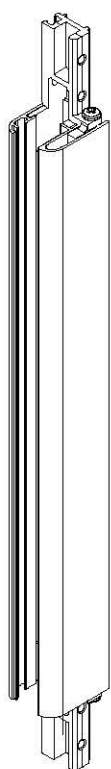
6



T2 00097



7



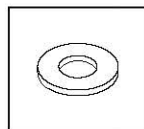
1



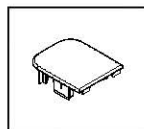
2



T2 00052



T2 00097



T2 00052

3.5x9.5



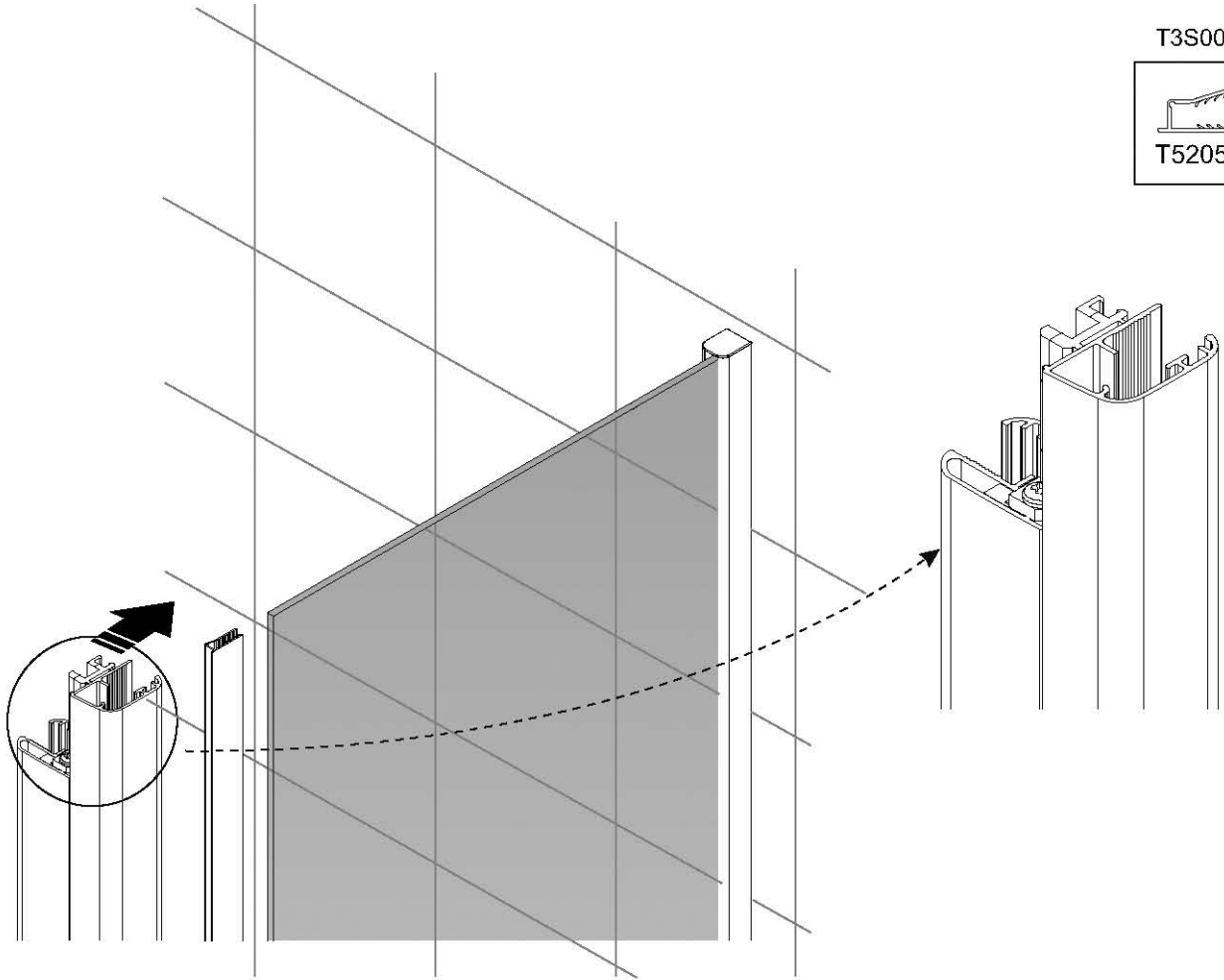
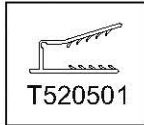
T2 00094



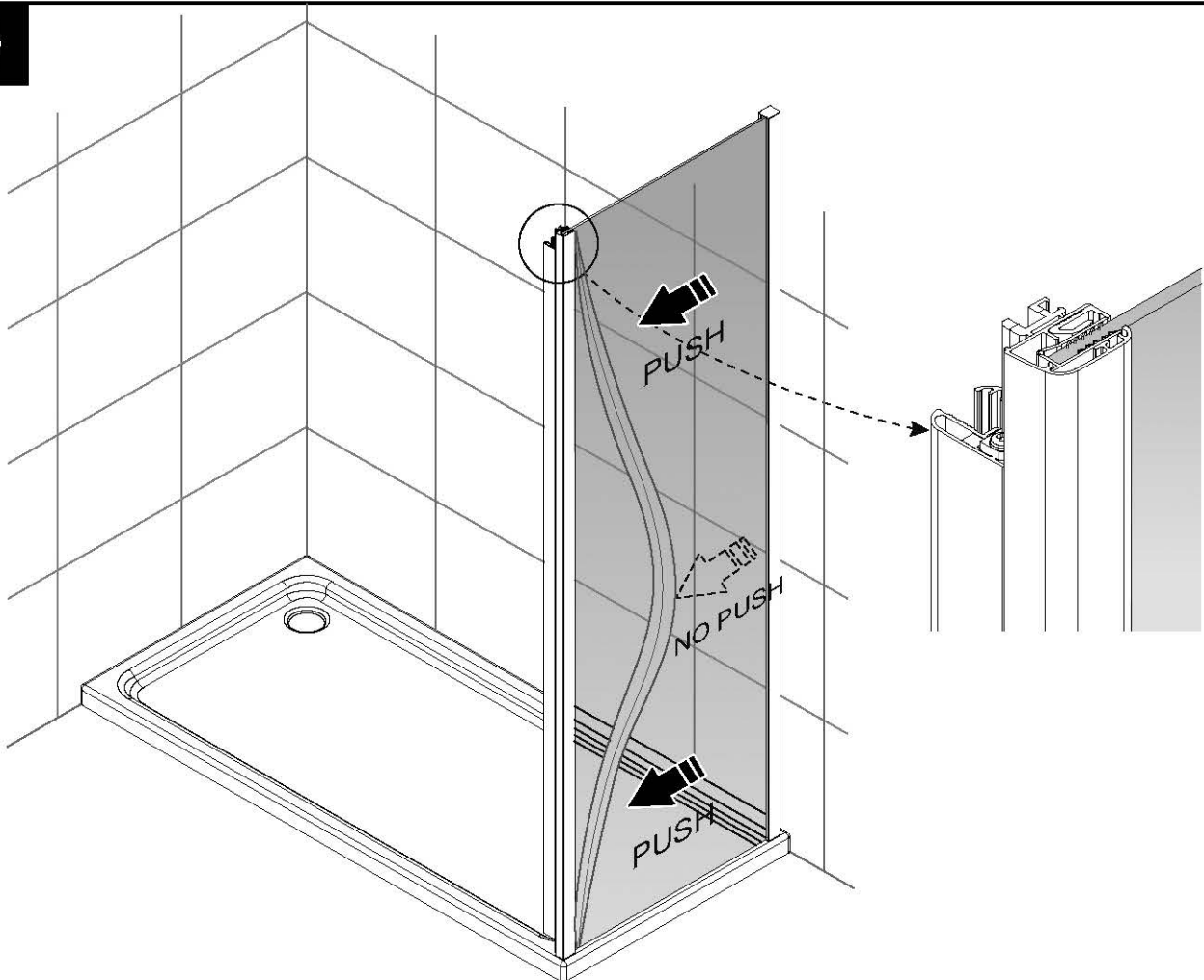
T5100175

8

T3S0074

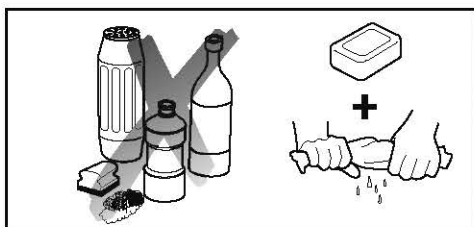


9





10 H



Roca Sanitario, S.A.

Avda. Diagonal, 513
08029 Barcelona - SPAIN
Teléfono 93 366 1200
Fax 93 419 4501
www.roca.es

Roca

**902
304
848**  **LÍNEA DE
ATENCIÓN AL
CONSUMIDOR
ESPAÑA**



V0

5430161