

Mixer Tap Geo 8454 000

Mixer Taps

Code: 8454 000



DETAILS

Material Brass

Texture Chromed

Rotating angle 360°

Strengthening plate ø55mm

Cartridge With ceramic discs

Mixer hole ø35mm

Max worktop thickness 40mm

Mixer type Single lever mixer tap with rotating barrel.

FEATURES

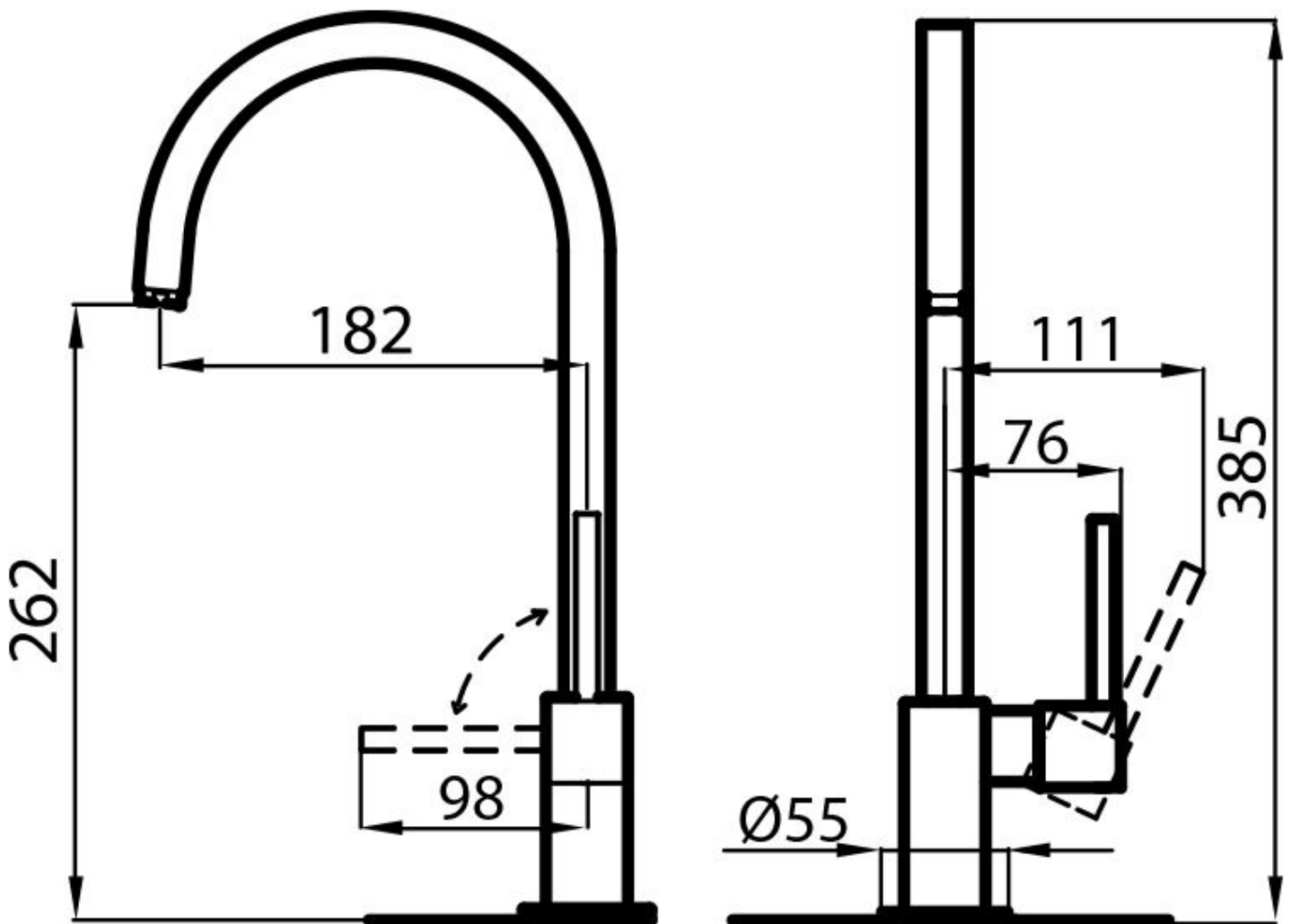
Rotating angle

All the taps have a wide angle of rotation. Some models even permit a full 360° rotation.

Strengthening plate

Foster's mixer taps are equipped with the strengthening plate that offers perfect stability on any sink.

TECHNICAL DATA



GALLERY

