

# Инструкция по эксплуатации

Листогиб ТАРСО МАХ 20 INT L 14 11370NA

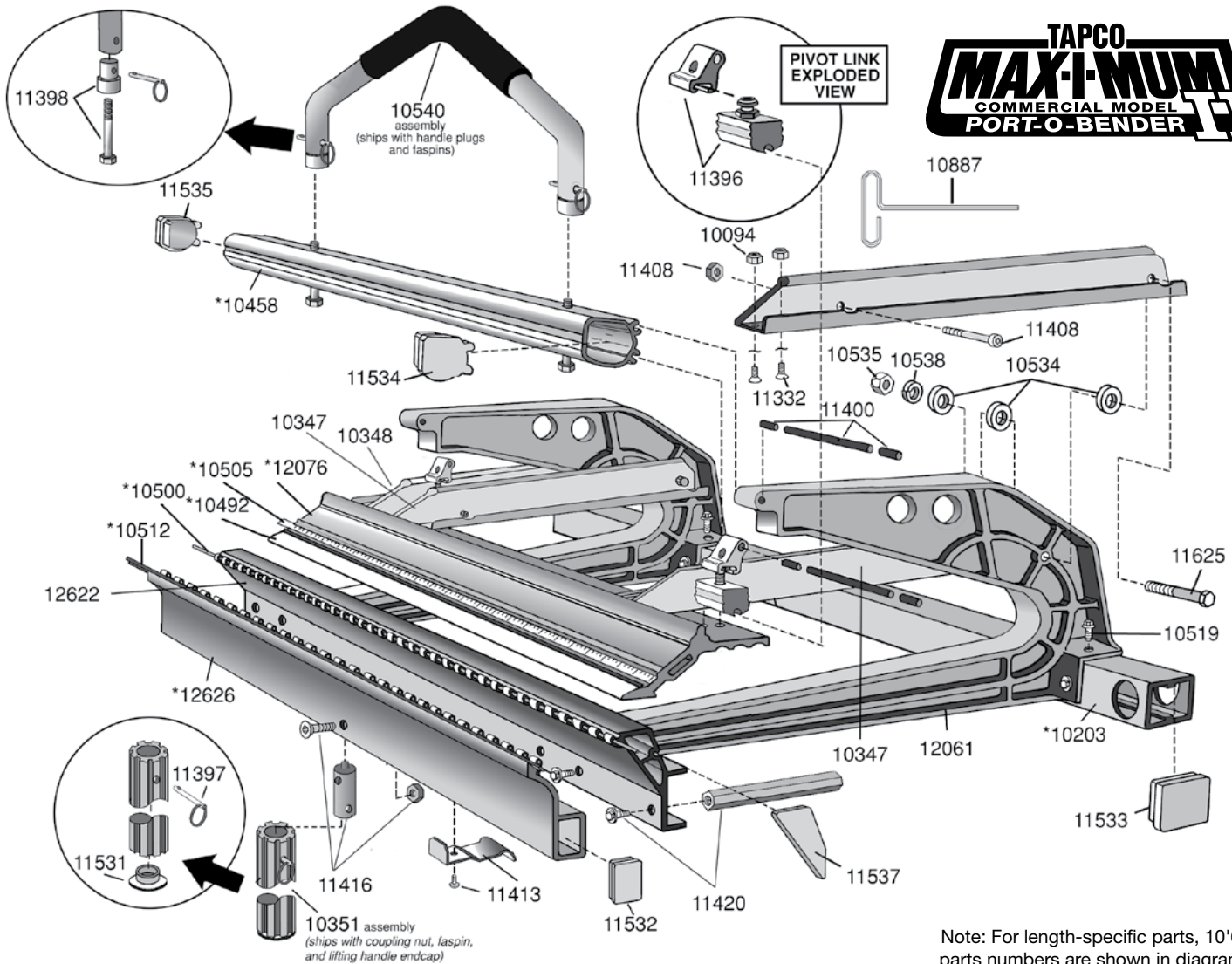
**Цены на товар на сайте:**

[http://www.vseinstrumenti.ru/stanki/gibochnye/listogibochnye/tapco/stanok\\_tapco\\_max\\_20\\_int\\_l\\_14\\_11370n/](http://www.vseinstrumenti.ru/stanki/gibochnye/listogibochnye/tapco/stanok_tapco_max_20_int_l_14_11370n/)

**Отзывы и обсуждения товара на сайте:**

[http://www.vseinstrumenti.ru/stanki/gibochnye/listogibochnye/tapco/stanok\\_tapco\\_max\\_20\\_int\\_l\\_14\\_11370n/#tab-Responses](http://www.vseinstrumenti.ru/stanki/gibochnye/listogibochnye/tapco/stanok_tapco_max_20_int_l_14_11370n/#tab-Responses)

# TAPCO MAX-I-MUM COMMERCIAL MODEL PORT-O-BENDER II



Note: For length-specific parts, 10'6" parts numbers are shown in diagram.

Item #	Description
10094	¼-20 Hex Flange Nut
12625	8'6" Moving Hinge
12626	10'6" Moving Hinge
12627	12'6" Moving Hinge
12628	14'6" Moving Hinge
12621	8'6" Base Hinge
12622	10'6" Base Hinge
12623	12'6" Base Hinge
12624	14'6" Base Hinge
10201	8'6" Back Rail
10203	10'6" Back Rail
10205	12'6" Back Rail
10207	14'6" Back Rail
10347	Left Pivot Arm
10348	Right Pivot Arm
10351	Lifting Handle Assembly
10454	8'6" Locking Handle
10458	10'6" Locking Handle
10462	12'6" Locking Handle
10464	14'6" Locking Handle
10491	8'6" Stainless Edge
10492	10'6" Stainless Edge
10493	12'6" Stainless Edge
10494	14'6" Stainless Edge
10499	8'6" Hinge Pin
10500	10'6" Hinge Pin
10501	12'6" Hinge Pin
10502	14'6" Hinge Pin

Item #	Description
10504	12'6" Tape Measure
10505	10'6" Tape Measure
10506	8'6" Tape Measure
12369	14'6" Tape Measure
10511	8'6" Vinyl Strip
10512	10'6" Vinyl Strip
10513	12'6" Vinyl Strip
10514	14'6" Vinyl Strip
10519	¼-20 x ¾" Hex Wash HD Screw
10534	3/8" Flat Washer
10535	3/8-16 Nylock Hex Nut
10538	3/8" Lock Washer
10540	Hemming Handle Assembly
10887	T-Handle Hex Key
11332	Screw ¼-20 x 7/8" Flat HD Screw
11396	Pivot Link Assembly Kit (6) upper link 10521 (6) lower link 10381
11397	¼" x 1 ¼" Faspin Kit (4) Faspin 10539
11398	Hemming Handle Plug Kit (2) Hemming Handle Plug 10531 (2) 3/8-16 2 ½ Bolt 10536
11400	Locking Handle Pin Kit (10) Pin 10508 (20) Keeper 10530
11408	Bolt and Nut Kit (5) ¼-20 x 2 ½" Bolt 10503 (5) ¼-20 Nylock Nut 10520

Item #	Description
11413	Hinge Clip Kit (1) Hinge Clip 10542 (1) 10-24 ½ Phil Pan Hd Screw 10515
11416	Max Handle Plug Kit (2) Max Lifting Handle Plugs 10209 (2) ¼-20 x 1 ½" Bolt 10518 (2) ¼-20 Nylock Nut 10520
11420	Coupling Nut Kit (2) Coupling Nut 10349 (2) ¼-20 x ¾" Screw 10519
11531	Lifting Handle Cap
11532	Moving Hinge Cap
11533	Back Rail Cap
11534	Right Locking Handle Cap
11535	Left Locking Handle Cap (not shown)
11536	Left Base Hinge Cap
11537	Right Base Hinge Cap (not shown)
11625	3/8-16 3 ¼" Hex Cap Bolt
12042	10'/12' Max-II Parts Bag
12055	8' Max-II Parts Bag
12056	14' Max-II Parts Bag
12061	Pro 2000 C Casting
12075	8'6" Locking Anvil
12076	10'6" Locking Anvil
12077	12'6" Locking Anvil
12078	14'6" Locking Anvil