



Name: URBAN - 03

Design: Joana Bover / 2011

Typology: Pendant lamp

Environment: Indoor

Technical description

Ceiling lamp releasing diffused light through a chrome fixture with hand wrapped translucent polyester blend ribbon. The frosted methacrylate diffuser is included, and clients can choose among white, cream, red or black ribbon options. The Urban features a dimmable ballast that allows the light brightness to be regulated.



Lamps description

⚡ Earthing: compulsory

⚠ Ready for mounting on normally flammable surface

⚡ 6 x 36 W 2G11

Voltage: 230V-50Hz

📦 1 Box 125 x 125 x 45 cm

Vol.: 0,7031 m³

Weight: 36 kg

Certifications:  

Ref

Finishings

410332506-B chrome-white translucent ribbon

410332506-C chrome-cream translucent ribbon

410332506-R chrome-red translucent ribbon

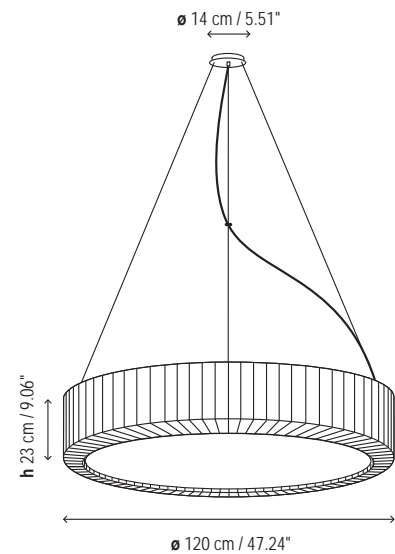
D410332506-B dimming ballast
chrome-white translucent ribbon

D410332506-C dimming ballast
chrome-cream translucent ribbon

D410332506-R dimming ballast
chrome-red translucent ribbon

Customizable

Measures (Available in more sizes)



Project information

Project name: _____

Approved by: _____

Fixture type: _____

Date: _____

Location: _____

Prepared by: _____

Comments: _____

Prepared for: _____

Photometrics