

VOLA 5100, 5100X, 5200V, 5300
 VOLA 5400DV, 5400V, 5400NV & A3/A4
 VOLA 5400TV, 5400FV, 5400RV & A3/A4
 VOLA 5600V & A3/A4



Fitting instruction
 Montageanleitung
 Monteringsvejledning

Monteringsvågledning
 Montage hanleiding
 Manuel de montage



www.vola.com
 5000_V2_40998504



VR968: To be ordered separately.
 Werden separat bestellt.
 Bestilles separat.
 Beställs separat.
 Apart te bestellen.
 À commander séparément.

A Max.: 10 Bar/145 psi
 Max. 65°C, 150°F

USA: Minimum flow rate: 1.8 gpm.
 AUS - Hot water inlet: Max. 50°C, 122°F. (AS 4032)

Data, l/min. / (Gpm) 3 Bar/43.5 Psi:

5100/5200V/5300: **A** 5400/5600A3: **A** - **C**
 5400/5600: **A** - **B** 5400/5600A4: **A** - **D**

| 5400 5600 | 5400A3 5600A3 | 5400A4 5600A4 | | | | | | | | |
|--------------|------------------|------------------|----------|----------|----------|----------|----------|----------|----------|----------|
| 2 | 2 | 2 | A | M | B | M | C | M | D | |
| 3 | 3 | 3 | 32/(8.5) | 16/(4.2) | - | - | - | - | - | - |
| - | Out 2 | Out 2 | - | - | 32/(8.5) | 16/(4.2) | - | - | - | - |
| - | Out 3 | Out 3 | - | - | - | - | 32/(8.5) | 16/(4.2) | - | - |
| - | - | Out 4 | - | - | - | - | - | - | 16/(4.2) | 32/(8.5) |

B Check the local legislation.
 Bitte die örtlichen Vorschriften überprüfen.
 Tjek de lokale regler.
 Kontrollera lokala föreskrifter
 Nazitten lokale regelgeving.
 Vérifiez la législation locale.

**!DO NOT!
 !REMOVE!**

C

Box till inbyggnadsblandare.
 Boks til indbygningsblander.
 Laatikko seinäasenteiselle sekoittajalle.

Ingår inte i leveransen, köps separat.
 Ikke inkludert, kjøpes separat.
 Eivät sisälly tilaukseen, ostettava erikseen.

200M
 PEX1

Extension
 Verlängerung
 Forlængerdele
 Förlängning
 Aanpassing
 Modification

T Min. 3 mm
 Max 65 mm

Y Min. 48 mm
 Max. 110 mm

STD +10 +20 +30 +40 +50

DO NOT REMOVE

| T | Y | VR5250/VR5410/VR2019 |
|------------|-------------|----------------------|
| 3 - 15 mm | 110 - 98 mm | Std. |
| 15 - 25 mm | 98 - 88 mm | +10 |
| 25 - 35 mm | 88 - 78 mm | +20 |
| 35 - 45 mm | 78 - 68 mm | +30 |
| 45 - 55 mm | 68 - 58 mm | +40 |
| 55 - 65 mm | 58 - 48 mm | +50 |

Extension, retrofit
 Verlängerung, nachträglicher Einbau
 Forlængerdele, eftermontering
 Förlängning, eftermontering
 Aanpassing na montage
 Modification après installation

X 52 - 0 mm

X -15 - 0 mm

| X | VR5250/VR5410/VR2019 |
|-------------|----------------------|
| 37 - 49 mm | Std. |
| 27 - 37 mm | +10 |
| 17 - 27 mm | +20 |
| 7 - 17 mm | +30 |
| -3 - 7 mm | +40 |
| -13 - -3 mm | +50 |

Fitting of extension
 Montage von verlängerung
 Montering af forlængerdele
 Monterings av förlängning
 Montage van de verlengstukken
 Montage des rallonges

VR5250

VR2019+, VR2119+

12 mm

VR5410

5400:
 5600:

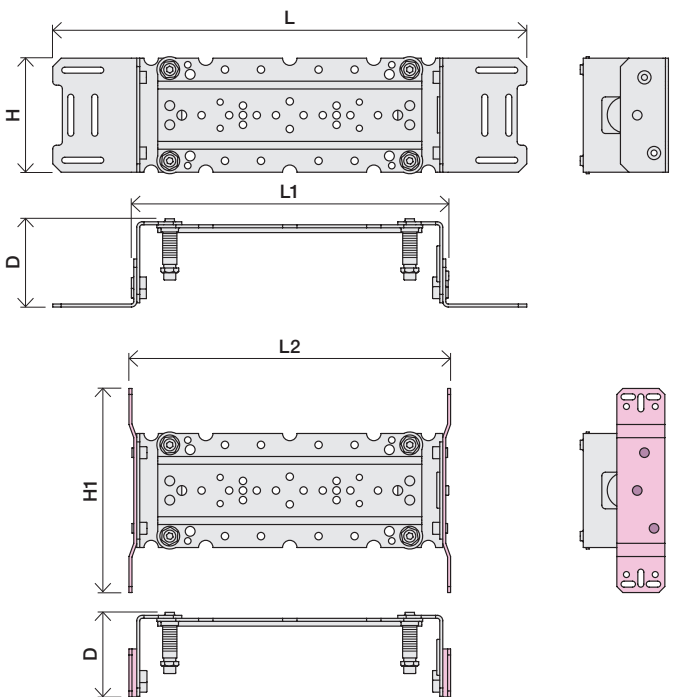
5400A3/A4:
 5600A3/A4:

5400/5600: 5400A3/ 5600A3: 5400A4:
 5600A4:

32 mm

14 mm

| | L | L1 | L2 | H | H1 | D |
|------------------------------------|-------------------|-------------------|-------------------|-----------------|------------------|-----------------|
| 5400DV | 395 mm 15 1/2" | 264 mm 10" | 268 mm 10" | 95 mm 3 3/4" | 170 mm 6 3/4" | 70 mm 2 3/4" |
| 5100, 5200V, 5300, 5400V, 5600V | 490 mm 19 1/2" | 359 mm 14" | 367 mm 14 1/2" | | | |
| 5100X, 5400NV, 5400TV | 570 mm 19 1/2" | 439 mm 17" | 447 mm 17 5/8" | | | |
| 5400FV, 5400RV | 649 mm 25 1/2" | 519 mm 20 3/8" | 522 mm 20 1/2" | | | |





2x13 mm Lightweight wall
 Leichtwand
 Let væg

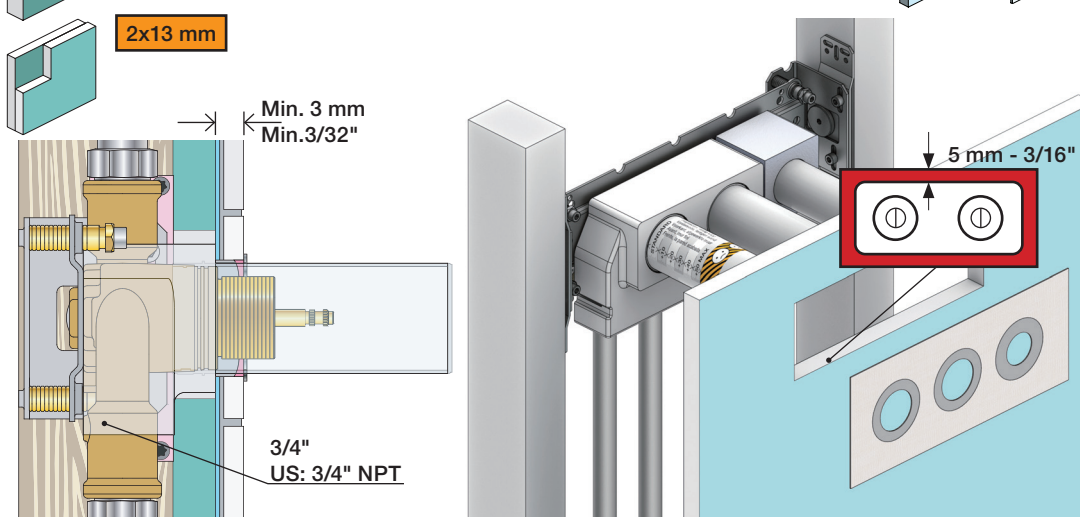
Lätta konstruktion
 Holle wandconstructie
 Construction légère



1x15 mm
1x18 mm
1x20 mm

Lightweight wall
 Leichtwand
 Let væg

Lätta konstruktion
 Holle wandconstructie
 Construction légère



Masonry
 Mauerwerk
 Murværk

Murverk
 Massieve wand
 Mur Plein



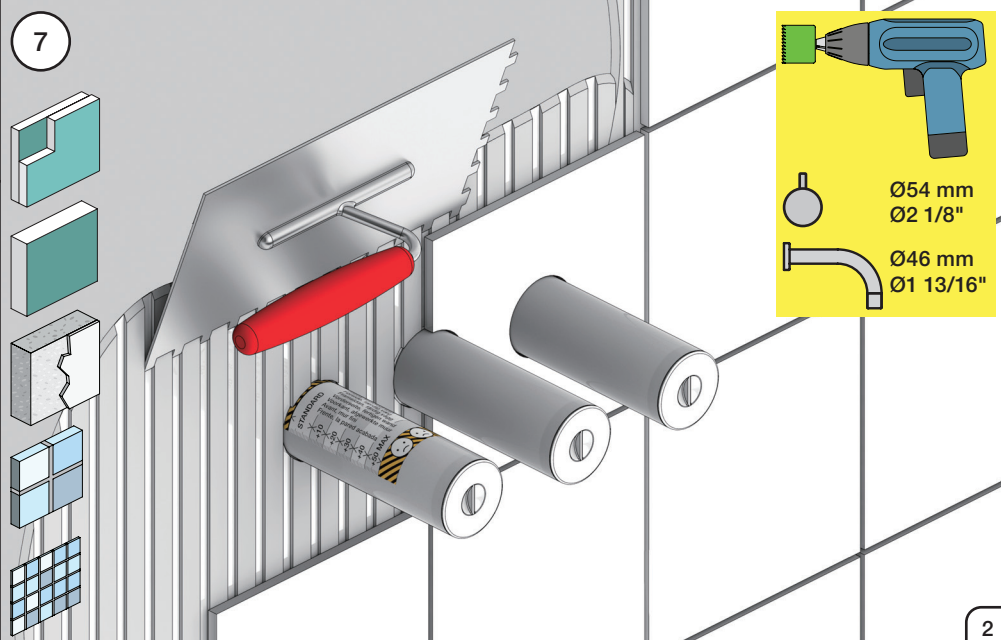
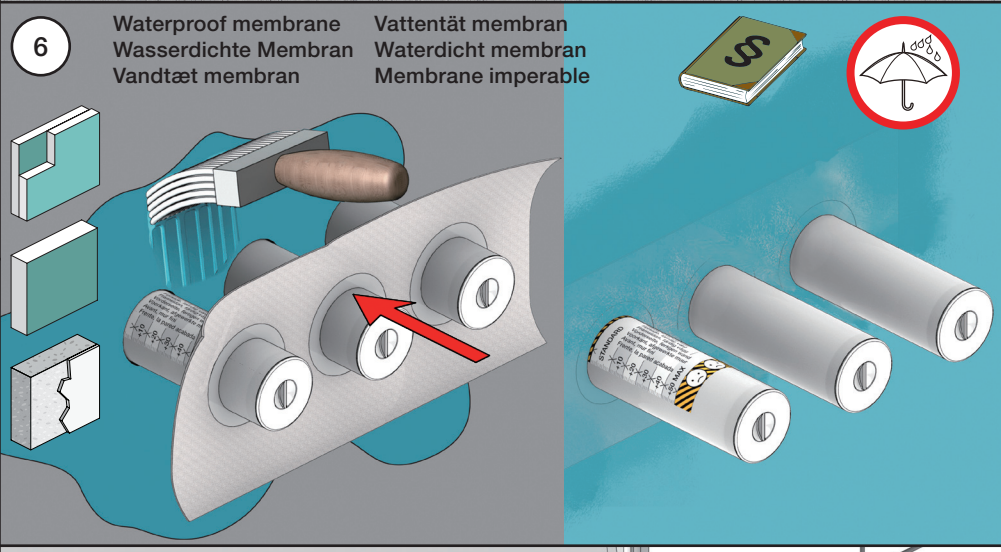
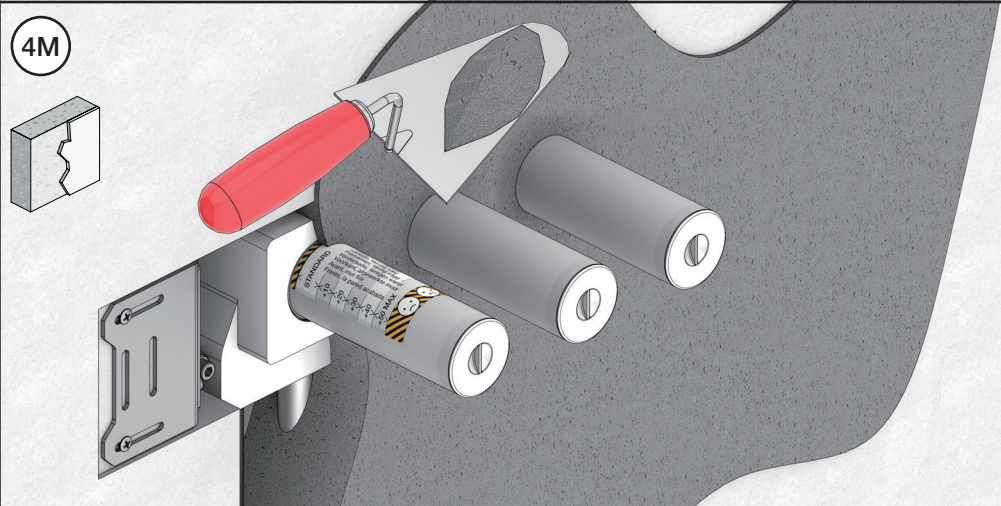
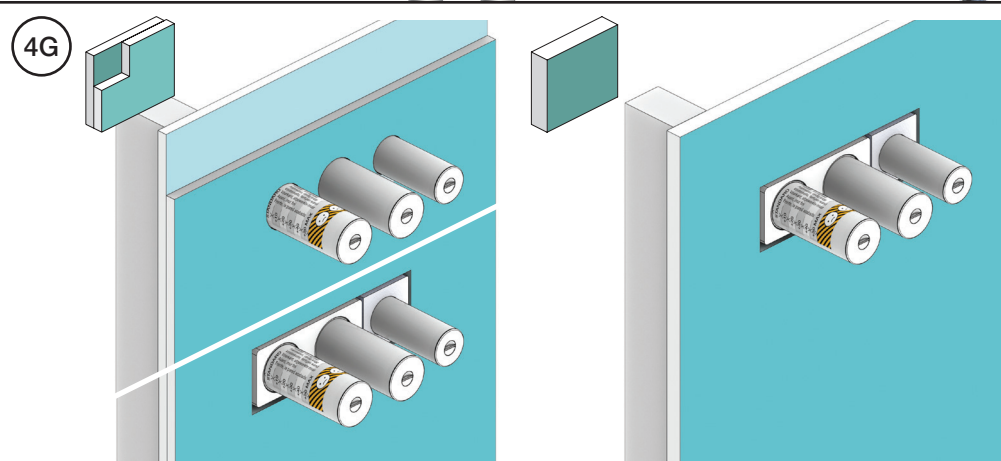
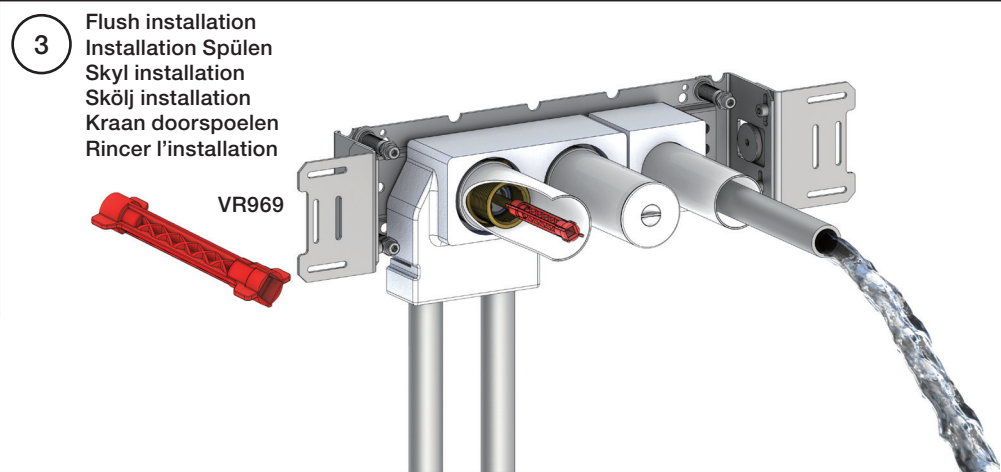
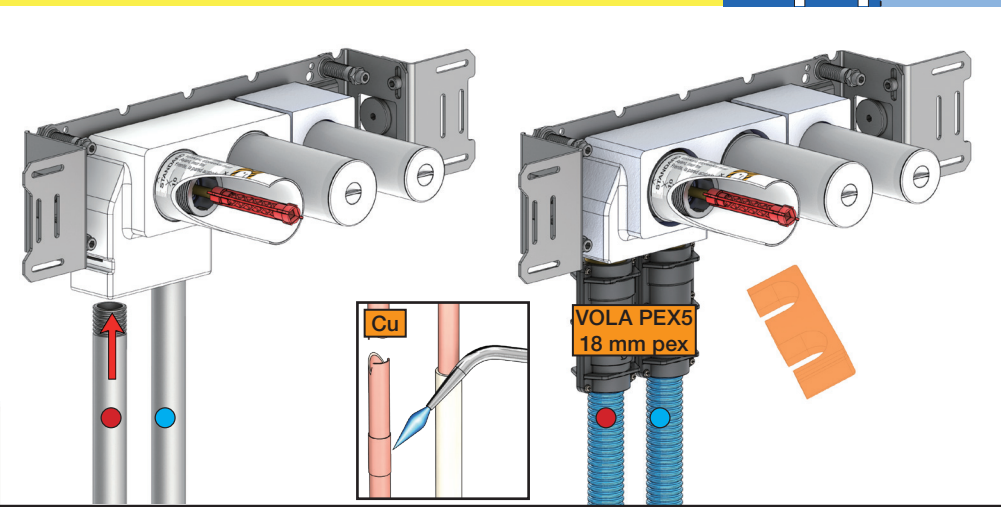
2 Test Pressure
 Prüfdruck
 testtryk
 Test tryk
 Test druk
 test de pression

Check the local legislation.
 Bitte die örtlichen Vorschriften überprüfen.
 Tjek de lokale regler.
 Kontrollera lokala föreskrifter.
 Nazitten lokale regelgeving.
 Vérifiez la législation locale.

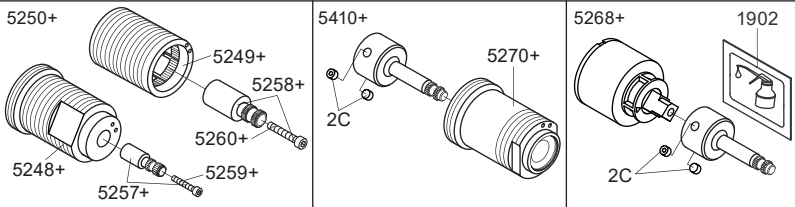
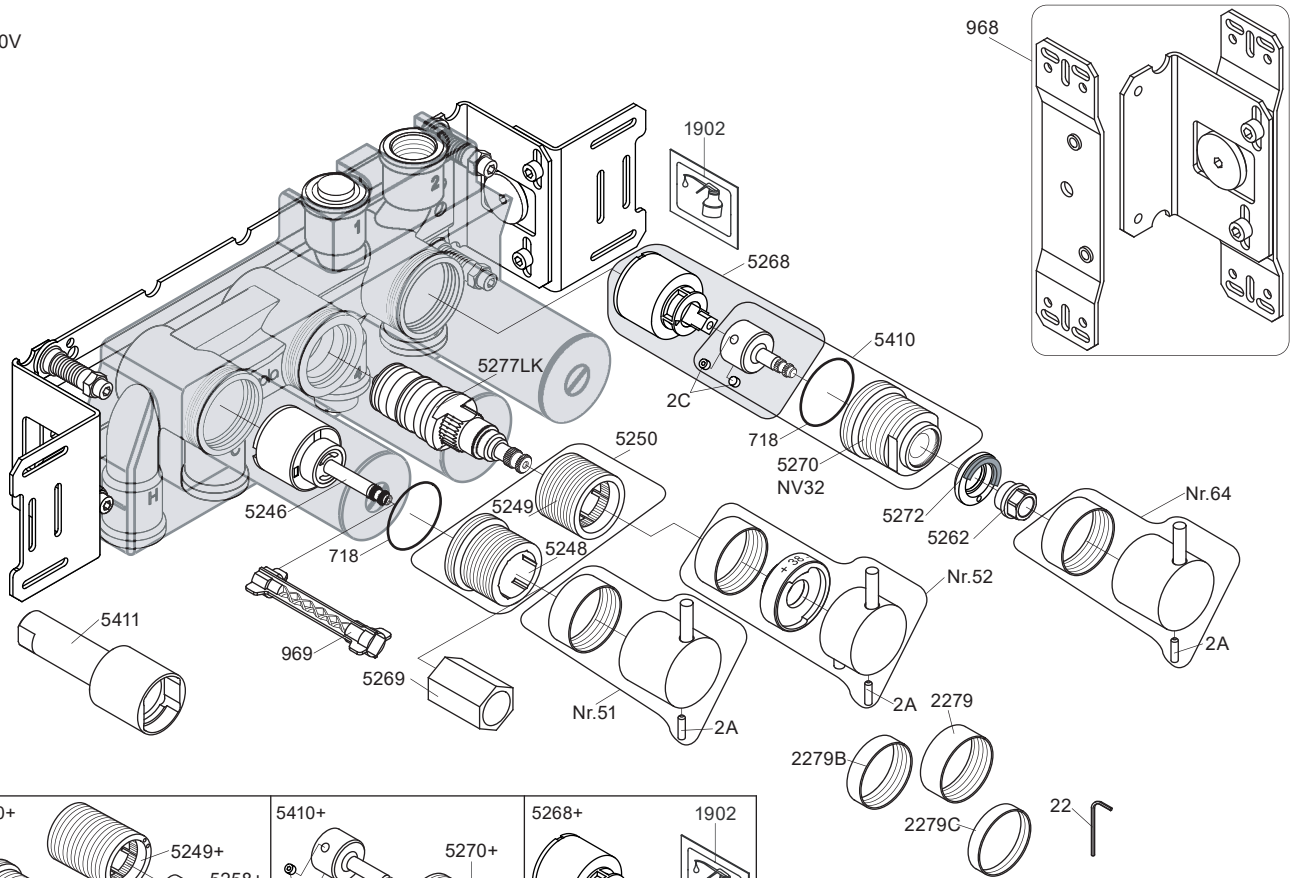
1. MAX. 16 Bar
 232 Psi

2. MAX. 4 Bar
 58 Psi

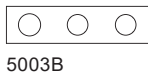
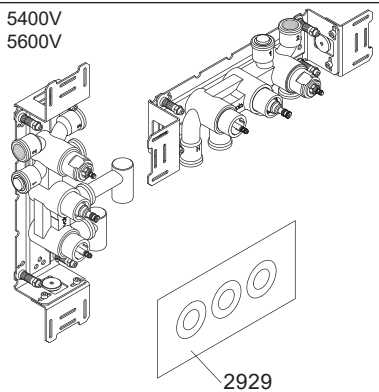
! Water - Wasser - Vand - Vatten - Water - Leau !
! MAX 1 Minute - Minut - Minuut !



5400V



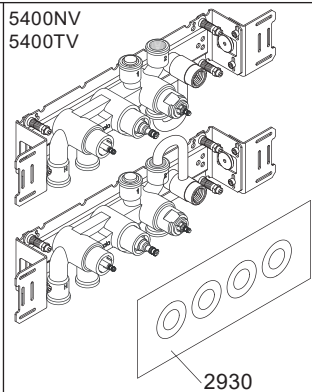
- NR51: VR5251, VR2279+B+C, VR2A
- NR52: VR5252, VR5253, VR5255, VR5256, VR2279+B+C, VR3113, VR2A
- NR64: VR5251, VR2279+B+C, VR2A
- VR5250+: VR5248+, VR5249+, VR5257, VR5258, VR5259, VR5260
- VR5257+: VR5257+, VR5259+
- VR5258+: VR5258+, VR5260+
- VR5268+: 2xVR2C, VR1902, VR5268
- VR5410+: 2xVR2C, VR718, VR5270+



5003B



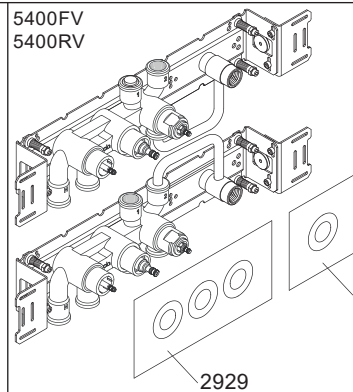
3x2001



5004B



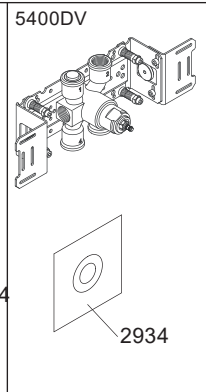
3x2001, 001



5004L



3x2001, 001



2934



2001



vola
Lunavej 2
DK-8700 Horsens
Tlf : + 45 7023 5500
sales@vola.com
www.vola.com

VOLA 5400V
5400FV, 5400NV
5400RV, 5400TV
5600V

Date
Apr. 21

Rev.
6

Sheet
SB 10.54