

## Hood Flat inox 2513 0\_1

Hoods

Code: 2513 0\_1

Code: 2513 061 60 cm

Code: 2513 091 90 cm

Code: 2513 021 120 cm



### DETAILS

Material	Stainless steel
Texture	Satin
Energy class	A
Product details	Undercabinet with optional telescopic chimney and stainless engine-cover
Grease filters	Grease filters: 1 filtre for 60 cm hood, 2 filters for 90 cm hood, 4 filters for 120 cm hood
Operation	Suction hood (filtering mode with optional carbon filters)
Air exhaust hole	ø 120/150 mm
Lighting	Strip LED lighting (4.200 kelvin)
Air flow rate	750mc/h

Motor power 275W

---

Hood type Built-in suction hood

---

Type of commands Easy electronic controls

---

Suction speed 4 operating speeds

---

Notes: Fume exhaust ducts must have an internal diameter not lower than 120 mm

---

## FEATURES

**Auto delayed shutdown** All the models with electronic interface can be programmed to turn off the suction at a postponed moment, so as to prolong the aeration of the room even after the cooking has been completed.

---

**Led lighting** Particular attention to energy saving with LED lighting systems. They assure a 10 times lower consumption and a 10 times longer duration. Our LED lights are designed to create an adequate comfort and safety in the cooking area.

---

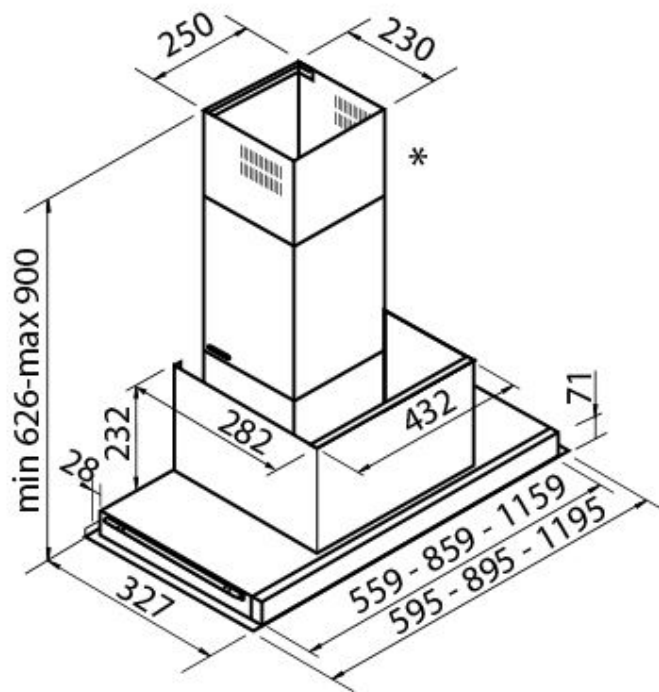
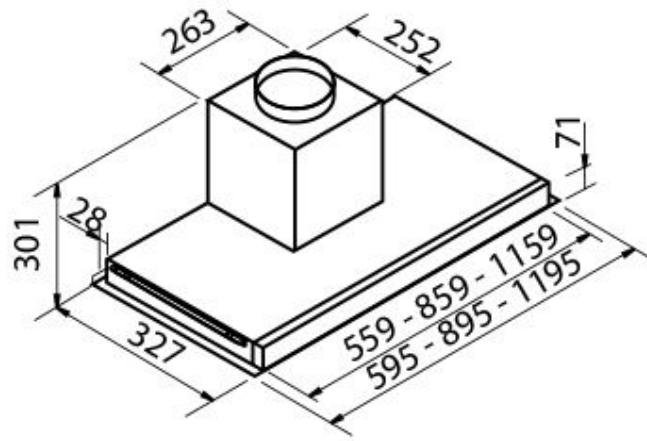
**Perimetric aspiration** The perimeter suction is a feature common to many Foster hoods. The filters are hidden by steel- or crystal plates and the suction occurs along their perimeter. This has aesthetic advantages but also functional ones: the cleaning is easier, the suction power and noise-level are improved. The depression which occurs in the perimeter area facilitates in fact the suction of the particles composing the fumes.

---

**Remote control** The ceiling suction systems and the Maya hoods are equipped with a remote control to easily activate all their functions from any position.

---

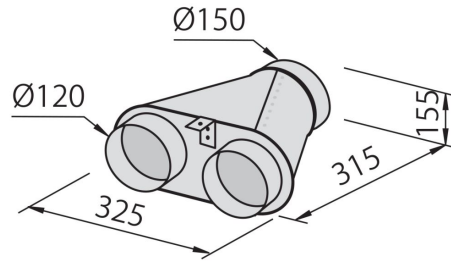
## TECHNICAL DATA



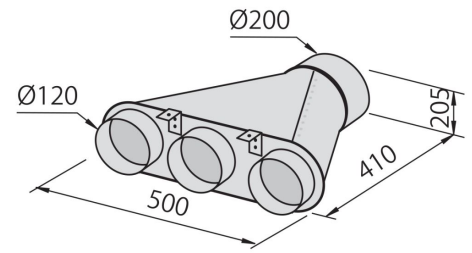
## OPTIONAL ACCESSORIES



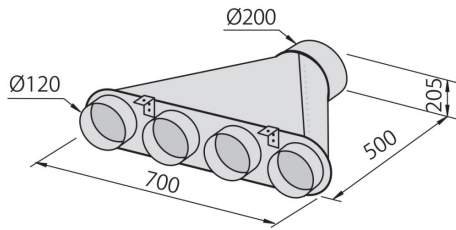
Carbon filter 9700 600



Collector for 2 pipes 2523 000



Collector for 3 pipes 2524 000



Collector for 4 pipes 2525 000



Flexible silencing canalization  
9700 602



Flexible silencing canalization  
9700 603



Stainless steel motor cover box  
2539 200



Stainless steel telescopic  
chimney 2539 000