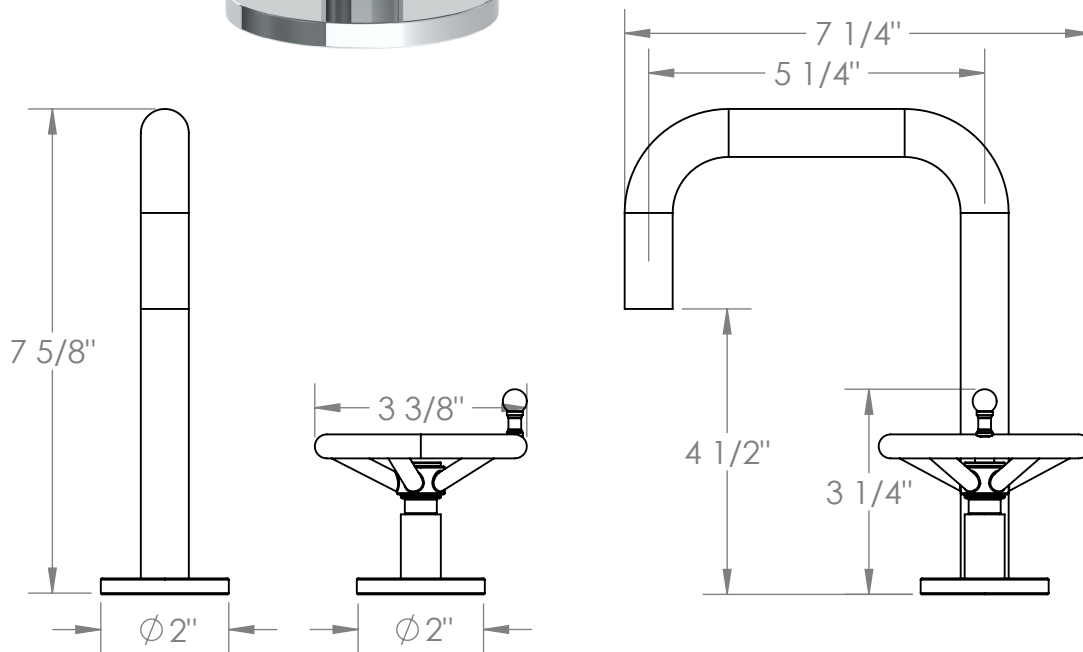


### 31-1.3X-BKA.1

Deck Mounted 2 Hole Extended Lavatory Set

Includes MPU5 Soft Touch Drain

Flow Rate: 1.2 GPM



Meets the applicable requirements of ASME A112.18.1-2005/CSA B125.1-05, entitled "Plumbing Supply Fittings"

# **WATERMARK** DESIGNS 8/21/2019

350 Dewitt Ave Brooklyn NY 11207 USA T 718 257 2800 F 718 257 2144 info@watermark-designs.com