

Features

- 13 effervescence ports deliver gentle, caressing bubbles.
- Variable-speed pump.
- Chromatherapy lighting allows you to select a preferred color scheme to suit your mood.
- Built-in heater.
- Remote control.
- Overflow channel for deep soak and unique infinity pool effect.
- Extra-spacious 8.3-foot design accommodates up to two bathers.
- Center drain.

Material

- Acrylic.

Hydrotherapy

- Effervescence.
- Chromatherapy.

Installation

- Drop-in.

Recommended Products/Accessories

K-1601 Bath/Whirlpool Footstop
K-7223 Pop-up Bath Drain
K-922 Wall- Or -Ceiling-Mount Bath Filler
K-923 Wall- Or -Ceiling-Mount Bath Filler
K-18486-4 Roman Bath Filler
K-23726 Drain treatment
K-23732 Tub & shower cleaner



Codes/Standards

ASME A112.19.7/CSA B45.10
CSA B45.5/IAPMO Z124
ASTM E162
ASTM E662
UL 1795
CSA C22.2 No. 218.2



**KOHLER® Plastic Baths and Receptors
Lifetime Limited Warranty
KOHLER® Hydrotherapy Components
Five-Year Limited Warranty**

See website for detailed warranty information.

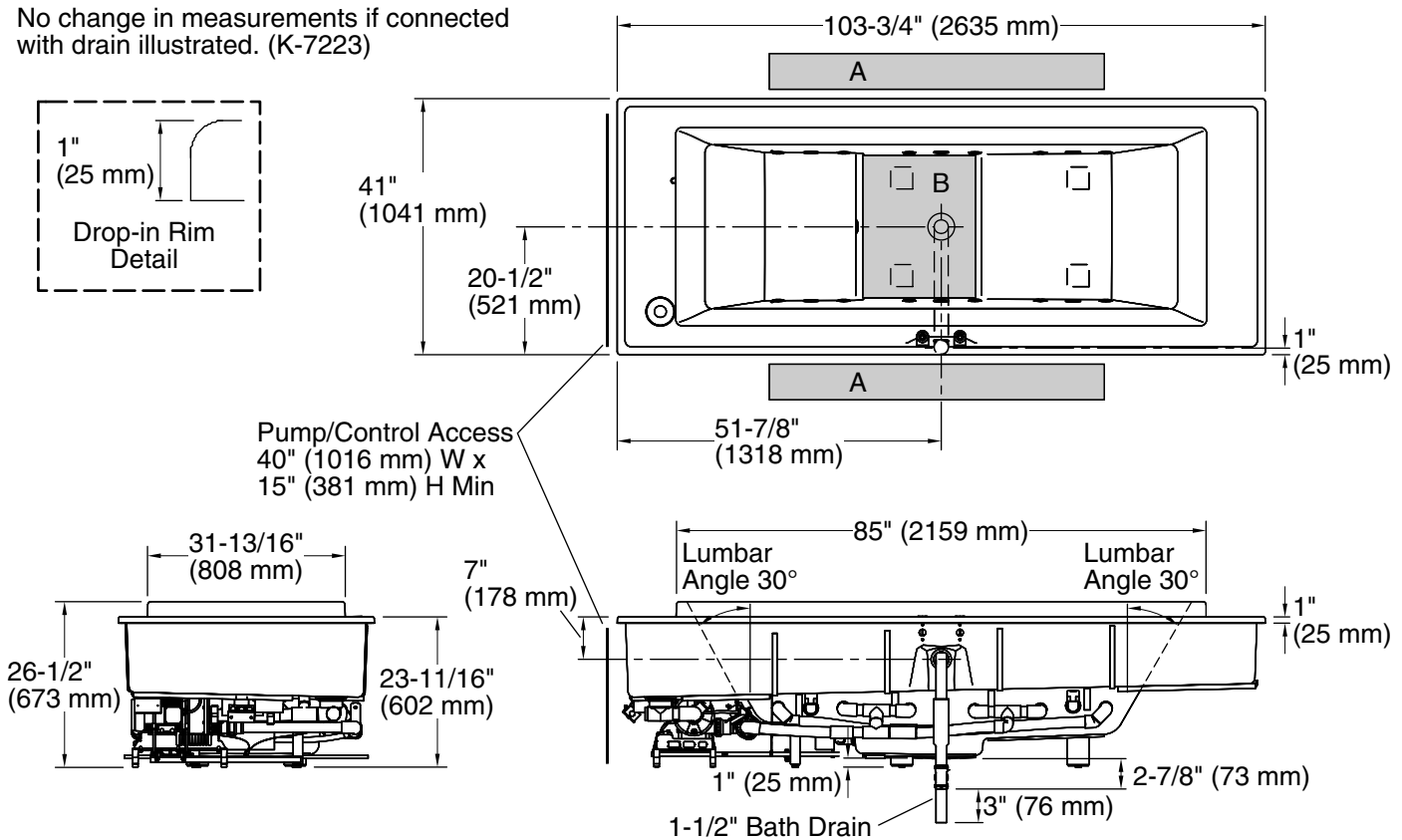
Available Colors/Finishes

Color tiles intended for reference only.

Color	Code	Description
-------	------	-------------

	0	White
	96	Biscuit

No change in measurements if connected with drain illustrated. (K-7223)



Required Electrical Service

Two dedicated circuits required, protected with Class A Ground-Fault Circuit-Interrupter (GFCI). Outside North America, this device may be known as a Residual Current Device (RCD).

Pump: 240 V, 20 A, 50/60 Hz
Heater: 240 V, 20 A, 50/60 Hz

Technical Information

All product dimensions are nominal.

Installation: Drop-in
Drain location: Center
Basin area, bottom: 60" x 25-1/2" (1524 mm x 648 mm)
Basin area, top: 84" x 31-1/2" (2134 mm x 800 mm)
Weight: 375 lbs (170.1 kg)
Minimum floor load: 66 lbs/ft² (322.2 kg/m²)
Water depth: 24-5/8" (625 mm)
Water capacity: 185 gal (700.3 L)
Cutout: Drop-in, 102-1/4" x 40" (2597 mm x 1016 mm)
Electrical component rating: Pump: 240 V, 4 A, 50/60 Hz
Heater: 240 V, 15 A, 50/60 Hz, 4000 W
Pump speed: Variable

Notes

Measure your actual product for rough-in details. Install this product according to the installation instructions.

The hot water supply should be 70% of the capacity of the bath or greater. Installations will vary.

Recommended spouts for area A: K-T954-4, K-T6906, K-18486-4, K-922 and K-924, or K-923 and K-924.

Recommended spouts for area B: K-922 or K-923.

Unit must be filled through the bathing well.

Consult local and national codes for minimum air gap requirements when installing a spout on the faucet deck.