



Name: CALA - S

Design: Jordi Llopis / 2011

Typology: Pendant lamp

Environment: Indoor

**Technical description:**

Pendant lamp emitting diffused light from both upper and lower frosted convex glass diffusers. Cala features a polyurethane shade with a lacquered, high gloss finish, available in white, black and red. Additional colors may be available upon request. All diffusers are included with fixture. Height is adjustable with tensor wire. Electrical cable visibly extends from above.



**Lamps description**

Earthing: excluded

Ready for mounting on normally flammable surface

4 x 42 W Classic P ECO E-27

4 x 22 W E-27

Voltage: 230V~50Hz

1 Box 60 x 60 x 40 cm

Vol.: 0,1440 m<sup>3</sup>

Weight: 11 kg

Certifications: Intertek 4006618

**Ref**

**Finishings**

4132601 white brilliant lacquer

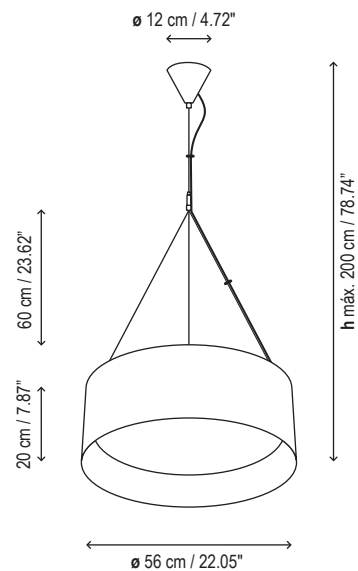
4132623 black brilliant lacquer

4132622 red brilliant lacquer

All pendant lamps include 3m. of tensor cable.

**Not Customizable**

**Measures**



**Project information**

Project name:

Approved by:

Fixture type:

Date:

Location:

Prepared by:

Comments:

Prepared for:

**Photometrics**